

TRIPAC FIG. TP-102 WELD LESS EYE ROD

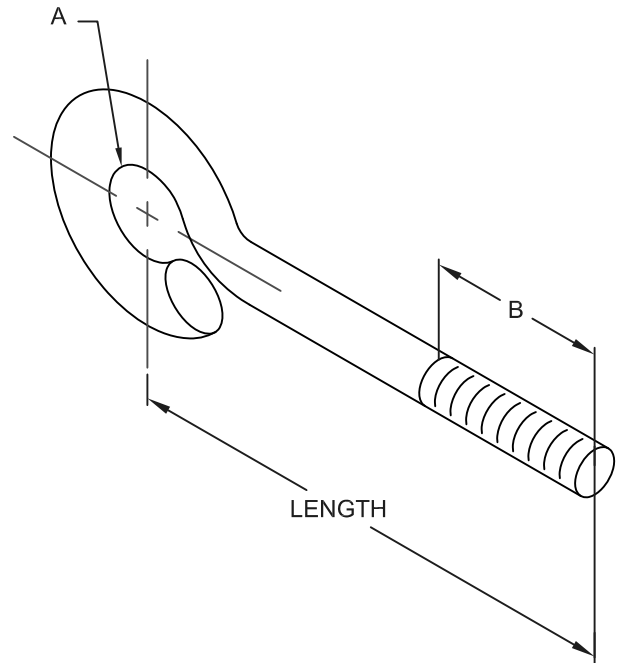
SIZE RANGE-3/8" THRU 2-1/2" ROD

SERVICE-DESIGNED FOR USE AS SUPPORT HANGER ROD THAT MAY BE ATTACHED DIRECTLY TO STRUCTURE OR TO OTHER PIPE SUPPORT PRODUCT.

MATERIAL-CARBON STEEL, T-304 AND T-316

FINISHES-PLAIN, ELECTRO-GALVANIZED, HDG

NOTE-"A" DIMENSION SHOULD BE 1/16" LARGER THAN FASTENER. PLEASE NOTIFY FACTORY IF LARGER "A" DIMENSION IS NEEDED.



DIMENSIONS & WEIGHTS

| ROD SIZE | A | B | MAX. REC. LOAD lbs. FOR SERVICE TEMPS. 650°F / 343°C |
|----------|--------|--------|---|
| 3/8" | 7/16" | 2-1/2" | 210 |
| 1/2" | 9/16" | 2-1/2" | 395 |
| 5/8" | 13/16" | 2-1/2" | 630 |
| 3/4" | 1" | 3" | 945 |
| 7/8" | 1-1/8" | 3-1/2" | 1315 |
| 1" | 1-1/4" | 4" | 1735 |
| 1-1/4" | 1-1/2" | 5" | 2800 |
| 1-1/2" | 2" | 6" | 4070 |
| 1-3/4" | 2-1/4" | 7" | 5490 |
| 2" | 2-1/2" | 8" | 7240 |
| 2-1/4" | 2-3/4" | 9" | 9520 |
| 2-1/2" | 3" | 10" | 11725 |

TRIPAC

475 KLUG CIRCLE • CORONA, CA 92880-6406
(951) 280-4488 • FAX: (951) 272-4445

A DIVISION OF TRIPAC MARKETING, INC.

WWW.TRIPACONLINE.COM