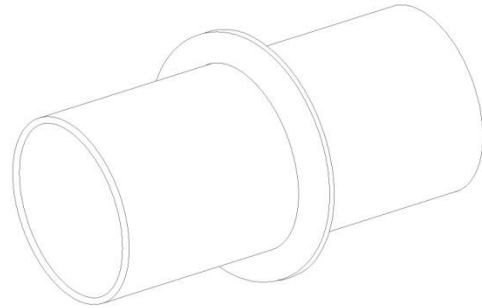


# SUBMITTAL

## STEEL WALL SLEEVES

Manufactured by TRIPAC.



## SPECIFICATIONS

- A36 STEEL
- 10" AND SMALLER ARE SCH 40 PIPE SEAMLESS
- 12" AND LARGER HAVE A STANDARD WALL THICKNESS OF 3/8"
- 2" STANDARD STEEL WATER STOP (WEEP RING)
- WEEP RING IS CONTINUOUSLY WELDED ON BOTH SIDES

## MATERIAL

- A36 STEEL
- T-304 STAINLESS STEEL
- T-316 STAINLESS STEEL

## FINISH

- PLAIN
- SHOP PRIMED (RED PRIMER)
- ELECTRO GALVANIZED (ZINC PLATED)
- HOT DIPPED GALVANIZED

**TRIPAC**

475 Klug Circle-Corona, CA. 92880 (951) 280-4488 - Fax: (951) 272-4445