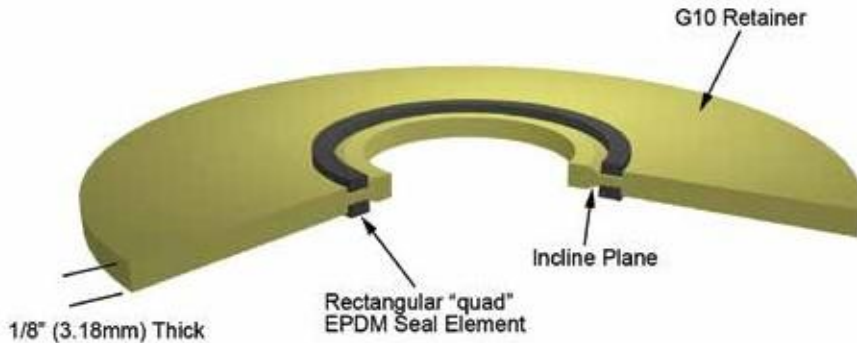


TRIPAC- ISOGUARD™

Sealing/Isolating Gaskets and Flange Isolation Kits for Potable Water Applications



Potable Water Approval

- NSF 61 Certified

The ISOGUARD™ sealing/isolating gasket system is designed for NSF certified applications where electrical flange isolation and corrosion control are required on pipes containing potable water up to 302°F(150°C). Available for flat face, raised face and ring type joint flanges from 1/2" to 120" (and corresponding API and DN diameters), ANSI 150-1500#, API 2-5K and PN 20-250, the ISOGUARD™ gasket is an engineered value added solution for trouble free operation. The ISOGUARD™ sealing/isolating gasket system consists of a retainer with an incline-plane seal groove geometry and rectangular sealing element "Quad" ring that's designed to optimize EPDM's elastic memory. This design guarantees low bolt load requirements and high sealing reliability. In fact, it's based on an industry proven design that has been used successfully for over 30 years for a wide variety of applications including sealing volatile fluids in high pressure pipelines.

Applications

- ISOGUARD™ gaskets are engineered to provide high reliability sealing and electrical isolation for potable water applications.
- High Pressure Flanges: Up To 1500#, API 5K and PN 250.
- Applications where end users prefer an integral seal element.
- For ANSI 2500#, API 10K and PN 420 applications, please consult factory.

General Features

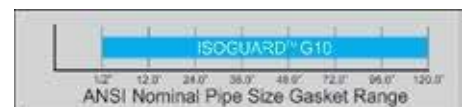
- Self Energizing Seal.
- Incline-plane groove geometry.
- Low bolt load required.



Type "E" Gasket
Fits over the bolt holes and extends to the O.D. of the flange to assist contractors as the bolt holes automatically center the gasket. Provides excellent protection against shorting out of the corrosion mitigation hardware.

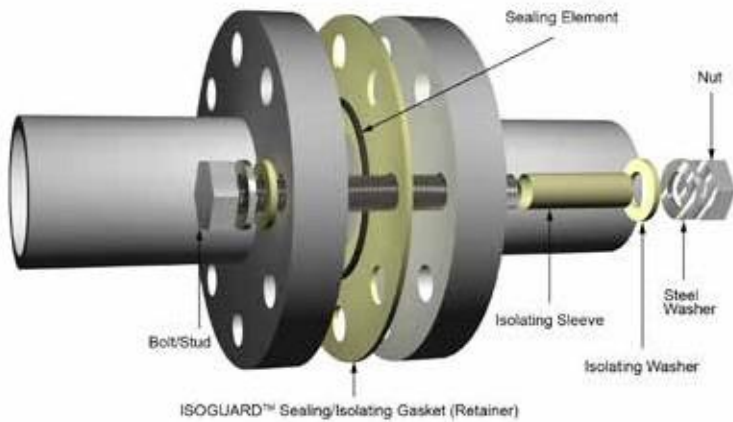


Type "F" Gasket
Fits within the bolt hole circle of the flange and extends to the I.D. of the bolt circle providing good protection against shorting out of the corrosion mitigation hardware.



For applications outside ranges shown, consult factory.





Facts

- Based on an industry proven design.
- Enhanced with innovative engineered features.
- Cycled tested at 10,000psi at ambient temperature
- Made in the U.S.A.
- Tested to Shell Certification Standards.
- Stocked at TRIPAC Fasteners



ISO GUARD™ Flange Isolation Kits

For a flange isolation kit, sleeves and washers are needed. Generally, 95% of ISO GUARD™ gasket flange isolation kits are sold with G10 sleeves and G10 double washer sets, when specified with a G10 retainer gasket.

Suggested Sleeve/Washer Sets

SD = Standard - G10 Sleeves, Steel ZP Washers and G10 Washers (Double Washer Set Shown, Single Washer Sets Also Available).



VD = Value - Mylar Sleeves, Steel ZP Washers and G10 Washers (Double Washer Set Shown, Single Washer Sets Also Available).



Retainer Material

- G10
- Retainer Thickness 1/8" (0.125") (3.18mm)

Gasket/Retainer Material Specifications

ASTM	TEST METHOD	G10
D149	Dielectric Strength Volts/Mil Short Time	750-800
D695	Compressive Strength (psi)	65,000
D570	Water Absorption (%)	0.05
D790	Flexural Strength (psi)	65,000
D256	IZOD Impact Strength (Ft-Lbs/Inch)	14.00
D638	Tensile Strength (psi)	50,000
D732	Shear Strength (psi)	21,000
D952	Bond Strength (lb)*	2,600

Operating Temp. Range	Cryogenic -238°F (-150°C) to +302°F (+150°C)
-----------------------	--

Note: Operating Temperature for Gaskets and Flange Isolation Kits is based off the Gasket Retainer Temperature. Seal element temperature does not dictate the min. and max. gasket operating temperature.

Sealing Element Material

- EPDM

Seal Element Material Specifications

Sealing Element	Temperature - Operating
EPDM	-65°F (-54°C) to +250°F (+121°C)

Part Number Example:

2" ISO GUARD NSF Certified Products

Gasket Only: IK2.0-IG150#E-STD-G10PWE

Flange Isolation Kit: IK2.0-IG150#E-STD-G10PWE-SD



475 Klug Circle, Corona, CA 92880
 Phone: 951-280-4488, Fax: 951-272-4445
 www.tripaonline.com

Lubrication - Value Added

Lamons is adding value to packaged ISOTEK products; sealing/isolation gaskets and flange isolation kits. Non-conductive lubrication is provided with each kit up through 24". Assist the contractors in the field and make sure installations are done correctly using non-conductive lubrication. Take the risk out of having lubrication used that can conduct and cause isolation issues.



Features

- Contains NO hazardous ingredients according to OSHA regulation 29 CFR 1910.1200.
- Packaged in 30 ML "Dose Unit" durable pouches or 8 OZ cans for applications over 24".
- Environmentally Safe.
- Can be safely used on stainless or other alloys.

Lamons Non-Conductive Lubrication NM91 Material Properties

Coefficient of Friction (Friction Factor)	0.19
Product Color	Black
Temperature Range	-20°F (-28°C) to 500°F (260°C)

Note: Do Not use in applications requiring oxygen compatibility.

Specification

Update current sealing/isolation gasket and flange isolation kit specifications to include non-conductive lubrication.

Lubrication Dose Unit Packaging

Each Flange Isolation Kit up through a nominal size of 24". Non-Conductive lubrication to be supplied per Flange Isolation Kit in "Dose Unit" pouches. Lubrication shall have a friction factor of 0.19.