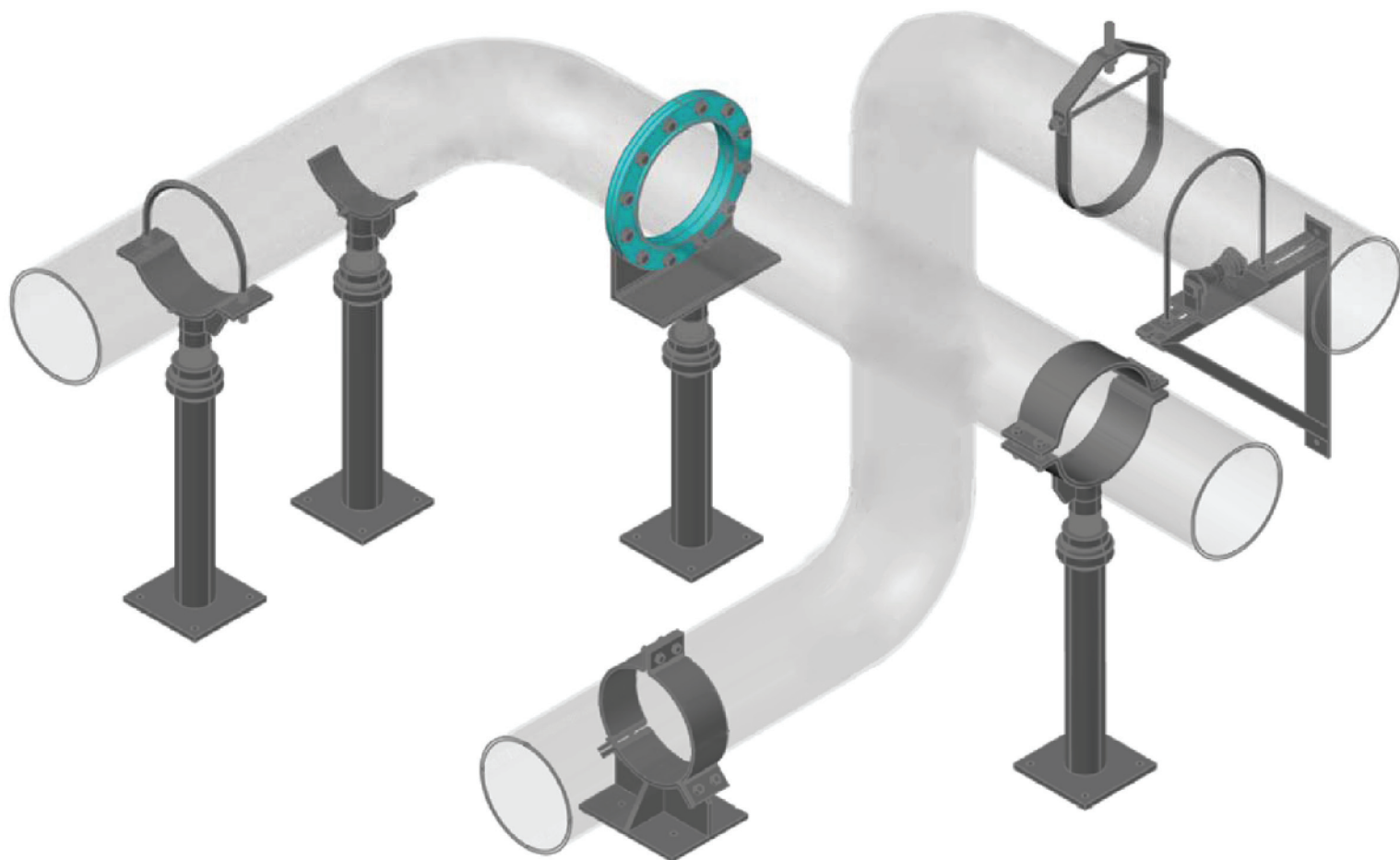


PIPE SUPPORT CATALOG



TRIPAC

475 KLUG CIRCLE CORONA, CA 92880

PHONE: (951) 280-4488

FAX: (951) 272-4445

www.TRIPACONLINE.COM

"SPECIALIZING IN THE WATER AND WASTE WATER INDUSTRIES."



TRIPAC

475 KLUG CIRCLE • CORONA, CA 92880-6406
(951) 280-4488 • FAX: (951) 272-4445

A DIVISION OF TRIPAC MARKETING, INC.

WWW.TRIPACONLINE.COM

INDEX

<u>PART</u>	<u>DESCRIPTION</u>	<u>PAGE</u>
	INTRODUCTION.	1
TP-1	STANDARD CLEVIS HANGER.	2
TP-1 A	CLEVIS HANGER FOR INSULATED LINES.	3
TP-1 CI	A.W.W.A. CLEVIS HANGER.	4
TP-1 F	FELT LINED STANDARD CLEVIS HANGER.	5
TP-1 PVC	PVC COATED STANDARD CLEVIS HANGER.	5
TP-1 V	"V" BOTTOM CLEVIS HANGER.	6
TP-1 VT	"V" SUPPORT TROUGH.	6
TP-2	ADJUSTABLE BAND HANGER.	7
TP-2 WON	ADJUSTABLE BAND HANGER W/O SWIVEL NUT.	8
TP-4	STANDARD PIPE CLAMP.	9
TP-4 A	PIPE CLAMP FOR SWAY BRACING.	10
TP-4 B	PIPE CLAMP FOR SWAY BRACING.	11
TP-4 CI	A.W.W.A. PIPE CLAMP.	12
TP-4 H	HEAVY DUTY PIPE CLAMP.	13
TP-5	STANDARD DOUBLE BOLT PIPE CLAMP.	14
TP-5 H	HEAVY DUTY DOUBLE BOLT PIPE CLAMP.	15
TP-6	RISER CLAMP.	16
TP-7	OFFSET PIPE CLAMP.	17
TP-8	EXTENDED PIPE CLAMP.	18
TP-9	UNDERGROUND SOCKET CLAMP.	19
TP-9 X	SOCKET CLAMP WASHER.	19
TP-14	DOUBLE BOLT-UNDERGROUND SOCKET CLAMP.	20
TP-14 X	PLATE WASHER.	20
TP-20	STANDARD PIPE STRAP.	21
TP-20 S	FLUSH MOUNT PIPE STRAP.	21
TP-30	LIGHT WELDED BRACKET.	22
TP-30 L	LIGHT DUTY WELDED BRACKET.	23
TP-30 M	MEDIUM DUTY WELDED BRACKET.	23
TP-30 H	HEAVY DUTY WELDED BRACKET.	23
TP-31 M	WELDED KNEE BRACKET.	24
TP-31 O	"O" BRACKET.	24
TP-32	ANCHOR CHAIR.	25
TP-33	CONCRETE SINGLE LUG PLATE.	26
TP-34	CONCRETE CLEVIS PLATE WITH PIN.	27
TP-35	CONCRETE ROD ATTACHMENT PLATE.	28
TP-42	ANGLE BRACKET.	29
TP-50	SIDE BEAM BRACKET.	29
TP-52	SIX HOLE SIDE BEAM BRACKET.	30
TP-62	CENTER LOAD BEAM CLAMP.	31
TP-64	STEEL "C" CLAMP WITH LOCKNUT.	32
TP-65	3/4" THROAT OPENING- REVERSIBLE C TYPE BEAM CLAMP.	33
TP-66	1 1/4" THROAT OPENING-REVERSIBLE C TYPE BEAM CLAMP.	33
TP-68	WIDE THROAT TOP BEAM C CLAMP W/LOCKNUT.	34
TP-69	BEAM CLAMP RETAINING STRAP.	35
TP-100	LIGHT DUTY PIPE SUPPORTS.	36
TP-150	LIGHT DUTY PIPE SUPPORTS.	36
TP-200	LIGHT DUTY PIPE SUPPORTS.	36

INDEX

<u>PART</u>	<u>DESCRIPTION</u>	<u>PAGE</u>
TP-101	WELDED EYE ROD.	37
TP-102	WELD LESS EYE ROD.	38
TP-101 L	LINKED WELDED EYE ROD.	39
TP-102 L	LINKED WELD LESS EYE ROD.	40
TP-107	ANCHOR BOLT.	41
TP-107 F	CONCRETE INSERT.	42
TP-110	STANDARD U-BOLT WITH 4 HEX NUTS.	43
TP-110CI	A.W.W.A. U-BOLT WITH 4 HEX NUTS.	43
TP-111	LIGHT WEIGHT U-BOLT WITH 2 HEX NUTS.	44
TP-116	BEVEL WASHER.	45
TP-118	SQUARE WASHER.	46
TP-220	INSULATION PROTECTION SHIELD.	47
TP-260	PIPE COVERING PROTECTION SADDLE-1" INSULATION.	48
TP-261	PIPE COVERING PROTECTION SADDLE-1 1/2" INSULATION.	49
TP-262	PIPE COVERING PROTECTION SADDLE-2" INSULATION.	50
TP-263	PIPE COVERING PROTECTION SADDLE-2 1/2" INSULATION.	51
TP-264	PIPE COVERING PROTECTION SADDLE-3" INSULATION.	52
TP-265	PIPE COVERING PROTECTION SADDLE-4" INSULATION.	53
TP-271	ADJUSTABLE ROLLER SUPPORT.	54
TP-272	ADJUSTABLE ROLLER HANGER.	55
TP-272 SS	ADJUSTABLE ROLLER HANGER-STAINLESS STEEL.	56
TP-273	ADJUSTABLE TWO-ROD ROLLER SUPPORT.	57
TP-275	ROLLER CHAIR.	58
TP-277	ADJUSTABLE TWO ROD ROLLER HANGER.	59
TP-277 SS	ADJUSTABLE TWO ROD ROLLER HANGER.	60
TP-279	PIPE ROLL STAND.	61
TP-280	ADJUSTABLE PIPE ROLL STAND.	62
TP-304	WELD BEAM ATTACHMENT.	63
TP-305	WELD BEAM ATTACHMENT WITH PIN.	63
TP-309	CONCRETE INSERT.	64
TP-309 N	CONCRETE INSERT NUT.	64
TP-310	STEEL SPOT CONCRETE INSERT.	65
TP-310 N	STEEL SPOT INSERT NUT.	65
TP-330	WELD LESS STEEL EYE NUT.	66
TP-331	TURNBUCKLE.	67
TP-332	BRIDGE CLEVIS.	68
TP-335	ADJUSTABLE SIDE BEAM CLAMP.	69
TP-336	ADJUSTABLE BEAM CLAMP.	70
TP-337	ADJUSTABLE BEAM ATTACHMENT.	70
TP-343	WELDING LUG.	71
TP-405	ANCHOR HOLD DOWN CLAMP.	72
TP-406	ANCHOR BASE PLATE.	73
TP-420	PIPE ALIGNMENT GUIDE-LONG TRAVERSE.	74
TP-421	PIPE ALIGNMENT GUIDE-INTERMEDIATE TRAVERSE.	74
TP-420	PIPE ALIGNMENT GUIDE-LONG TRAVERSE.	75
TP-421	PIPE ALIGNMENT GUIDE-INTERMEDIATE TRAVERSE.	76
TP-422	LIGHT WEIGHT PIPE ALIGNMENT GUIDE.	77
TP-422 C	COPPER TUBING LIGHT WEIGHT PIPE ALIGNMENT GUIDE.	78



INDEX

<u>PART</u>	<u>DESCRIPTION</u>	<u>PAGE</u>
TP-426	T-PIPE SLIDE PTFE.79
TP-426 G	T-PIPE SLIDE PTFE WITH GUSSETS.79
TP-426 C	T-PIPE SLIDE PTFE WITH CLAMPS.79
TP-426	T-PIPE SLIDE PTFE.80
TP-426 G	T-PIPE SLIDE PTFE WITH GUSSETS.80
TP-426 C	T-PIPE SLIDE PTFE WITH CLAMPS.80
TP-426 A	T-PIPE ANCHOR.81
TP-426 AG	T-PIPE ANCHOR WITH GUSSETS.81
TP-426 AC	T-PIPE ANCHOR WITH CLAMPS.81
TP-427	U-PIPE SLIDE PTFE.82
TP-428	H-PIPE SLIDE PTFE.83
TP-429	SLIDE PLATE PTFE.84
TP-430	PTFE GUIDED SLIDE PLATE.85
TP-431	PTFE HOLD DOWN SLIDE PLATE.86
TP-433	COPPER TUBE CLAMP.87
TP-434	IPS CLAMP.88
TP-811	PIPE SADDLE WITH STRAP.89
TP-814	FLANGE SUPPORT.90
TP-816	PIPE STAND.91
TP-816 T	THREADED PIPE STAND.91
TP-817	PIPE SADDLE.92
TP-818	PIPE SADDLE WITH U-BOLT.93
TP-819	THREADED PIPE ADJUSTER.94
TP-900	PIPE SUPPORT.95
TP-980	UNIVERSAL SWIVEL SWAY BRACE ATTACHMENT.96
TP-K	WELDED K-SUPPORT.97
TP-KS	WELDED K-SUPPORT WITH STRAPS.98
	BEAM DIMENSIONS.99
	DECIMALS OF AN INCH.100
	DECIMALS OF A FOOT.100
	PIPE DATA.101
	STEEL PIPE DATA.102
	COPPER TUBE DATA.102
	TRIPAC SUPPORT CROSS REFERENCE CHART.103
	TRIPAC SUPPORT CROSS REFERENCE CHART.104
	ANVIL / GRINNELL TO TRIPAC CROSS REFERENCE CHART.105
	B-LINE TO TRIPAC CROSS REFERENCE CHART.106
	ERICO TO TRIPAC CROSS REFERENCE CHART.107
	PHD TO TRIPAC CROSS REFERENCE CHART.108
	SUPER STRUT TO TRIPAC CROSS REFERENCE CHART.109
	CARPENTER & PATERSON TO TRIPAC CROSS REFERENCE CHART.110
	EMPIRE INDUSTRIES TO TRIPAC CROSS REFERENCE CHART.111
	TRIPAC TO MSS AND FEDERAL SPECIFICATION CROSS REFERENCE.112



INTRODUCTION

At TRIPAC, we turn common water works problems into opportunities for innovation, advancement and improvement. Established in 1973 we are proud to have developed from a general fastener company to a specialty niche supplier, entirely dedicated to the water and waste water industries.

Our product line includes a variety of products such as bolt, nut, gasket and flange insulation kits, link seals, tracer wire, casing spacers and wall sleeves, as well as a complete line of wedge anchors and foundation bolts. Our fabrication division offers a complete line of pipe supports, strut products and custom fabrication. For corrosion we offer a wax tape system manufactured by Denso and introduced to the water & waste water industries the Tripac 2000 Blue Coating System.

We believe that the foundation of any successful company is its employees. Our self-described "Tripacians" are always striving for the latest developments in our field, attending meetings, trade shows, educational seminars, classes and more to further their knowledge of the field, seeking new ways to solve industry problems and develop innovative solutions. We are members of the American Water Works Association, WASDA and other various associations.

Now more than ever, we here at Tripac believe in offering a superior product along with service that exceeds our customer's expectations. From the very beginning, we have understood the need for quality products and services, the need for specialized manufacturing and the benefits of providing this to a niche market. We hope to continue our tradition of service and expertise for years to come.



TRIPAC FIG. TP-1 STANDARD CLEVIS HANGER

SIZE RANGE-1/2" THRU 36" PIPE

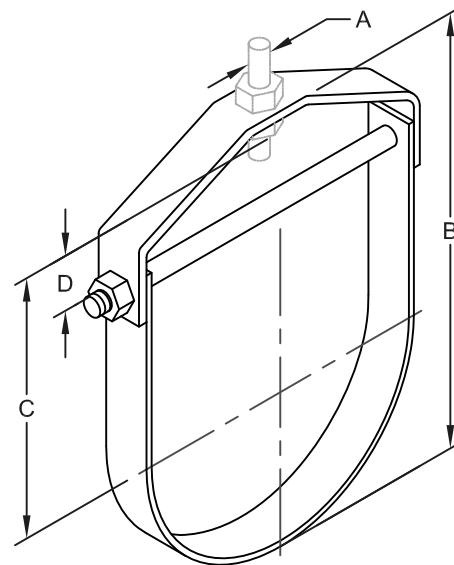
SERVICE-DESIGNED FOR SUSPENSION OF NON-INSULATED PIPE, IF INSULATED PIPE IS REQUIRED USE WITH SHIELD

MATERIAL-CARBON STEEL, T-304 AND T-316

FINISHES-PLAIN, ELECTRO-GALVANIZED, HDG

COMPLIES WITH FEDERAL SPECIFICATION WW-H-171-E (TYPE #1) AND MANUFACTURERS STANDARDIZATION SOCIETY MSS SP-58 AND SP-69 (TYPE #1)

MAXIMUM TEMPERATURE RATING-650°F / 343°C



DIMENSIONS & WEIGHTS

PIPE SIZE	ROD SIZE A		B	C	D	MAX. REC. LOAD LBS	APPROX. WT./100
	STD	NFPA					
1/2"	3/8"	3/8"	2-1/16"	1-3/16"	1"	610	36
3/4"	3/8"	3/8"	2-7/8"	1-7/8"	1"	610	38
1"	3/8"	3/8"	3-1/4"	2-1/16"	1"	610	42
1-1/4"	3/8"	3/8"	3-9/16"	2-1/4"	1"	610	46
1-1/2"	3/8"	3/8"	3-7/8"	2-3/8"	1"	610	49
2"	3/8"	3/8"	4-7/16"	2-3/4"	1"	610	55
2-1/2"	1/2"	3/8"	5-5/16"	3-1/4"	1"	1130	124
3"	1/2"	3/8"	5-15/16"	3-1/2"	1-1/4"	1130	140
3-1/2"	1/2"	3/8"	6-7/16"	3-3/4"	1-1/4"	1130	152
4"	5/8"	3/8"	7-3/8"	4-1/4"	1-1/2"	1430	190
5"	5/8"	1/2"	8-15/16"	5-1/4"	1-1/2"	1430	235
6"	3/4"	1/2"	9-13/16"	5-1/2"	1-1/2"	1940	317
8"	3/4"	1/2"	12-9/16"	7-1/8"	2"	2000	428
10"	7/8"	5/8"	16-1/4"	9-5/8"	3-1/4"	3600	918
12"	7/8"	5/8"	18-9/16"	10-13/16"	3-1/8"	3800	1086
14"	1"	----	20-3/4"	12-3/8"	4"	4200	1267
16"	1"	----	22-7/8"	13-3/16"	3-3/4"	4600	1930
18"	1"	----	25-3/4"	15-9/32"	4-7/16"	4800	2264
20"	1-1/4"	----	28-13/16"	17-1/16"	5-3/16"	4800	3531
*24"	1-1/4"	----	32-1/8"	18-1/4"	4-7/16"	4800	4431
*30"	1-1/4"	----	38-7/8"	21-7/8"	5"	6000	6940
*36"	1-1/2"	----	48"	27-3/4"	5-3/4"	9500	18103

*FURNISHED WITH PIPE SPACER TO SUPPORT MAXIMUM LOAD RATING

TRIPAC

475 KLUG CIRCLE • CORONA, CA 92880-6406
(951) 280-4488 • FAX: (951) 272-4445

2

A DIVISION OF TRIPAC MARKETING, INC.
WWW.TRIPACONLINE.COM

TRIPAC FIG. TP-1A CLEVIS HANGER FOR INSULATED LINES

SIZE RANGE-3/4" THRU 12" PIPE

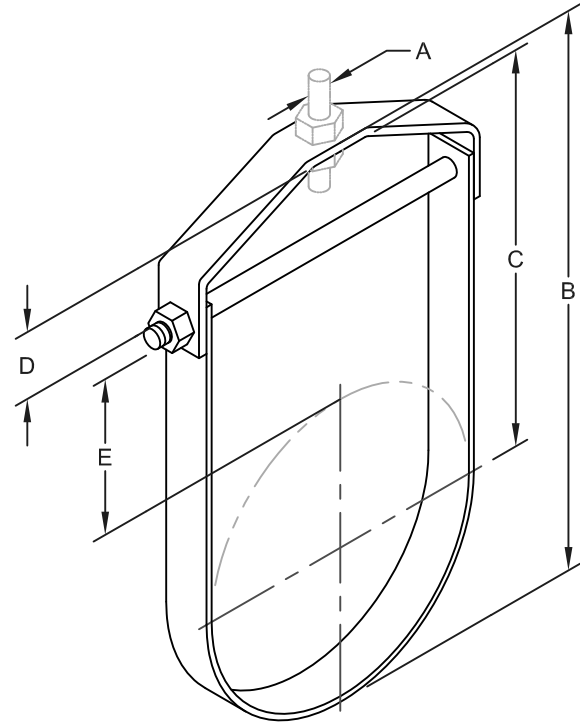
SERVICE-DESIGNED FOR SUSPENSION OF INSULATED PIPE WHERE TEMPERATURE DOES NOT REQUIRE THE USE OF SLIDES, GUIDES OR ROLLERS FOR MOVEMENT.

MATERIAL-CARBON STEEL, T-304 AND T-316

FINISHES-PLAIN, ELECTRO-GALVANIZED, HDG

COMPLIES WITH FEDERAL SPECIFICATION WW-H-171-E (TYPE #1) AND MANUFACTURERS STANDARDIZATION SOCIETY MSS SP-69 (TYPE #1)

MAXIMUM TEMPERATURE RATING-650°F / 343°C



DIMENSIONS & WEIGHTS

PIPE SIZE	ROD SIZE A	B	C	D	MAX INSULATION THICKNESS E	MAX. REC. LOAD LBS	APPROX. WT./100
3/4"	3/8"	4-1/4"	3-3/8"	1/2"	2"	610	54
1"	3/8"	4-11/16"	3-3/4"	5/8"	2"	610	59
1-1/4"	3/8"	5-1/4"	4-1/8"	7/8"	2"	610	62
1-1/2"	3/8"	5-3/4"	4-9/16"	1-1/16"	2"	610	67
2"	3/8"	8-11/16"	7"	1-5/8"	4"	610	84
2-1/2"	1/2"	9-15/16"	8"	2"	4"	1130	185
3"	1/2"	10-5/16"	8-1/16"	1-3/4"	4"	1130	205
4"	5/8"	11-5/8"	8-11/16"	1-15/16"	4"	1430	252
5"	5/8"	12-5/8"	9-1/4"	1-3/4"	4"	1430	309
6"	3/4"	14"	9-7/8"	1-7/8"	4"	1940	400
8"	7/8"	16-3/4"	11"	2"	4"	2000	607
10"	7/8"	19-3/16"	12-1/4"	2-1/8"	4"	3600	1032
12"	7/8"	21-9/16"	13-5/8"	2-7/16"	4"	3800	1315

TRIPAC

475 KLUG CIRCLE • CORONA, CA 92880-6406
(951) 280-4488 • FAX: (951) 272-4445

TRIPAC FIG. TP-1CI A.W.W.A. CLEVIS HANGER

SIZE RANGE-4" THRU 24" PIPE

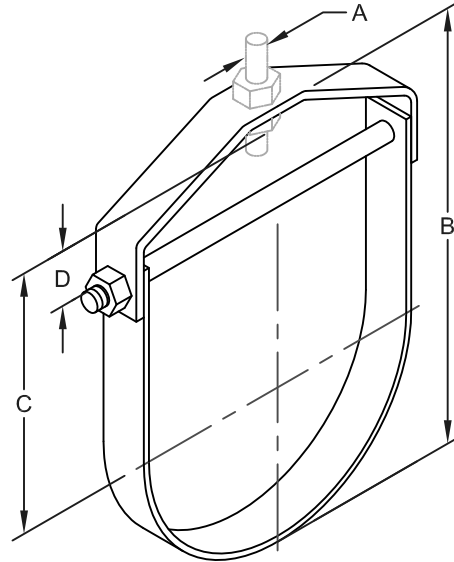
SERVICE-DESIGNED FOR SUSPENSION OF FLANGED OR BELL AND SPIGOT A.W.W.A. CAST IRON OR DUCTILE IRON PIPE.

MATERIAL-CARBON STEEL, T-304 AND T-316

FINISHES-PLAIN, ELECTRO-GALVANIZED, HDG

COMPLIES WITH FEDERAL SPECIFICATION WW-H-171-E (TYPE #1) AND MANUFACTURERS STANDARDIZATION SOCIETY SP-69, (TYPE #1)

MAXIMUM TEMPERATURE RATING-650°F / 343°C



DIMENSIONS & WEIGHTS

PIPE SIZE	ROD SIZE A	PIPE O.D.	B	C	D	MAX. REC. LOAD LBS	APPROX. WT./100
4"	5/8"	4.80"	8"	4-3/4"	1-5/8"	1430	213
6"	3/4"	6.90"	10-3/16"	5-3/4"	1-3/4"	1940	430
8"	3/4"	9.05"	12-5/8"	7"	1-3/4"	2000	664
10"	7/8"	11.10"	15-7/16"	8-5/8"	2-1/4"	3600	940
*12"	7/8"	13.20"	16-7/8"	9"	2-1/4"	3800	1217
*14"	1"	15.30"	20-7/8"	11-3/4"	2-1/2"	4200	1533
*16"	1"	17.40"	23-11/16"	13-1/2"	3-3/8"	4600	1925
*18"	1"	19.50"	26-1/16"	14-7/8"	3-3/8"	4800	2223
*20"	1-1/4"	21.60"	29-1/16"	16-3/8"	3-3/4"	4800	4182
*24"	1-1/4"	25.80"	33-3/8"	18-5/8"	4"	4800	5460

*FURNISHED WITH PIPE SPACER TO SUPPORT MAXIMUM LOAD RATING

TRIPAC

475 KLUG CIRCLE • CORONA, CA 92880-6406
(951) 280-4488 • FAX: (951) 272-4445

TRIPAC FIG. TP-1F FELT LINED STANDARD CLEVIS HANGER TRIPAC FIG. TP-1PVC PVC COATED STANDARD CLEVIS HANGER

SIZE RANGE-1/2" THRU 8" PIPE

SERVICE- TP-1F IS DESIGNED FOR SUSPENSION OF COPPER TUBE SO AS TO PREVENT ELECTROLYSIS BETWEEN TUBE AND HANGER. TP-1PVC IS DESIGNED FOR STEEL OR OTHER PIPE TYPES OF SAME O.D. BOTH TP-1F AND TP-1PVC ACT TO REDUCE NOISE AND VIBRATION IN PIPE OR TUBE SYSTEM.

MATERIAL-CARBON STEEL, T-304 AND T-316

FINISHES-PLAIN, ELECTRO-GALVANIZED, HDG

MAXIMUM TEMPERATURE RATING-650°F / 343°C

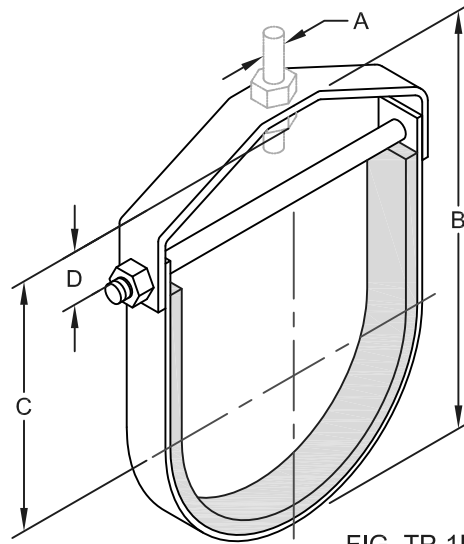


FIG. TP-1F

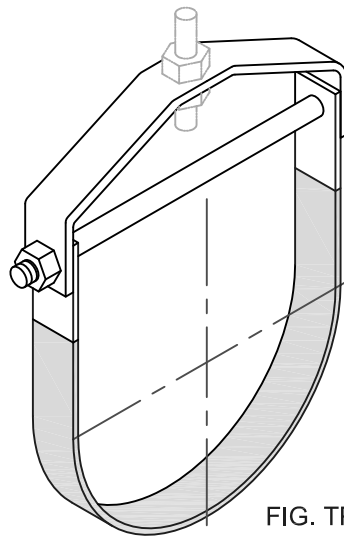


FIG. TP-1PVC

DIMENSIONS & WEIGHTS

PIPE SIZE	ROD SIZE A		B	C	D	MAX. REC. LOAD LBS	APPROX. WT./100
	STD	NFPA					
1/2"	3/8"	3/8"	2-7/8"	1"	1"	610	36
3/4"	3/8"	3/8"	3-1/16"	1-11/16"	1"	610	38
1"	3/8"	3/8"	3-3/8"	1-7/8"	1"	610	43
1-1/4"	3/8"	3/8"	3-3/4"	2-1/16"	1"	610	47
1-1/2"	3/8"	3/8"	4-1/16"	2-3/16"	1"	610	50
2"	3/8"	3/8"	4-1/2"	2-9/16"	1"	610	56
2-1/2"	1/2"	3/8"	5-1/2"	3-1/16"	1"	1130	125
3"	1/2"	3/8"	6-1/8"	3-5/16"	1-1/4"	1130	141
3-1/2"	1/2"	3/8"	6-3/4"	3-9/16"	1-1/4"	1130	153
4"	5/8"	3/8"	7-5/8"	4-1/16"	1-1/2"	1430	191
5"	5/8"	1/2"	8-7/8"	5-1/16"	1-1/2"	1430	236
6"	3/4"	1/2"	10"	5-5/16"	1-1/2"	1940	318
8"	3/4"	1/2"	12-3/4"	6-15/16"	2"	2000	429

TRIPAC

475 KLUG CIRCLE • CORONA, CA 92880-6406
(951) 280-4488 • FAX: (951) 272-4445

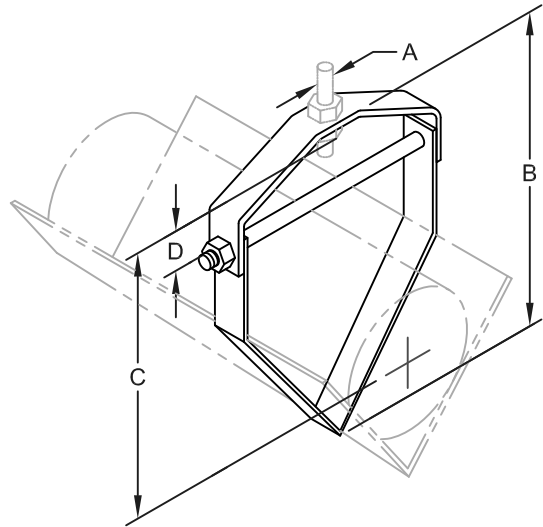
TRIPAC FIG. TP-1V "V" BOTTOM CLEVIS HANGER

SIZE RANGE-1/2" THRU 4" PIPE

SERVICE-DESIGNED FOR SUSPENSION OF FLEXIBLE PLASTIC PIPE. USE WITH FIG. TP-1VT FOR PLASTIC PIPE.

MATERIAL-CARBON STEEL, T-304 AND T-316

FINISHES-PLAIN, ELECTRO-GALVANIZED, HDG



DIMENSIONS & WEIGHTS

SIZE NO.	PIPE SIZE	ROD SIZE A	B	C	D	MAX. REC. LOAD LBS	APPROX. WT./100
1	1/2"	3/8"	5-1/2"	4-3/4"	1-5/8"	150	38
1	3/4"	3/8"	5-1/2"	4-9/16"	1-5/8"	150	38
1	1"	3/8"	5-1/2"	4-3/8"	1-5/8"	150	38
1	1-1/4"	3/8"	5-1/2"	4-1/8"	1-5/8"	150	38
1	1-1/2"	3/8"	5-1/2"	4"	1-5/8"	150	38
1	2"	3/8"	5-1/2"	3-11/16"	1-5/8"	150	38
2	2-1/2"	1/2"	8-3/4"	6-5/8"	1-3/4"	150	115
2	3"	1/2"	8-3/4"	6-3/16"	1-3/4"	150	115
2	3-1/2"	1/2"	8-3/4"	5-13/16"	1-3/4"	150	115
2	4"	1/2"	8-3/4"	5-7/16"	1-3/4"	150	115

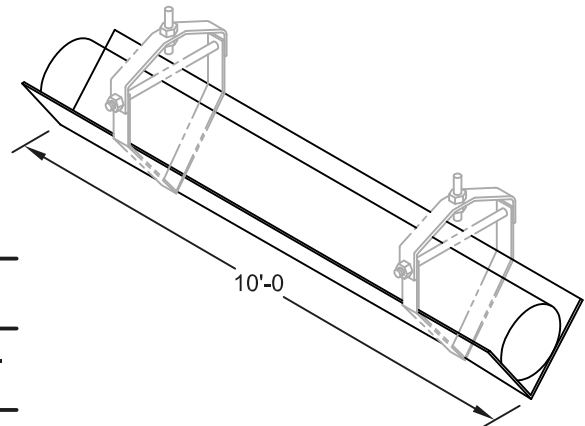
TRIPAC FIG. TP-1VT "V" SUPPORT TROUGH

SIZE RANGE-1/2" THRU 4" PIPE

SERVICE-DESIGNED FOR USE WITH FIG. TP-1V AS A SUPPORT FOR PLASTIC OR OTHER FLEXIBLE PIPE SYSTEMS.

MATERIAL-CARBON STEEL, T-304 AND T-316

FINISHES-PLAIN, ELECTRO-GALVANIZED, HDG



DIMENSIONS & WEIGHTS

SIZE NO.	FOR PIPE SIZE	ROD LENGTH	MAX. REC. LOAD LBS	APPROX. WT./100
1*	1/2"-2"	10 FT.	150	540
2**	2 1/2"-4"	10 FT.	150	1080

* SIZE NO. 1 DIMENSIONS ARE 1.5 X 1.5 X 18GA X 10'

** SIZE NO. 2 DIMENSIONS ARE 3 X 3 X 18GA X 10'

TRIPAC

475 KLUG CIRCLE • CORONA, CA 92880-6406
(951) 280-4488 • FAX: (951) 272-4445

TRIPAC FIG. TP-2 ADJUSTABLE BAND HANGER

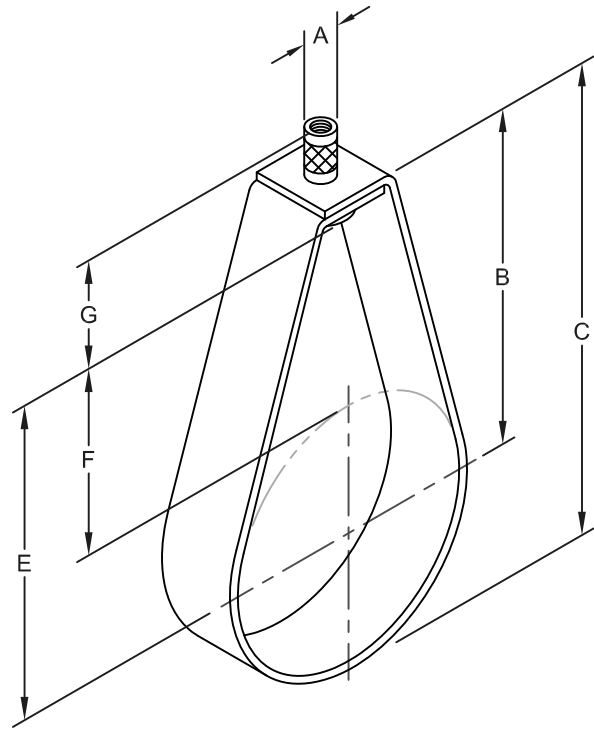
SIZE RANGE-1/2" THRU 8" PIPE

SERVICE-DESIGNED FOR SUSPENSION OF NON-INSULATED STATIONARY PIPE LINES.

MATERIAL-PRE-GALVANIZED CARBON STEEL

FINISHES-PRE-GALVANIZED

COMPLIES WITH FEDERAL SPECIFICATION WW-H-171-E (TYPE #10) AND MANUFACTURERS STANDARDIZATION SOCIETY MSS SP-58 AND SP-69 (TYPE #10)



DIMENSIONS & WEIGHTS

PIPE SIZE	PIPE O.D.	MATERIAL SIZE	A	B	C	E	F	G	WEIGHT EACH (LBS)	MAX REC LOAD (LBS)
1/2"	0.840"	18GA X 5/8"	3/8"	2-1/2"	2-7/8"	1-5/8"	1-3/16"	7/8"	0.08	400
3/4"	1.050"	18GA X 5/8"	3/8"	2-7/16"	2-15/16"	1-9/16"	1-1/16"	7/8"	0.08	400
1"	1.315"	18GA X 5/8"	3/8"	2-5/8"	3-1/4"	1-3/4"	1-1/16"	7/8"	0.08	600
1-1/4"	1.660"	18GA X 5/8"	3/8"	2-9/16"	3-3/8"	1-11/16"	7/8"	7/8"	0.10	600
1-1/2"	1.900"	18GA X 5/8"	3/8"	2-11/16"	3-5/8"	1-13/16"	7/8"	7/8"	0.10	600
2"	2.375"	18GA X 5/8"	3/8"	3-3/8"	4-1/2"	2-1/2"	1-5/16"	7/8"	0.12	600
2-1/2"	2.875"	13GA X 3/4"	1/2"	3-11/16"	5-1/8"	2-3/4"	1-1/4"	1-1/16"	0.32	600
3"	3.500"	13GA X 3/4"	1/2"	4"	5-7/8"	3-1/8"	1-1/8"	1-1/16"	0.35	600
3-1/2"	4.000"	13GA X 3/4"	1/2"	4-5/16"	6-5/8"	3-5/8"	1-1/2"	1-1/16"	0.39	600
4"	4.500"	12GA X 3/4"	5/8"	4-15/16"	7-1/8"	3-7/8"	1-1/4"	1-1/8"	0.43	1000
5"	5.563"	12GA X 3/4"	5/8"	5-5/8"	8-1/2"	4-3/8"	1-3/8"	1-1/8"	0.65	1000
6"	6.625"	11GA X 1"	3/4"	6-11/16"	10-1/8"	5-5/16"	2"	1-3/8"	1.09	1250
8"	8.625"	11GA X 1"	3/4"	8-5/16"	12-7/8"	6-15/16"	2-5/8"	1-3/8"	1.24	1250

TRIPAC

475 KLUG CIRCLE • CORONA, CA 92880-6406
(951) 280-4488 • FAX: (951) 272-4445

TRIPAC FIG. TP-2WON ADJUSTABLE BAND HANGER W/OUT SWIVEL NUT

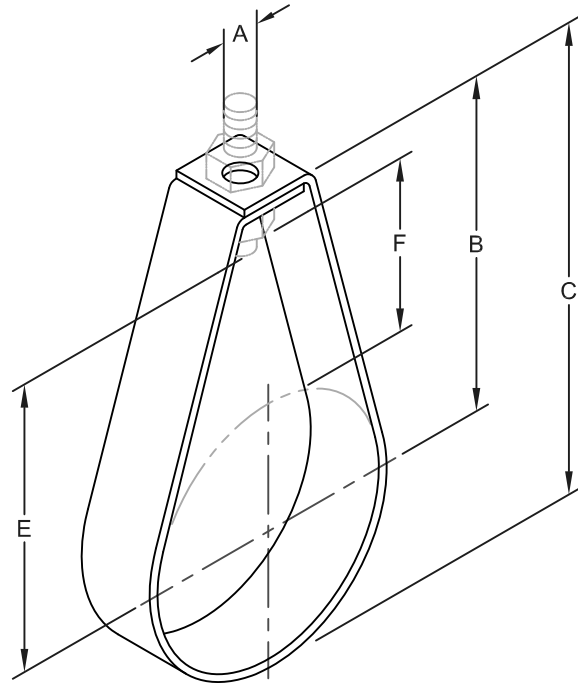
SIZE RANGE-3/8" THRU 8" PIPE

SERVICE-DESIGNED FOR SUSPENSION OF NON-INSULATED STATIONARY PIPE LINES. STAINLESS STEEL HANGERS ARE RECOMMENDED FOR APPLICATIONS WHERE PROTECTION FROM CORROSIVE ENVIRONMENTS IS NEEDED.

MATERIAL-CARBON STEEL, T-316

FINISHES-PLAIN ELECTRO-GALVANIZED

COMPLIES WITH FEDERAL SPECIFICATION WW-H-171-E (TYPE #7) AND MANUFACTURERS STANDARDIZATION SOCIETY MSS SP-58 AND SP-69 (TYPE #7)



DIMENSIONS & WEIGHTS

PIPE SIZE	PIPE O.D.	MATERIAL SIZE	A	B	C	E	F	WEIGHT EACH (LBS)	MAX REC LOAD (LBS)
3/8"	0.675"	16GA X .875"	3/8"	2-1/4"	2-5/8"	1-7/16"	1-1/2"	.100	610
1/2"	0.840"	16GA X .875"	3/8"	2-3/16"	2-9/16"	1-3/8"	1-5/16"	.100	610
3/4"	1.050"	16GA X .875"	3/8"	2"	2-9/16"	1-3/16"	1-1/16"	.100	610
1"	1.315"	16GA X .875"	3/8"	2-3/16"	2-13/16"	1-5/16"	1-1/16"	.120	610
1-1/4"	1.660"	16GA X .875"	3/8"	2-5/16"	3-1/8"	1-1/2"	1-1/16"	.120	610
1-1/2"	1.900"	16GA X .875"	3/8"	2-3/8"	3-3/8"	1-9/16"	1"	.140	610
2"	2.375"	16GA X .875"	3/8"	2-13/16"	4"	2"	1-3/16"	.160	610
2-1/2"	2.875"	14GA X 1.0"	1/2"	3-3/8"	4-13/16"	2-1/4"	1-5/16"	.280	970
3"	3.500"	13GA X 1.0"	1/2"	3-3/4"	5-9/16"	3-5/8"	1-3/8"	.380	970
3-1/2"	4.000"	13GA X 1.0"	1/2"	4-3/16"	6-3/16"	3-1/16"	1-9/16"	.420	970
4"	4.500"	11GA X 1.0"	1/2"	4-5/8"	6-15/16"	3-7/16"	1-11/16"	.600	1130
5"	5.563"	11GA X 1.0"	1/2"	5-1/16"	7-7/8"	3-15/16"	1-5/8"	.700	1130
6"	6.625"	11GA X 1.5"	3/4"	6-3/8"	9-3/4"	4-3/4"	2-3/16"	1.340	1600
8"	8.625"	11GA X 1.5"	3/4"	8-1/16"	12-7/16"	6-7/16"	2-7/8"	1.640	1800

TRIPAC

475 KLUG CIRCLE • CORONA, CA 92880-6406
(951) 280-4488 • FAX: (951) 272-4445

TRIPAC FIG. TP-4 STANDARD PIPE CLAMP

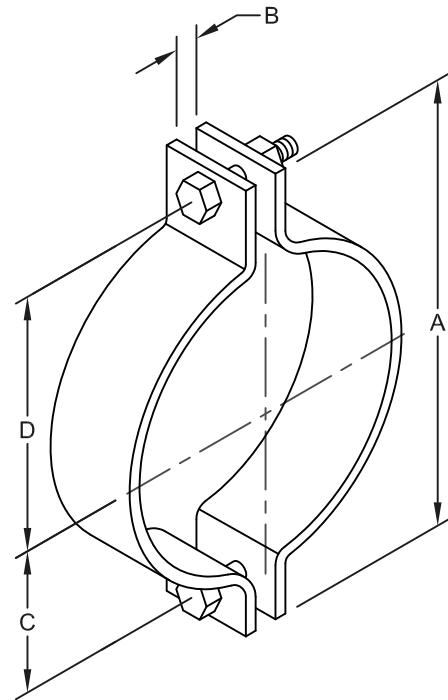
SIZE RANGE-1/2" THRU 30" PIPE

SERVICE-DESIGNED FOR SUSPENSION OF NON-INSULATED PIPE, IF INSULATED PIPE IS REQUIRED USE WITH SHIELD.

MATERIAL-CARBON STEEL, T-304 AND T-316

FINISHES-PLAIN, ELECTRO-GALVANIZED, HDG

COMPLIES WITH FEDERAL SPECIFICATION WW-H-171-E (TYPE #4) AND MANUFACTURERS STANDARDIZATION SOCIETY MSS SP-69 (TYPE #4)



DIMENSIONS & WEIGHTS

PIPE SIZE	A	B	C	D	BOLT SIZE	MAX. DESIGN LOAD LBS.		APPROX. WT./100
						FOR SERVICE TEMP. 650°F / 343°C	750°F / 399°C	
1/2"	3-7/16"	1/4"	1-1/8"	1-1/8"	5/16"	500	445	29
3/4"	3-9/16"	1/4"	1-1/4"	1-1/4"	5/16"	500	445	31
1"	3-9/16"	1/4"	1-1/4"	1-5/16"	5/16"	500	445	35
1-1/4"	4-3/16"	3/8"	1-3/8"	1-11/16"	5/16"	500	445	40
1-1/2"	4-9/16"	3/8"	1-5/8"	1-7/8"	5/16"	800	715	42
2"	5-9/16"	3/8"	2"	2-1/4"	3/8"	1040	930	93
2-1/2"	6-7/16"	3/8"	2-1/2"	2-3/4"	1/2"	1040	930	126
3"	7"	3/8"	2-3/4"	3-1/16"	1/2"	1040	930	141
3-1/2"	7-11/16"	3/8"	3-1/8"	3-3/8"	1/2"	1040	930	154
4"	8-1/2"	5/8"	3-5/16"	3-11/16"	5/8"	1040	930	229
5"	9-3/4"	3/4"	3-7/8"	4-3/8"	5/8"	1040	930	261
6"	11-5/8"	3/4"	4-7/8"	5-1/8"	3/4"	1615	1440	537
8"	13-5/16"	1"	5-5/8"	6"	3/4"	1615	1440	625
10"	16-1/2"	1"	7-1/4"	7-1/4"	7/8"	2490	2220	1378
12"	18-1/2"	1"	8-1/4"	8-1/4"	7/8"	2490	2220	1574
14"	20"	1-1/8"	9"	9"	7/8"	2490	2220	2103
16"	23"	1-1/8"	10-1/4"	10-1/4"	7/8"	2490	2220	2314
18"	25-7/8"	1-1/4"	11-1/2"	11-1/2"	1"	3060	2730	3276
20"	28"	1-3/8"	12-1/2"	12-1/2"	1-1/8"	3060	2730	3863
24"	33-1/2"	1-5/8"	15-1/4"	15-1/4"	1-1/4"	3060	2730	5222
30"	41-7/8"	2"	19"	19"	1-3/4"	3500	3360	10511

TRIPAC

475 KLUG CIRCLE • CORONA, CA 92880-6406
(951) 280-4488 • FAX: (951) 272-4445

TRIPAC FIG. TP-4A PIPE CLAMP FOR SWAY BRACING

SIZE RANGE-4" THRU 8" PIPE. FOR SIZES SMALLER THAN 4" USE TRIPAC FIG. TP-4

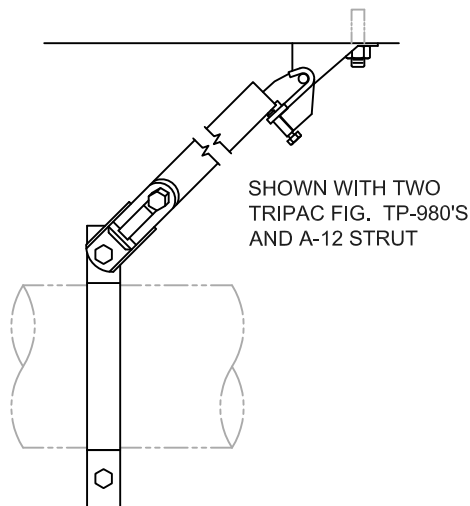
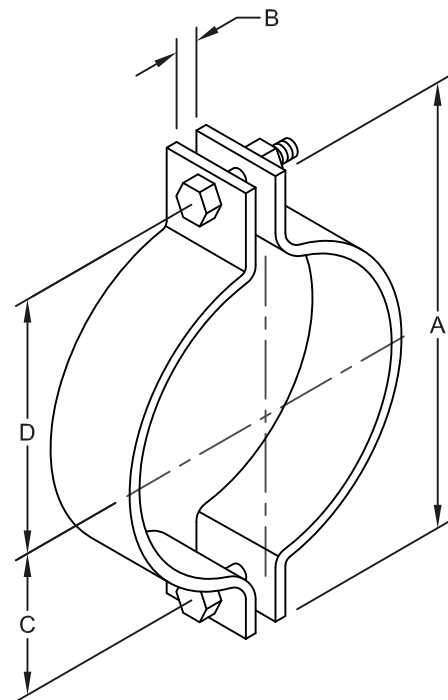
SERVICE-FOR BRACING PIPE AGAINST SWAY AND SEISMIC DISTURBANCE.

INSTALLATION INSTRUCTIONS-THE FIG. TP-4A IS THE "BRACED PIPE" ATTACHMENT COMPONENT OF A LONGITUDINAL, LATERAL OR RISER BRACE ASSEMBLY. IT IS INTENDED TO BE COMBINED WITH THE "BRACING PIPE" AND TRIPAC TRANSITIONAL AND STRUCTURAL ATTACHMENT COMPONENT TO FORM A COMPLETE BRACING ASSEMBLY.

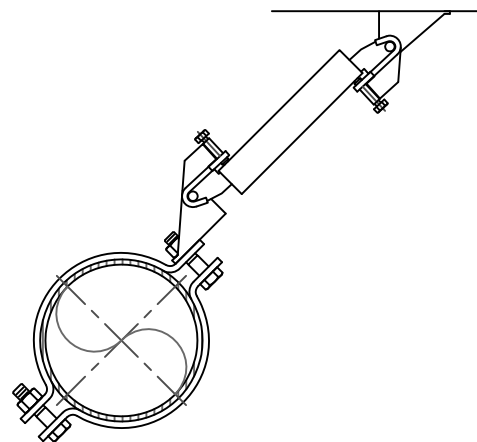
TO INSTALL-PLACE THE FIG. TP-4A OVER THE PIPE TO BE BRACED. ATTACH TRIPAC TRANSITIONAL FITTING FIG. TP-980 TO THE CLAMP EARS. TIGHTEN BOLTS AND NUTS; TORQUE REQUIREMENT IS A MINIMUM OF 50 FT. LBS. TRANSITIONAL FITTING ATTACHMENT CAN PIVOT FOR ADJUSTMENT TO PROPER BRACE ANGLE.

MATERIAL-CARBON STEEL, T-304 AND T-316

FINISHES-PLAIN, ELECTRO-GALVANIZED, HDG



LONGITUNDINAL BRACE



TRANSVERSE BRACE

DIMENSIONS & WEIGHTS

PIPE SIZE	A	B	C	D	BOLT SIZE	MAX. HORIZONTAL DESIGN LOAD	APPROX. WT./100
4"	8-1/2"	9/16"	3-3/8"	3-11/16"	1/2"	2015	221
5"	9-3/4"	9/16"	3-7/8"	4-3/8"	1/2"	2015	253
6"	11-1/2"	5/8"	5"	5-1/8"	1/2"	2015	513
8"	13-1/4"	3/4"	6-11/16"	6-1/8"	1/2"	2015	601

TRIPAC

475 KLUG CIRCLE • CORONA, CA 92880-6406
(951) 280-4488 • FAX: (951) 272-4445

TRIPAC FIG. TP-4B PIPE CLAMP FOR SWAY BRACING

SIZE RANGE-3/4" THRU 8" PIPE

SERVICE-DESIGNED FOR BRACING PIPE AGAINST SWAY AND SEISMIC DISTURBANCE.

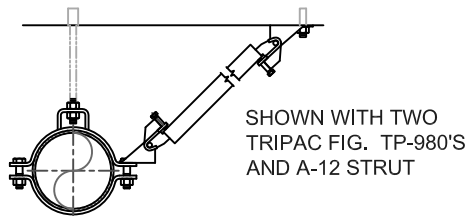
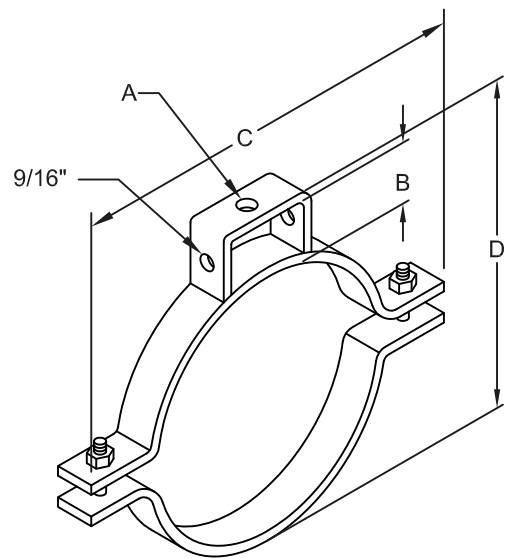
FEATURES-PRODUCT'S DESIGN INCORPORATES CONCENTRIC LOADING OF THE "BRACE PIPE", CONNECTION COMPONENTS AND FASTENERS WHICH IS CRITICAL TO THE PERFORMANCE OF SEISMIC BRACING ASSEMBLIES.

INSTALLATION INSTRUCTIONS-THE FIG. TP-4B IS THE "BRACED PIPE" ATTACHMENT COMPONENT OF A LONGITUDINAL OR LATERAL SWAY BRACE ASSEMBLY. IT IS INTENDED TO BE COMBINED WITH THE "BRACING PIPE" AND TRANSITIONAL AND STRUCTURAL ATTACHMENT COMPONENT TO FORM A COMPLETE BRACING ASSEMBLY.

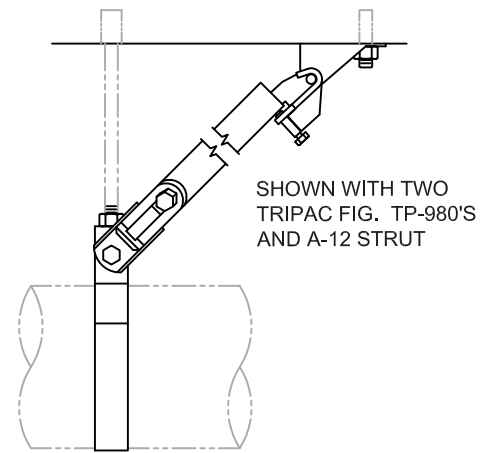
TO INSTALL-PLACE THE FIG. TP-4B OVER THE PIPE TO BE BRACED. ATTACH OTHER TRANSITIONAL FITTING TP-980. TIGHTEN BOLTS AND NUTS. TRANSITIONAL FITTING ATTACHMENT CAN PIVOT FOR ADJUSTMENT TO PROPER BRACE ANGLE.

MATERIAL-CARBON STEEL, T-304 AND T-316

FINISHES-PLAIN, ELECTRO-GALVANIZED, HDG



HANGER / TRANSVERSE BRACE



HANGER / LONGITUNDINAL BRACE

DIMENSIONS & WEIGHTS

PIPE SIZE	ROD SIZE A	B	C	D	BOLT SIZE	MAX. DESIGN LOAD LBS	APPROX. WT./100
3/4"	3/8"	1"	2-7/8"	2-5/8"	5/16"	330	56
1"	3/8"	1"	3-1/4"	2-15/16"	5/16"	330	60
1-1/4"	3/8"	1"	3-9/16"	3-1/4"	5/16"	330	74
1-1/2"	3/8"	1"	3-13/16"	3-7/16"	5/16"	330	79
2"	3/8"	1-1/2"	5-1/8"	4-5/8"	5/16"	440	156
2-1/2"	1/2"	1-3/4"	5-5/8"	5-3/8"	3/8"	440	176
3"	1/2"	1-7/8"	6-3/4"	6-1/8"	3/8"	660	198
3-1/2"	1/2"	2"	7-1/4"	6-3/4"	3/8"	660	219
4"	5/8"	2"	8-5/8"	7-1/4"	1/2"	800	288
5"	5/8"	2"	9-7/8"	8-5/16"	5/8"	980	390
6"	3/4"	2-1/8"	10-15/16"	9-1/2"	5/8"	980	448
8"	7/8"	2-1/8"	13-7/16"	11-1/2"	3/4"	1200	691

TRIPAC

475 KLUG CIRCLE • CORONA, CA 92880-6406
(951) 280-4488 • FAX: (951) 272-4445

TRIPAC FIG. TP-4CI A.W.W.A. PIPE CLAMP

SIZE RANGE-4" THRU 24" PIPE

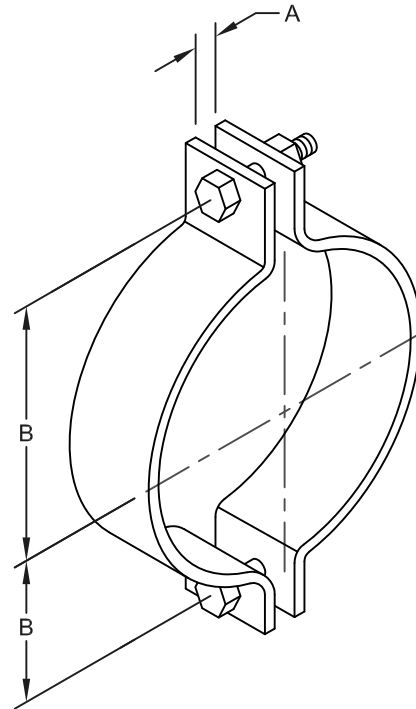
SERVICE-DESIGNED FOR SUSPENSION OF FLANGED OR BELL AND SPIGOT A.W.W.A. CAST IRON OR DUCTILE IRON PIPE.

MATERIAL-CARBON STEEL, T-304 AND T-316

FINISHES-PLAIN, ELECTRO-GALVANIZED, HDG

COMPLIES WITH FEDERAL SPECIFICATION WW-H-171-E (TYPE #4) AND MANUFACTURERS STANDARDIZATION SOCIETY MSS SP-69 (TYPE #4)

MAXIMUM TEMPERATURE-650°F / 343°C



DIMENSIONS & WEIGHTS

PIPE SIZE	PIPE O.D.	A	B	BOLT SIZE	MAX. REC. LOAD LBS	APPROX. WT./100
4"	4.80"	1-1/8"	4-1/16"	5/8"	1400	860
6"	6.90"	1-1/8"	5-1/16"	5/8"	1400	1060
8"	9.05"	1-1/8"	6-3/16"	5/8"	1400	1230
10"	11.10"	1-1/8"	7-1/4"	5/8"	1400	1430
12"	13.20"	1-1/8"	8-5/16"	5/8"	1400	1630
14"	15.30"	1-3/4"	9-7/8"	3/4"	2000	2300
16"	17.40"	1-3/4"	11-5/16"	7/8"	2500	3725
18"	19.50"	1-7/8"	12-9/16"	1"	3000	4200
20"	21.60"	2"	13-5/8"	1"	3100	4575
24"	25.80"	2"	16-5/16"	1-1/4"	4500	6400

TRIPAC

475 KLUG CIRCLE • CORONA, CA 92880-6406
(951) 280-4488 • FAX: (951) 272-4445

12

A DIVISION OF TRIPAC MARKETING, INC.

WWW.TRIPACONLINE.COM

TRIPAC FIG. TP-4H HEAVY DUTY PIPE CLAMP

SIZE RANGE-3" THRU 24" PIPE

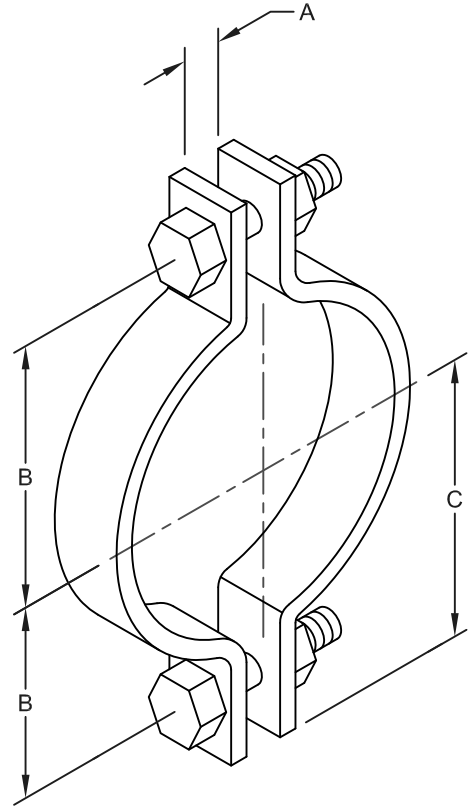
SERVICE-DESIGNED FOR SUSPENSION OF HEAVY-DUTY PIPE LINES.

MATERIAL-CARBON STEEL, T-304 AND T-316

FINISHES-PLAIN, ELECTRO-GALVANIZED, HDG

COMPLIES WITH FEDERAL SPECIFICATION WW-H-171-E (TYPE #4) AND MANUFACTURERS STANDARDIZATION SOCIETY MSS SP-69 (TYPE #4)

MAXIMUM TEMPERATURE RATING-750°F / 399°C



DIMENSIONS & WEIGHTS

PIPE SIZE	A	B	C	BOLT SIZE	MAX. REC. LOAD LBS.-TEMPS		APPROX. WT./100
					650°F / 343°C	750°F / 399°C	
3"	1"	3"	4-1/8"	3/4"	3370	3005	498
4"	1"	3-11/16"	4-15/16"	7/8"	3515	3135	634
5"	1"	4-5/16"	5-9/16"	7/8"	3515	3135	714
6"	1-1/8"	5-3/16"	6-11/16"	1"	4865	4340	1351
8"	1-1/8"	6-1/4"	7-3/4"	1"	4865	4340	1573
10"	1-1/4"	7-7/8"	9-1/2"	1-1/4"	6010	5360	2537
12"	1-5/8"	9-1/2"	11-5/8"	1-1/2"	8675	7740	4300
14"	1-5/8"	10-1/8"	12-1/4"	1-1/2"	9120	8135	5228
16"	1-5/8"	11-3/16"	13-5/16"	1-1/2"	9120	8135	5657
18"	1-5/8"	12-3/16"	14-5/16"	1-1/2"	9150	8160	6914
20"	1-5/8"	13-5/16"	15-7/16"	1-1/2"	9150	8160	7468
24"	1-3/4"	15-3/8"	17-3/4"	1-1/2"	9200	8205	12629

TRIPAC

475 KLUG CIRCLE • CORONA, CA 92880-6406
(951) 280-4488 • FAX: (951) 272-4445

TRIPAC FIG. TP-5 STANDARD DOUBLE BOLT PIPE CLAMP

SIZE RANGE-1/2" THRU 36" PIPE

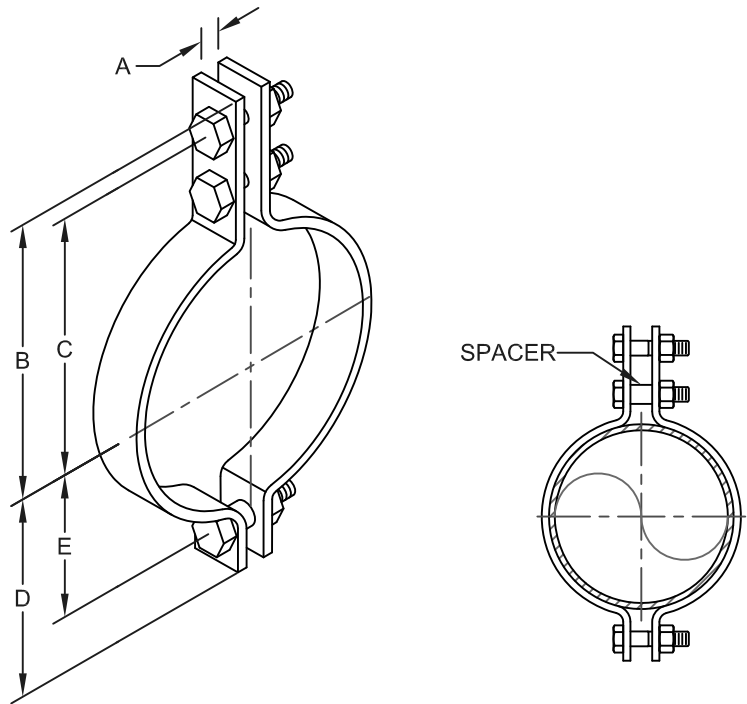
SERVICE-DESIGNED FOR SUSPENSION OF INSULATED PIPE TYPICALLY USED WITH EYE ROD OR WELDLESS EYE NUT

MATERIAL-CARBON STEEL, T-304 AND T-316

FINISHES-PLAIN, ELECTRO-GALVANIZED, HDG

COMPLIES WITH FEDERAL SPECIFICATION WW-H-171-E (TYPE #3) AND MANUFACTURERS STANDARDIZATION SOCIETY MSS SP-69 (TYPE #3)

MAXIMUM TEMPERATURE -750°F / 399°C



DIMENSIONS & WEIGHTS

PIPE SIZE	A	B	C	D	E	BOLT SIZE	MAX. REC. LOAD LBS.-TEMPS		APPROX. WT./100
							650°F / 343°C	750°F / 399°C	
1/2"	3/8"	2-13/16"	2-3/8"	1-1/2"	7/8"	3/8"	950	---	73
3/4"	5/8"	3"	2-3/8"	1-11/16"	1-1/16"	3/8"	950	---	73
1"	5/8"	3-1/4"	2-5/8"	1-15/16"	1-5/16"	3/8"	950	---	77
1-1/4"	5/8"	3-1/2"	2-7/8"	2-3/16"	1-9/16"	3/8"	950	---	79
1-1/2"	1"	5-3/8"	4-1/2"	2-5/8"	1-3/4"	5/8"	1545	1380	236
2"	1"	5-13/16"	4-15/16"	2-15/16"	2-1/16"	5/8"	1545	1380	251
2-1/2"	1"	6-1/8"	5-1/4"	3-1/4"	2-3/8"	5/8"	1545	1380	274
3"	1"	6-3/4"	5-7/8"	3-5/8"	2-11/16"	5/8"	1545	1380	289
3-1/2"	1"	7-3/16"	6-5/16"	3-7/8"	3"	5/8"	1545	1380	315
4"	1"	7-3/4"	6-5/8"	4-11/16"	3-9/16"	3/4"	2500	2230	745
5"	1"	8-9/16"	7-7/16"	5-5/16"	4-3/16"	3/4"	2500	2230	828
6"	1-1/2"	9-7/8"	8-1/2"	6-1/8"	4-3/4"	7/8"	2865	2555	1261
8"	1-1/2"	11"	9-5/8"	7-5/16"	5-15/16"	7/8"	2865	2555	1535
10"	1-1/2"	12"	10-1/2"	8-7/8"	7-5/16"	1"	3240	2890	2173
12"	1-1/2"	13-1/8"	11-5/8"	9-15/16"	8-7/16"	1"	3240	2890	2404
14"	2"	14-5/16"	12-9/16"	11-5/16"	9-9/16"	1-1/4"	4300	3835	4002
16"	2"	15-9/16"	13-13/16"	12-5/16"	10-9/16"	1-1/4"	4300	3835	4362
18"	2"	16-7/8"	15-1/8"	13-3/8"	11-5/8"	1-1/4"	4300	3835	4935
20"	2"	18-3/4"	16-7/8"	15-1/8"	13-1/4"	1-3/8"	5490	4900	6570
24"	2"	20-7/16"	18-7/16"	17-5/16"	15-5/16"	1-3/8"	4500	4015	7524
30"	2-1/2"	26"	23"	22"	19"	1-3/8"	7500	---	19502
36"	2-1/2"	32-3/8"	28-7/8"	25-5/8"	22-1/8"	1-3/4"	10500	---	23488

TRIPAC

475 KLUG CIRCLE • CORONA, CA 92880-6406
(951) 280-4488 • FAX: (951) 272-4445

14

A DIVISION OF TRIPAC MARKETING, INC.

WWW.TRIPACONLINE.COM

TRIPAC FIG. TP-5H HEAVY DUTY DOUBLE BOLT PIPE CLAMP

SIZE RANGE-6" THRU 36" PIPE

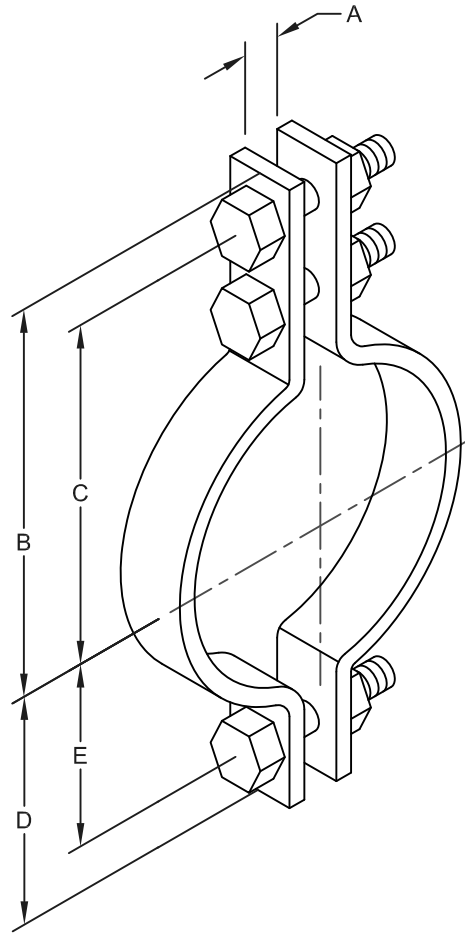
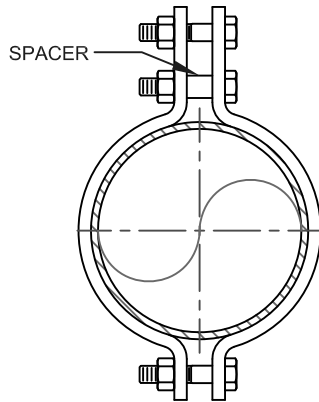
SERVICE-DESIGNED FOR SUSPENSION OF HEAVY DUTY HIGH TEMPERATURE PIPE RUNS REQUIRING UP TO 4" OF INSULATION AND WHERE FLEXIBILITY OF THE CLAMP MAY BE NECESSARY.

MATERIAL-CARBON STEEL, T-304 AND T-316

FINISHES-PLAIN, ELECTRO-GALVANIZED, HDG

COMPLIES WITH FEDERAL SPECIFICATION WW-H-171-E (TYPE #3) AND MANUFACTURERS STANDARDIZATION SOCIETY MSS SP-69 (TYPE #3)

MAXIMUM TEMPERATURE -750°F / 399°C



DIMENSIONS & WEIGHTS

PIPE SIZE	A	B	C	D	E	BOLT SIZE	MAX. REC. LOAD LBS.-TEMPS		APPROX. WT./100
							650°F / 343°C	750°F / 399°C	
6"	1-3/4"	10-3/16"	8-15/16"	6"	4-3/4"	1"	3500	3125	1200
8"	2"	11-3/8"	10-1/8"	7-1/4"	6"	1-1/8"	4800	4285	1850
10"	2-1/4"	13-1/8"	11-3/8"	9"	7-1/4"	1-1/4"	5500	4910	3030
12"	2-1/2"	14-5/16"	12-9/16"	10-3/8"	8-5/8"	1-3/8"	7000	6250	4200
14"	2-1/2"	15-1/2"	13-1/2"	11-5/8"	9-5/8"	1-1/2"	9500	8485	6000
16"	3"	17-1/8"	14-7/8"	13-1/8"	10-7/8"	1-3/4"	10000	8930	8000
18"	3-1/2"	18-1/4"	16-1/4"	14-1/2"	12-1/2"	2"	13800	12325	11500
20"	3-1/2"	19-3/4"	17-1/4"	16"	13-1/2"	2"	15300	13665	14000
24"	3-1/2"	22-3/8"	19-5/16"	18-1/2"	15-1/2"	2"	16300	14555	19000
30"	4-1/4"	32-3/4"	28-1/4"	24-3/8"	19-7/8"	2-1/4"	20500	---	40600
36"	4-1/2"	40-1/4"	34-3/4"	30-1/8"	22-5/8"	2-3/4"	28000	---	67800

TRIPAC

475 KLUG CIRCLE • CORONA, CA 92880-6406
(951) 280-4488 • FAX: (951) 272-4445

TRIPAC FIG. TP-6 RISER CLAMP

SIZE RANGE-1/2" THRU 20" PIPE

SERVICE-DESIGNED FOR SUPPORTING VERTICAL PIPING

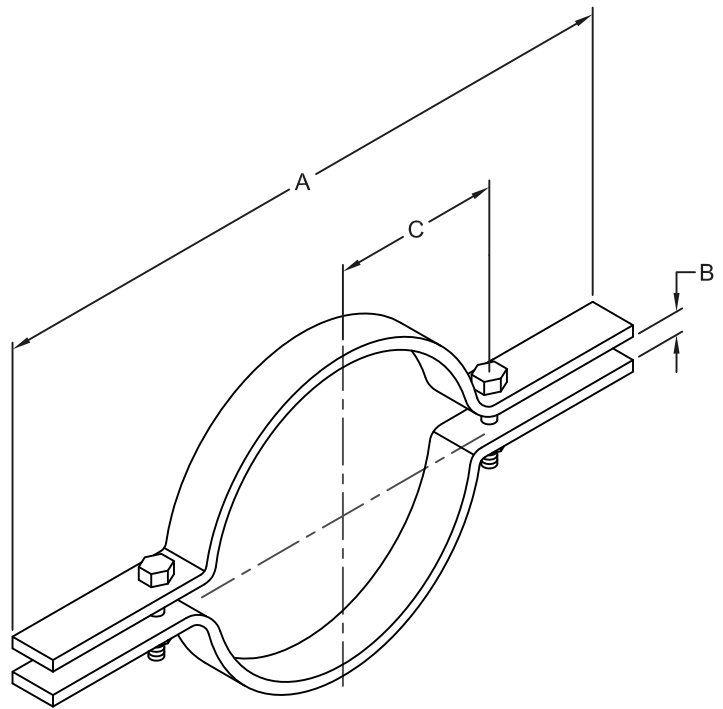
MATERIAL-CARBON STEEL, T-304 AND T-316

FINISHES-PLAIN, ELECTRO-GALVANIZED, HDG

COMPLIES WITH FEDERAL SPECIFICATION WW-H-171-E (TYPE #8) AND MANUFACTURERS STANDARDIZATION SOCIETY MSS SP-58 AND SP-69 (TYPE #8)

MAXIMUM TEMPERATURE RATING-650°F / 343°C

AVAILABLE WITH FELT AND PVC COATED UPON REQUEST



DIMENSIONS & WEIGHTS

PIPE SIZE	A	B	C	BOLT SIZE	MAX. REC. LOAD LBS	APPROX. WT./100
1/2"	9-1/4"	1/2"	1-1/8"	3/8"	255	144
3/4"	9-1/4"	1/2"	1-1/8"	3/8"	255	144
1"	9-9/16"	1/2"	1-1/4"	3/8"	255	147
1-1/4"	9-11/16"	1/2"	1-3/8"	3/8"	255	150
1-1/2"	10-3/8"	1/2"	1-1/2"	3/8"	255	153
2"	10-3/4"	1/2"	2"	3/8"	255	165
2-1/2"	11"	5/8"	2-1/4"	3/8"	390	228
3"	12"	5/8"	3"	3/8"	530	246
3-1/2"	13"	5/8"	3-1/4"	1/2"	670	264
4"	13-1/2"	3/4"	3-3/8"	1/2"	810	347
5"	14-1/2"	3/4"	4-3/8"	1/2"	1160	386
6"	15-1/8"	7/8"	4-7/8"	1/2"	1570	564
8"	18-1/2"	1"	5-3/4"	5/8"	2500	1017
10"	20-1/4"	1"	7-1/4"	5/8"	2500	1138
12"	22-3/4"	1"	8-1/4"	5/8"	2700	1759
14"	24"	1-1/8"	9"	5/8"	2700	1922
16"	26"	1-1/8"	10-1/4"	3/4"	2900	3245
18"	28"	1-1/4"	11-1/2"	3/4"	2900	3372
20"	30"	1-3/8"	12-1/2"	3/4"	2900	3499

TRIPAC

475 KLUG CIRCLE • CORONA, CA 92880-6406
(951) 280-4488 • FAX: (951) 272-4445

16

A DIVISION OF TRIPAC MARKETING, INC.

WWW.TRIPACONLINE.COM

TRIPAC FIG. TP-7 OFFSET PIPE CLAMP

SIZE RANGE-1/2" THRU 12" PIPE

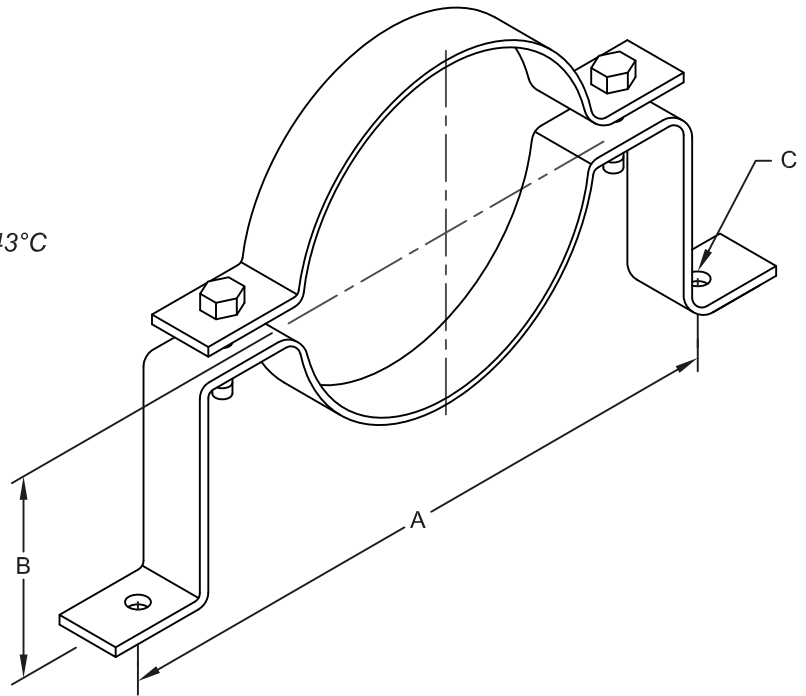
SERVICE-DESIGNED FOR SUPPORT OF PIPING RUNNING AT A SPECIFIC DISTANCE FROM THE WALL OR FLOOR.

MATERIAL-CARBON STEEL, T-304 AND T-316

FINISHES-PLAIN, ELECTRO-GALVANIZED, HDG

NOTE- SPECIAL "B" DIMENSIONS AVAILABLE UPON REQUEST.

MAXIMUM TEMPERATURE RATING-650°F / 343°C



DIMENSIONS & WEIGHTS

PIPE SIZE	A	B	HOLE SIZE C	BOLT SIZE	MAX. REC. LOAD LBS	APPROX. WT./100
1/2"	5-13/16"	2-7/16"	7/16"	3/8"	190	107
3/4"	5-15/16"	2-1/2"	7/16"	3/8"	190	109
1"	6-1/4"	2-5/8"	7/16"	3/8"	190	116
1-1/4"	6-11/16"	2-3/4"	7/16"	3/8"	190	126
1-1/2"	6-15/16"	3"	7/16"	3/8"	190	134
2"	8-5/16"	3-3/16"	7/16"	3/8"	420	191
2-1/2"	8-7/8"	3-7/16"	7/16"	3/8"	420	209
3"	9-1/2"	3-3/4"	7/16"	3/8"	420	232
3-1/2"	10-1/16"	4"	7/16"	3/8"	420	250
4"	10-9/16"	4-1/4"	9/16"	1/2"	610	370
6"	14-3/8"	5-5/16"	9/16"	1/2"	870	650
8"	16-7/16"	6-5/16"	9/16"	1/2"	870	787
10"	21-1/2"	7-3/8"	13/16"	3/4"	925	1238
12"	24-7/8"	8-3/8"	13/16"	3/4"	1225	2100

TRIPAC

475 KLUG CIRCLE • CORONA, CA 92880-6406
(951) 280-4488 • FAX: (951) 272-4445

17

A DIVISION OF TRIPAC MARKETING, INC.

WWW.TRIPACONLINE.COM

TRIPAC FIG. TP-8 EXTENDED PIPE CLAMP

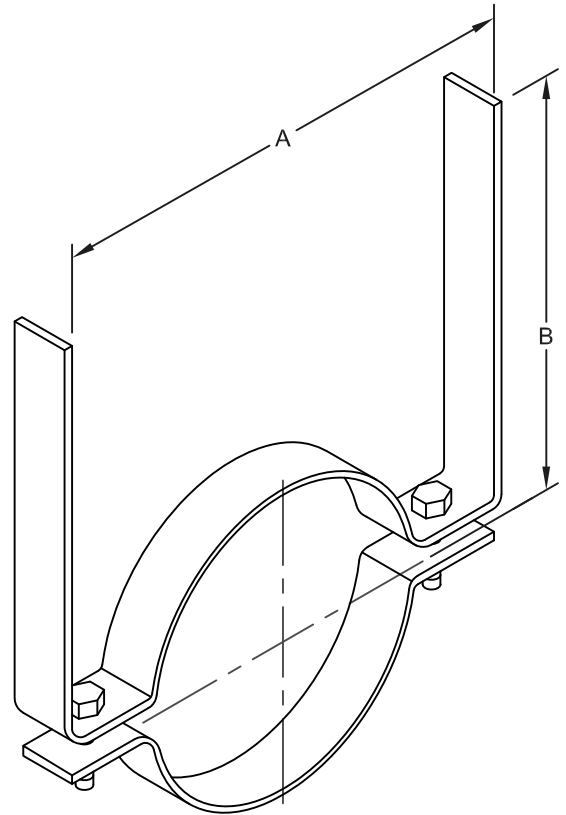
SIZE RANGE-3/4" THRU 8" PIPE

SERVICE-DESIGNED FOR SUSPENSION OR SUPPORTING PIPING RUNS WHERE THE PIPE CANNOT BE DETERMINED UNTIL INSTALLATION. MODIFY IN FIELD TO SUIT CONDITIONS

MATERIAL-CARBON STEEL, T-304 AND T-316

FINISHES-PLAIN, ELECTRO-GALVANIZED, HDG

MAXIMUM TEMPERATURE -650°F / 343°C



DIMENSIONS & WEIGHTS

PIPE SIZE	A	B	BOLT SIZE	APPROX. WT./100
3/4"	4-7/16"	12"	3/8"	225
1"	4-11/16"	12"	3/8"	230
1-1/4"	5"	12"	3/8"	235
1-1/2"	5-1/4"	12"	3/8"	240
2"	6"	12"	1/2"	345
2-1/2"	7-1/4"	12"	1/2"	360
3"	7-7/8"	12"	1/2"	375
3-1/2"	8-3/8"	12"	1/2"	390
4"	9-1/4"	12"	1/2"	500
5"	10-1/2"	12"	1/2"	545
6"	12-1/2"	12"	5/8"	870
8"	14-5/8"	12"	5/8"	980

TRIPAC

475 KLUG CIRCLE • CORONA, CA 92880-6406
(951) 280-4488 • FAX: (951) 272-4445

18

A DIVISION OF TRIPAC MARKETING, INC.

WWW.TRIPACONLINE.COM

TRIPAC FIG. TP-9 UNDERGROUND SOCKET CLAMP

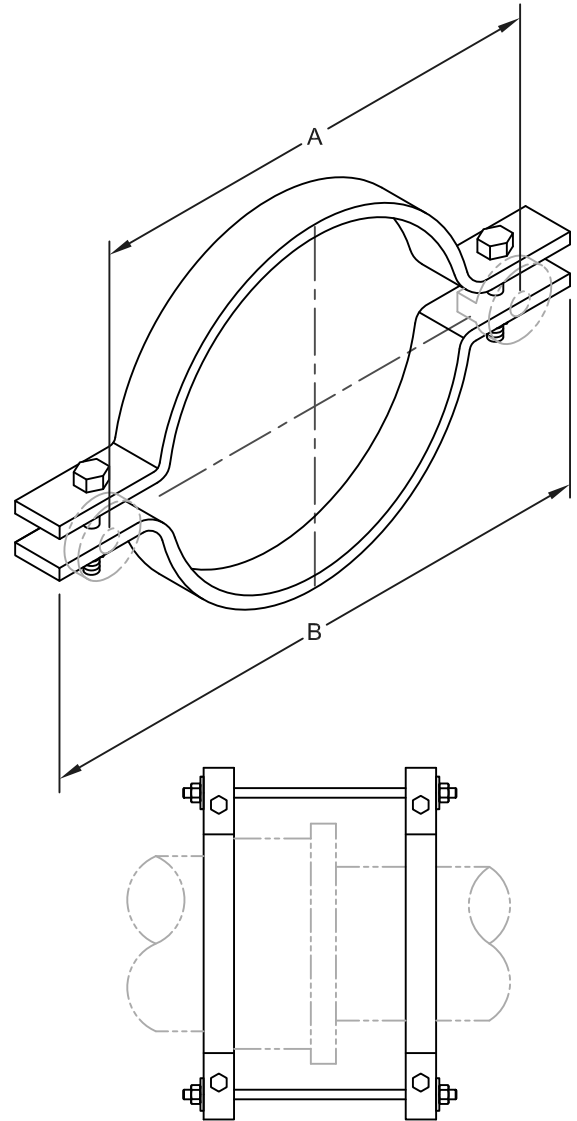
SIZE RANGE-4" THRU 24" PIPE

SERVICE-DESIGNED TO KEEP AWWA CAST IRON AND DUCTILE IRON PIPE FROM SEPARATING.

MATERIAL-CARBON STEEL, T-304 AND T-316

FINISHES-PLAIN, ELECTRO-GALVANIZED, HDG

ORDER FIG TP-9X WASHERS, TIE RODS AND HEX NUTS SEPARATELY



DIMENSIONS & WEIGHTS

PIPE SIZE	PIPE O.D.	A	B	BOLT SIZE	TP-9X WASHER SIZE	APPROX. WT./100
4"	4.80"	10-9/16"	12-1/2"	5/8"	3/4"	866
6"	6.90"	13"	15-1/8"	5/8"	3/4"	1058
8"	9.05"	16"	17-7/8"	5/8"	3/4"	1246
10"	11.10"	17-3/4"	19-1/8"	5/8"	3/4"	1434
12"	13.20"	19-3/4"	23"	5/8"	3/4"	1614
14"	15.30"	25-3/4"	27-7/8"	7/8"	1-1/4"	4557
16"	17.40"	29-3/16"	31-7/8"	1"	1-1/4"	6730
18"	19.50"	31"	33-11/16"	1-1/4"	1-1/4"	7643
20"	21.60"	30-1/8"	35-7/8"	1-1/4"	1-1/2"	9174
24"	25.80"	36-5/8"	40-5/8"	1-1/2"	1-1/2"	11991

TRIPAC FIG. TP-9X SOCKET CLAMP WASHER

SIZE RANGE-3/4" THRU 1-1/2" ROD

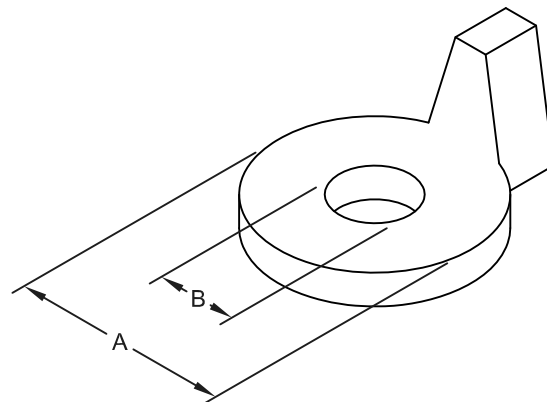
SERVICE-USED IN CONJUNCTION WITH THE TP-9 TO SECURE TIE RODS.

MATERIAL-CARBON STEEL, T-304 AND T-316

FINISHES-PLAIN, ELECTRO-GALVANIZED, HDG

DIMENSIONS & WEIGHTS

TIE ROD SIZE	A	B	APPROX. WT./100
3/4"	2-3/8"	7/8"	95
1"	4"	1-5/16"	253
1-1/4"	4"	1-3/8"	248
1-1/2"	4"	1-5/8"	240



TRIPAC

475 KLUG CIRCLE • CORONA, CA 92880-6406
(951) 280-4488 • FAX: (951) 272-4445

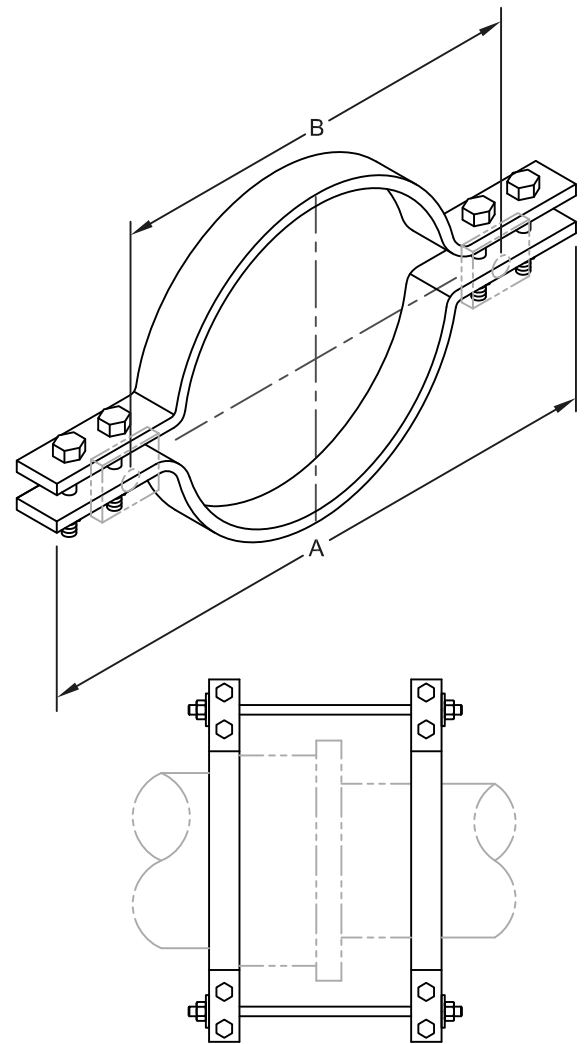
TRIPAC FIG. TP-14 DOUBLE BOLT-UNDERGROUND SOCKET CLAMP

SIZE RANGE-4" THRU 24" PIPE

SERVICE-DESIGNED TO KEEP AWWA CAST IRON AND DUCTILE IRON PIPE FROM SEPARATING.

MATERIAL-CARBON STEEL, T-304 AND T-316

FINISHES-PLAIN, ELECTRO-GALVANIZED, HDG



DIMENSIONS & WEIGHTS

PIPE SIZE	PIPE O.D.	A	B	BOLT SIZE	TP-14X WASHER SIZE	APPROX. WT./100
4"	4.80"	14-1/16"	9-5/16"	5/8"	3/4"	1275
6"	6.90"	16-7/16"	11-11/16"	5/8"	3/4"	1455
8"	9.05"	19-5/8"	14-7/8"	5/8"	3/4"	2350
10"	11.10"	21-13/16"	17-1/16"	3/4"	3/4"	2925
12"	13.20"	24-1/2"	19-1/4"	7/8"	1"	4030
14"	15.30"	26-15/16"	21-11/16"	7/8"	1"	5385
16"	17.40"	30-3/4"	24-3/4"	1"	1-1/8"	7645
18"	19.50"	34-5/16"	27-5/16"	1-1/4"	1-1/4"	9425
20"	21.60"	36-5/8"	29-5/8"	1-1/4"	1-1/2"	10975
24"	25.80"	42-1/8"	34-3/8"	1-1/2"	1-1/2"	14865

TRIPAC FIG. TP-14X PLATE WASHER

SIZE RANGE-3/4" THRU 1-1/2" ROD

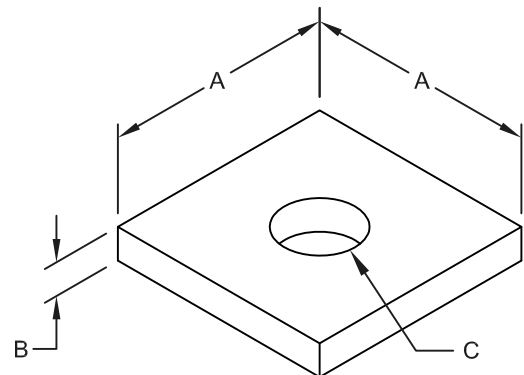
SERVICE-USED IN CONJUNCTION WITH THE TP-14 TO SECURE TIE RODS.

MATERIAL-CARBON STEEL, T-304 AND T-316

FINISHES-PLAIN, ELECTRO-GALVANIZED

DIMENSIONS & WEIGHTS

TIE ROD SIZE	A	B	HOLE SIZE C	APPROX. WT./100
3/4"	3"	1/2"	7/8"	120
1"	3-1/2"	1/2"	1-1/8"	157
1-1/8"	3-1/2"	5/8"	1-1/4"	194
1-1/4"	3-1/2"	3/4"	1-3/8"	230
1-1/2"	3-1/2"	3/4"	1-5/8"	240



TRIPAC

475 KLUG CIRCLE • CORONA, CA 92880-6406
(951) 280-4488 • FAX: (951) 272-4445

TRIPAC FIG. TP-20 STANDARD PIPE STRAP TRIPAC FIG. TP-20S FLUSH MOUNT PIPE STRAP

SIZE RANGE-1/2" THRU 8" PIPE

SERVICE-DESIGNED FOR SUPPORTING PIPE VERTICALLY OR HORIZONTALLY TO WALLS OR CEILING. TP-20S WILL MOUNT FLUSH TO SURFACE.

MATERIAL-CARBON STEEL, T-304 AND T-316

FINISHES-PLAIN, ELECTRO-GALVANIZED, HDG

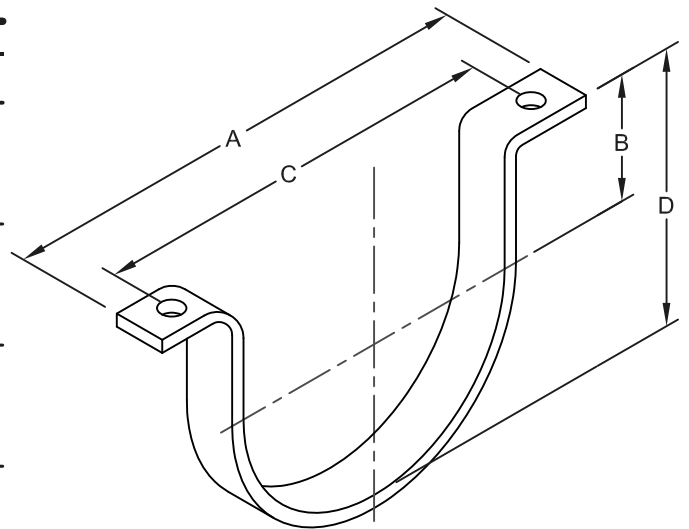
COMPLIES WITH FEDERAL SPECIFICATION WW-H-171-E (TYPE #26) AND MANUFACTURERS STANDARDIZATION SOCIETY MSS SP-69 (TYPE #26)

DATA TABLE FOR FIG. TP-20

DIMENSIONS & WEIGHTS							
PIPE SIZE	A	B	C	D	HOLE SIZE	MAX. REC. LOAD Lbs.	APPROX. WT./100
1/2"	3-7/8"	3/4"	3-1/16"	15/32"	7/16"	410	16
3/4"	4"	13/16"	3-1/8"	1-5/16"	7/16"	410	21
1"	4-9/16"	7/8"	3-3/8"	1-1/2"	7/16"	410	26
1-1/4"	4-15/16"	1"	3-3/4"	1-7/8"	7/16"	410	30
1-1/2"	5-3/16"	1-3/16"	4-1/4"	2-1/8"	7/16"	410	33
2"	5-3/4"	1-7/16"	4-3/4"	2-5/8"	7/16"	410	38
2-1/2"	6-1/4"	1-11/16"	5-1/4"	3-1/8"	7/16"	610	102
3"	6-7/8"	2"	5-7/8"	3-3/4"	7/16"	610	118
3-1/2"	7-3/8"	2-1/4"	6-3/8"	4-1/4"	7/16"	610	130
4"	8-3/8"	2-1/2"	7"	4-3/4"	9/16"	725	159
5"	9-7/16"	3-1/16"	7-7/8"	5-13/16"	9/16"	725	191
6"	10-1/2"	3-5/8"	8-7/8"	6-7/8"	9/16"	725	234
8"	14"	4-5/8"	11-1/2"	9"	11/16"	900	446

DATA TABLE FOR FIG. TP-20S

DIMENSIONS & WEIGHTS							
PIPE SIZE	A	B	C	D	HOLE SIZE	MAX. REC. LOAD Lbs.	APPROX. WT./100
1/2"	4-1/8"	5/16"	2-7/8"	3/4"	7/16"	410	21
3/4"	4-5/16"	7/16"	3"	15/16"	7/16"	410	24
1"	4-9/16"	9/16"	3-3/8"	1-1/8"	7/16"	410	26
1-1/4"	4-15/16"	11/16"	3-3/4"	1-1/2"	7/16"	410	30
1-1/2"	5-3/16"	13/16"	4-1/4"	1-5/8"	7/16"	410	33
2"	5-3/4"	1-1/16"	4-3/4"	2-1/4"	7/16"	410	38
2-1/2"	6-1/4"	1-9/16"	5-1/4"	2-3/4"	7/16"	610	102
3"	6-7/8"	1-5/8"	5-7/8"	3-3/8"	7/16"	610	118
3-1/2"	7-3/8"	1-7/8"	6-3/8"	3-7/8"	7/16"	610	130
4"	8-3/8"	2-1/8"	7"	4-3/8"	9/16"	725	159
5"	9-7/16"	2-5/8"	7-7/8"	5-3/8"	9/16"	725	191
6"	10-1/2"	3-3/16"	8-7/8"	6-7/16"	9/16"	725	234
8"	14"	4-1/4"	11-1/2"	8-3/8"	11/16"	900	446



TRIPAC FIG. TP-30 LIGHT WELDED BRACKET

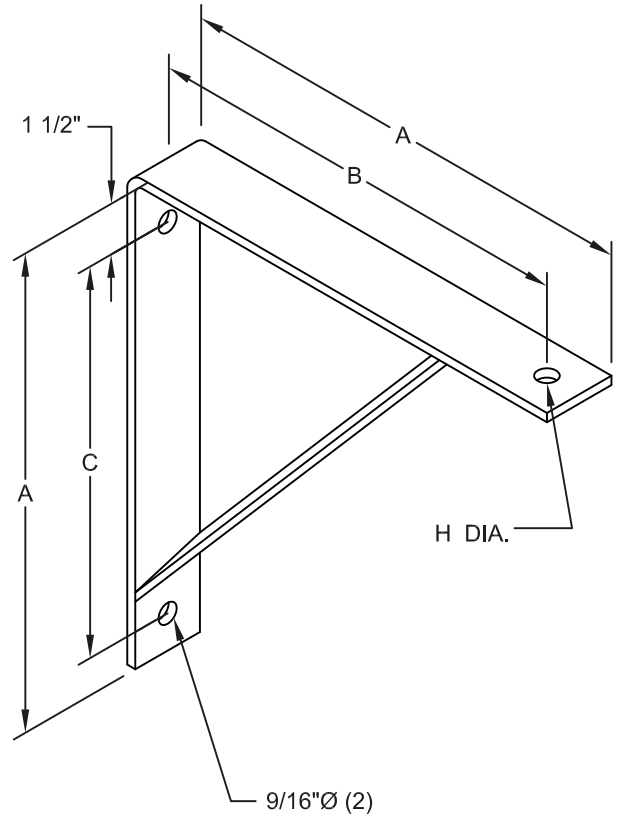
SERVICE-DESIGNED FOR SUSPENSION OF PIPE AWAY FROM MOUNTING SURFACE

MATERIAL-CARBON STEEL, T-304 AND T-316

FINISHES-PLAIN, ELECTRO-GALVANIZED, HDG

COMPLIES WITH FEDERAL SPECIFICATION WW-H-171-E (TYPE #32) AND MANUFACTURERS STANDARDIZATION SOCIETY MSS SP-69 (TYPE #31)

SPECIFY A AND H DIMENSIONS



DIMENSIONS & WEIGHTS

A	B	C	MAX. REC. LOAD Lbs.
9"	8"	6-1/2"	750
13"	12"	10-1/2"	750
19"	18"	16-1/2"	750

TRIPAC

475 KLUG CIRCLE • CORONA, CA 92880-6406
(951) 280-4488 • FAX: (951) 272-4445

TRIPAC FIG. TP-30L WELDED BRACKET-LIGHT DUTY TRIPAC FIG. TP-30M WELDED BRACKET-MEDIUM DUTY TRIPAC FIG. TP-30H WELDED BRACKET-HEAVY DUTY

SERVICE-DESIGNED FOR SUPPORTING PIPE AWAY FROM MOUNTING SURFACE

MATERIAL-CARBON STEEL, T-304 AND T-316

FINISHES-PLAIN, ELECTRO-GALVANIZED, HDG

COMPLIES WITH FEDERAL SPECIFICATION WW-H-171-E (TYPE #32,33, & 34) AND MANUFACTURERS STANDARDIZATION SOCIETY MSS SP-69 (TYPE #31, 32, &33)

FIG. TP-30L

DIMENSIONS & WEIGHTS

SIZES	A	B	C	HOLE SIZE	MAX. REC. LOAD Lbs.	APPROX. WT./100
1	13"	9"	11-1/2"	9/16"	750	571
2	17"	13"	15-1/2"	9/16"	750	769
3	23"	19"	21-1/2"	9/16"	750	1057

FIG. TP-30M

DIMENSIONS & WEIGHTS

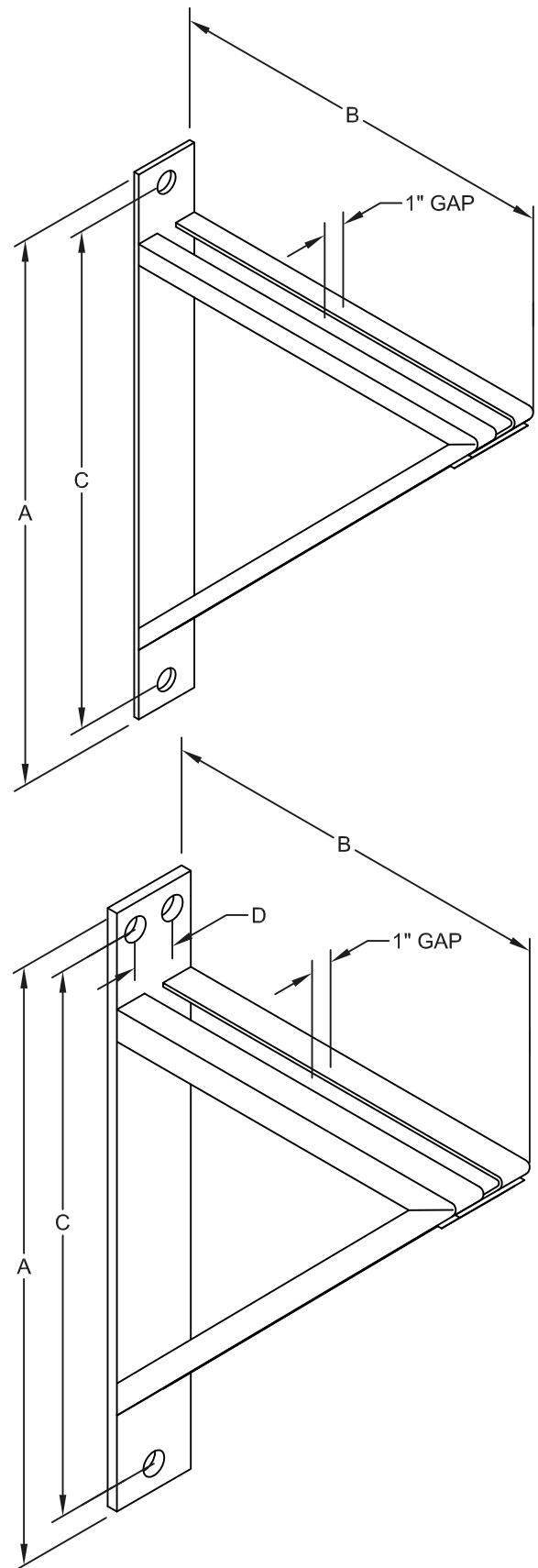
SIZES	A	B	C	HOLE SIZE	MAX. REC. LOAD Lbs.	APPROX. WT./100
0	18"	12"	15-1/2"	13/16"	1500	1577
1	24"	18"	21-1/2"	13/16"	1500	2578
2	30"	24"	27-1/2"	13/16"	1500	4446

FIG. TP-30H

DIMENSIONS & WEIGHTS

SIZES	A	B	C	D	HOLE SIZE	MAX. REC. LOAD Lbs.	APPROX. WT./100
1	18"	23"	15-1/4"	*	1-1/8"	3000	2195
2	24"	18"	21-1/4"	2-1/2"	1-1/8"	3000	4398
3	30"	24"	27-1/4"	2-1/2"	1-1/8"	3000	6294
4	36"	30"	33"	2-1/2"	1-1/8"	3000	7196
5	42"	36"	39"	3-1/2"	1-1/8"	3000	13197
6	50"	42"	46"	3-1/2"	1-1/8"	3000	15795

* ONE HOLE



TRIPAC

475 KLUG CIRCLE • CORONA, CA 92880-6406
(951) 280-4488 • FAX: (951) 272-4445

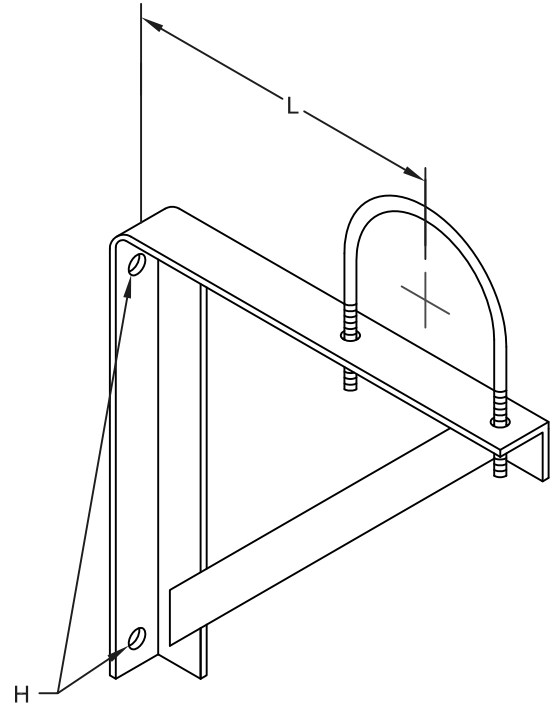
TRIPAC FIG. TP-31-M WELDED KNEE BRACKET

SERVICE-DESIGNED FOR SUSPENSION OF PIPE AWAY FROM MOUNTING SURFACE.

MATERIAL-CARBON STEEL, T-304 AND T-316

FINISHES-PLAIN, ELECTRO-GALVANIZED, HDG

SPECIFY "L" DIMENSION--NOT TO EXCEED 16"



DIMENSIONS & WEIGHTS

PIPE SIZE	H SIZE	MAX. REC. LOAD Lbs.
1/2" - 2-1/2"	9/16"	1000
3"	9/16"	1000
3-1/2"	9/16"	1000
4"	11/16"	1000
5"	11/16"	1000
6"	11/16"	1000
8"	11/16"	1000

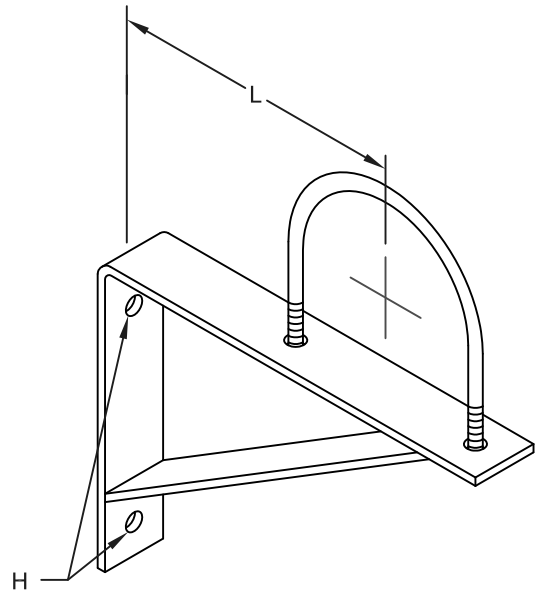
TRIPAC FIG. TP-31-O "O" BRACKET

SERVICE-DESIGNED FOR SUSPENSION OF PIPE AWAY FROM MOUNTING SURFACE.

MATERIAL-CARBON STEEL, T-304 AND T-316

FINISHES-PLAIN, ELECTRO-GALVANIZED, HDG

SPECIFY "L" DIMENSION--NOT TO EXCEED 16"



DIMENSIONS & WEIGHTS

PIPE SIZE	H SIZE	MAX. REC. LOAD Lbs.
1/2" - 2-1/2"	9/16"	450
3"	9/16"	450
3-1/2"	9/16"	450
4"	11/16"	450
5"	11/16"	450
6"	11/16"	450
8"	11/16"	450



TRIPAC FIG. TP-32 ANCHOR CHAIR

SIZE RANGE-1/2" THRU 24" PIPE

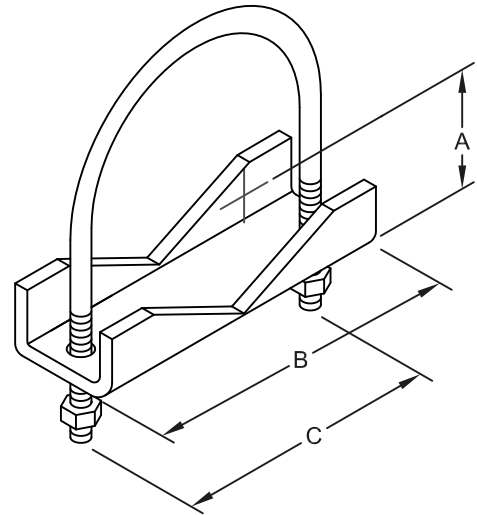
SERVICE-DESIGNED FOR ANCHORING PIPE TO STRUCTURE.

MATERIAL-CARBON STEEL, T-304 AND T-316

FINISHES-PLAIN, ELECTRO-GALVANIZED, HDG

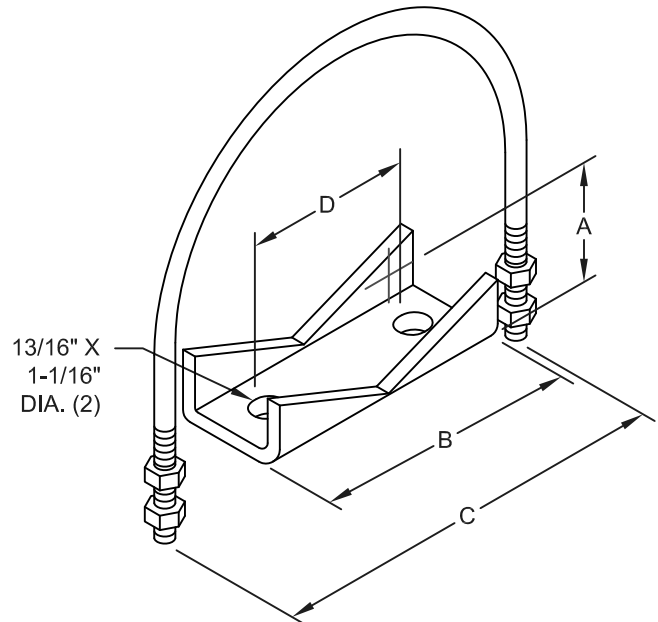
DIMENSIONS & WEIGHTS

PIPE SIZE	U-BOLT DIA.	A	B	C	APPROX. WT./100
1/2"	3/8"	15/16"	4"	1-3/16"	80
3/4"	3/8"	1-1/16"	2-3/8"	1-3/8"	88
1"	3/8"	1-3/16"	2-5/8"	1-3/8"	96
1-1/4"	3/8"	1-3/8"	2-7/8"	2-1/16"	107
1-1/2"	3/8"	1-9/16"	3-1/4"	2-3/8"	118
2"	3/8"	1-3/4"	3-3/8"	2-13/16"	132
2-1/2"	1/2"	2"	4-15/16"	3-7/16"	175
3"	1/2"	2-3/8"	5-9/16"	4-1/16"	215
3-1/2"	1/2"	2-3/8"	6-1/16"	4-9/16"	240
4"	1/2"	2-7/8"	6-9/16"	5-1/16"	265



DIMENSIONS & WEIGHTS

PIPE SIZE	U-BOLT DIA.	A	B	C	D	APPROX. WT./100
5"	1/2"	3-7/16"	4"	6-1/8"	2-1/4"	290
6"	5/8"	4"	5"	7-3/8"	3"	315
8"	5/8"	5-1/4"	7"	9-3/8"	4-1/2"	885
10"	3/4"	6-7/16"	8"	11-5/8"	5-1/2"	1050
12"	7/8"	7-1/2"	9"	13-3/4"	6"	1210
14"	7/8"	8-3/16"	10"	15"	7"	1480
16"	7/8"	9-1/4"	10"	17"	7"	1735
18"	1"	10-3/8"	11"	19-1/8"	7"	2011
20"	1"	11-3/8"	12"	21-1/8"	7"	2332
24"	1"	13-5/8"	12"	25-1/8"	8"	2550



TRIPAC

475 KLUK CIRCLE • CORONA, CA 92880-6406
(951) 280-4488 • FAX: (951) 272-4445

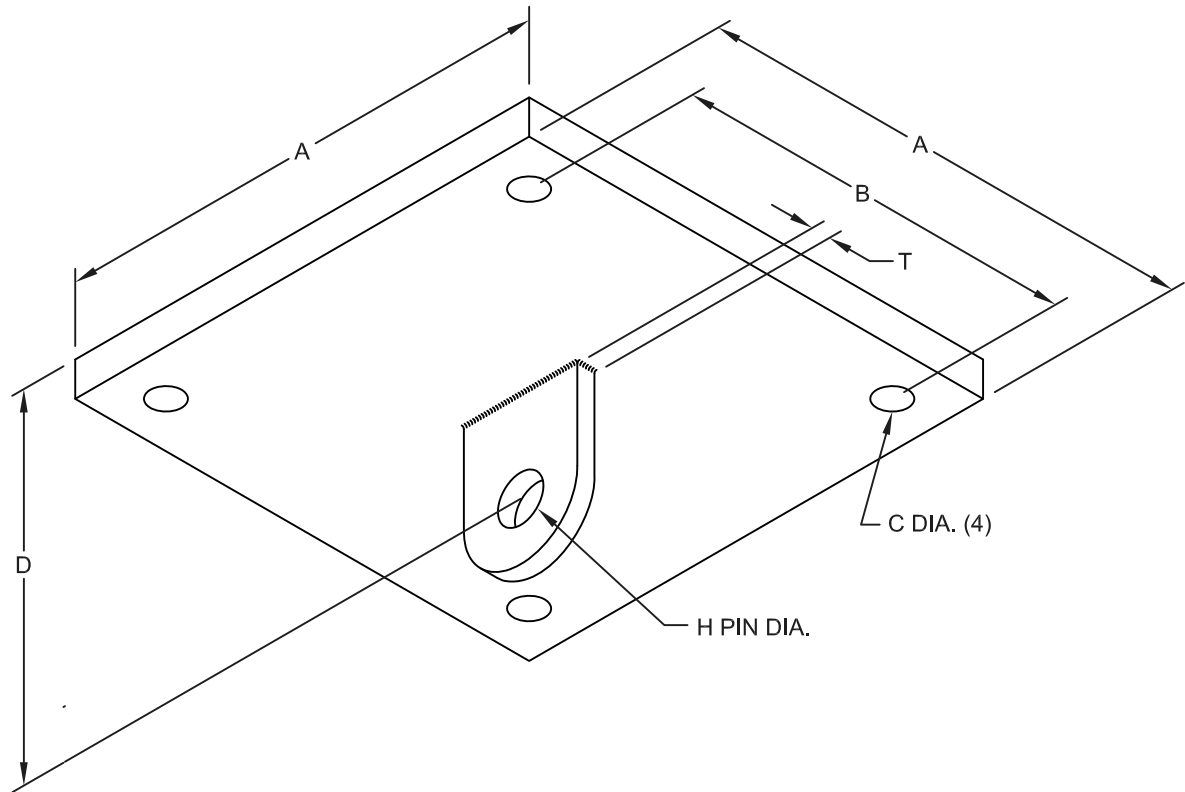
TRIPAC FIG. TP-33 CONCRETE SINGLE LUG PLATE

SIZE RANGE-1/2" THRU 2" ROD

SERVICE-DESIGNED FOR STRUCTURAL ATTACHMENT TO CEILING.

MATERIAL-CARBON STEEL, T-304 AND T-316

FINISHES-PLAIN, ELECTRO-GALVANIZED, HDG



DIMENSIONS & WEIGHTS

ROD SIZE	A	B	C	D	H	T	MAX. REC. LOAD Lbs.*	APPROX. WT./100
1/2"	10"	8"	9/16"	1-7/8"	5/8"	1/4"	1130	1115
5/8"	10"	8"	9/16"	2"	3/4"	1/4"	1810	1465
3/4"	10"	8"	11/16"	2"	7/8"	3/8"	2710	1478
7/8"	10"	8"	11/16"	2-3/4"	1"	3/8"	3770	2195
1"	12"	8"	13/16"	2-3/4"	1-1/8"	1/2"	4960	3185
1-1/4"	12"	8"	15/16"	4"	1-3/8"	5/8"	8000	4385
1-1/2"	12"	8"	1-1/8"	4"	1-5/8"	3/4"	11630	4568
1-3/4"	12"	8"	1-3/8"	4-1/4"	1-7/8"	3/4"	15700	5578
2"	12"	8"	1-3/8"	4-1/4"	2-1/4"	3/4"	20630	5820

* BASED ON ALLOWABLE STRESSES SHOWN IN THE ANSI CODE FOR PRESSURE PIPING.

TRIPAC

475 KLUG CIRCLE • CORONA, CA 92880-6406
(951) 280-4488 • FAX: (951) 272-4445

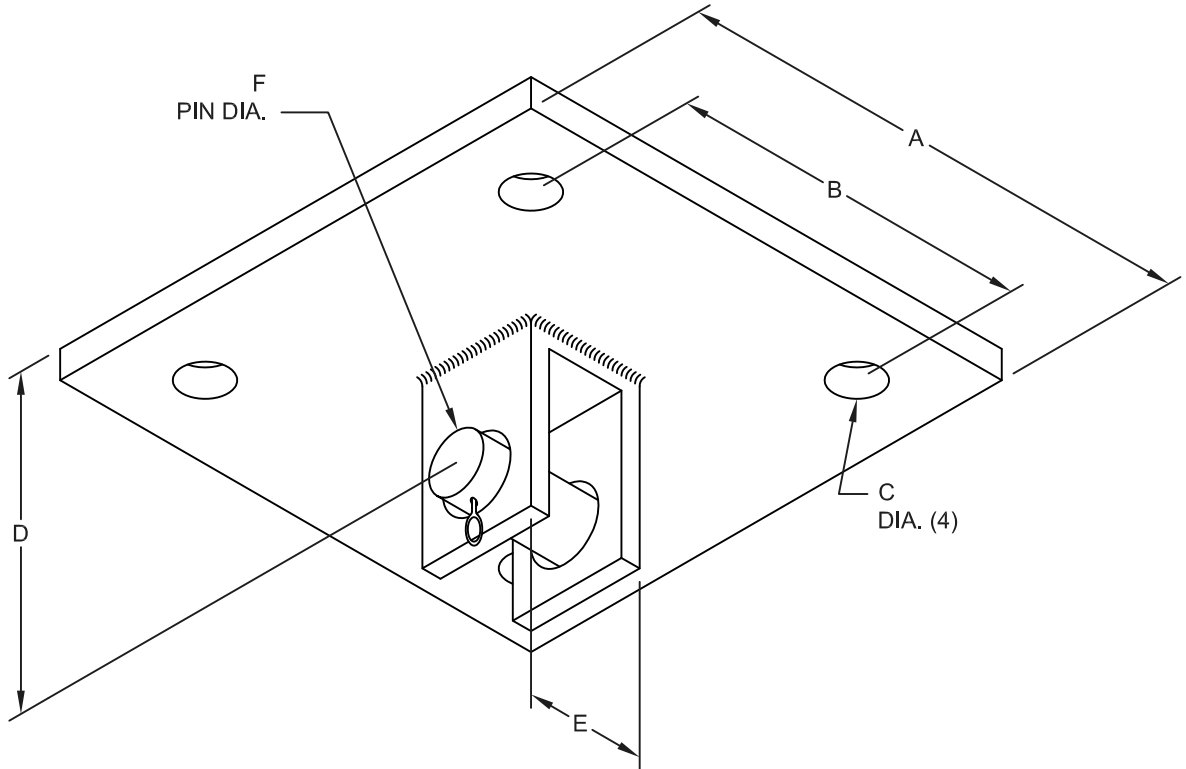
TRIPAC FIG. TP-34 CONCRETE CLEVIS PLATE WITH PIN

SIZE RANGE-3/8" THRU 2" ROD

SERVICE-DESIGNED FOR STRUCTURAL ATTACHMENT TO CEILING WITH FLEXIBILITY.

MATERIAL-CARBON STEEL, T-304 AND T-316

FINISHES-PLAIN, ELECTRO-GALVANIZED, HDG



DIMENSIONS & WEIGHTS

ROD SIZE	A	B	C	D	E	PIN DIA. F	MAX. REC. LOAD Lbs.*	APPROX. WT./100
3/8"	10"	8"	9/16"	2-3/8"	1-3/4"	1/2"	610	1175
1/2"	10"	8"	9/16"	2-3/8"	1-3/4"	5/8"	1130	1185
5/8"	10"	8"	9/16"	2-1/2"	1-3/4"	3/4"	1810	1565
3/4"	10"	8"	11/16"	2-1/2"	2-1/4"	7/8"	2710	1685
7/8"	10"	8"	11/16"	3-1/2"	2-3/4"	1"	3770	1805
1"	12"	8"	13/16"	3-3/4"	3"	1-1/8"	4960	3685
1-1/4"	12"	8"	15/16"	3-3/4"	3-3/4"	1-3/8"	8000	4085
1-1/2"	12"	8"	1-1/8"	5"	4-1/2"	1-5/8"	11630	5975
1-3/4"	14"	10"	1-3/8"	5-1/4"	5-1/4"	1-7/8"	15700	9355
2"	14"	10"	1-3/8"	5-1/4"	5-1/4"	2-1/4"	20700	10000

* BASED ON ALLOWABLE STRESSES SHOWN IN THE ANSI CODE FOR PRESSURE PIPING.

TRIPAC

475 KLUG CIRCLE • CORONA, CA 92880-6406
(951) 280-4488 • FAX: (951) 272-4445

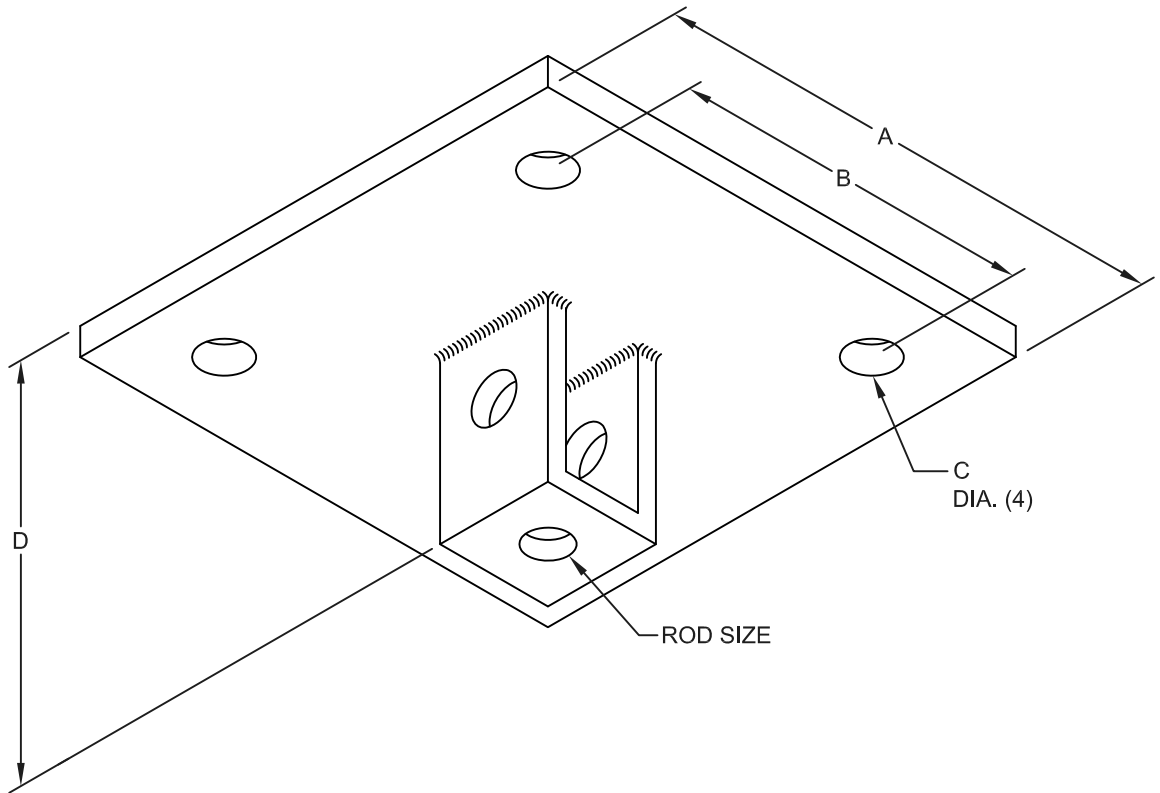
TRIPAC FIG. TP-35 CONCRETE ROD ATTACHMENT PLATE

SIZE RANGE-3/8" THRU 2" ROD

SERVICE-DESIGNED FOR STRUCTURAL ATTACHMENT TO CEILING WITH VERTICAL ATTACHMENT IF DESIRED.

MATERIAL-CARBON STEEL, T-304 AND T-316

FINISHES-PLAIN, ELECTRO-GALVANIZED, HDG



DIMENSIONS & WEIGHTS

ROD SIZE	A	B	C	D	MAX. REC. LOAD Lbs.*	APPROX. WT./100
3/8"	10"	8"	9/16"	3-1/4"	610	1155
1/2"	10"	8"	9/16"	3-1/4"	1130	1160
5/8"	10"	8"	9/16"	3-1/2"	1810	1505
3/4"	10"	8"	11/16"	3-5/8"	2710	1605
7/8"	10"	8"	11/16"	4-3/4"	3770	1665
1"	12"	8"	13/16"	5-1/4"	4960	3485
1-1/4"	12"	8"	15/16"	5-3/4"	8000	3865
1-1/2"	12"	8"	1-1/8"	7-1/2"	11630	5635
1-3/4"	14"	10"	1-3/8"	9"	15700	8805
2"	14"	10"	1-3/8"	9-1/2"	20700	9215

* BASED ON ALLOWABLE STRESSES SHOWN IN THE ANSI CODE FOR PRESSURE PIPING.

TRIPAC

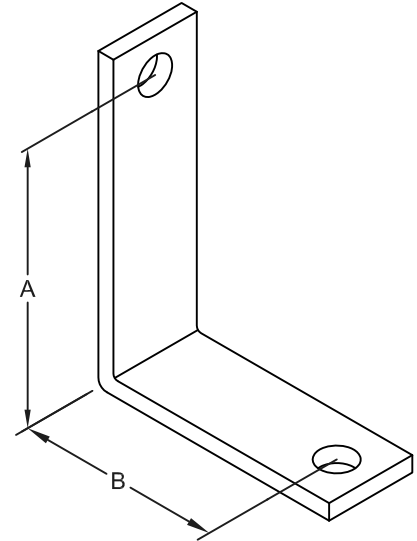
475 KLUG CIRCLE • CORONA, CA 92880-6406
(951) 280-4488 • FAX: (951) 272-4445

TRIPAC FIG. TP-42 ANGLE BRACKET

SERVICE-DESIGNED FOR SUPPORTING PIPE AT VARIOUS DISTANCES FROM WALL OR COLUMN.

MATERIAL-CARBON STEEL, T-304 AND T-316

FINISHES-PLAIN, ELECTRO-GALVANIZED, HDG.



DIMENSIONS & WEIGHTS

SIZE	A	B	HOLE SIZE	MAX. REC. LOAD Lbs.	APPROX. WT./100
1	3"	2"	7/16"	180	46
2	4"	3"	7/16"	180	65
3	3"	2"	9/16"	390	85
4	4"	3"	9/16"	390	115

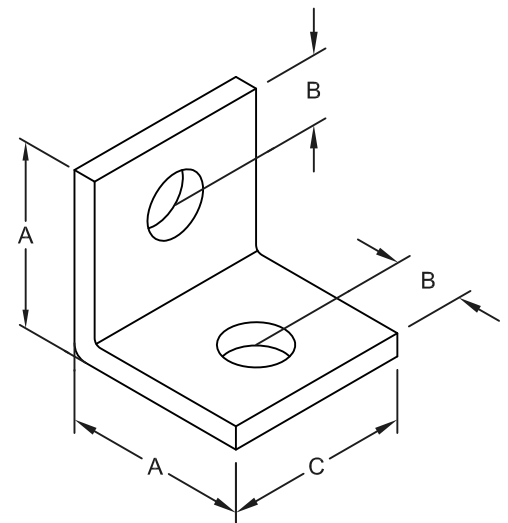
TRIPAC FIG. TP-50 SIDE BEAM BRACKET

SIZE RANGE- 3/8" THRU 7/8" ROD

SERVICE-DESIGNED FOR ATTACHING HANGER ROD TO SIDE OF BEAMS OR WALLS.

MATERIAL-CARBON STEEL, T-304 AND T-316

FINISHES-PLAIN, ELECTRO-GALVANIZED, HDG.



DIMENSIONS & WEIGHTS

ROD SIZE	A	B	C	HOLE SIZE	MAX. REC. LOAD Lbs.	APPROX. WT./100
3/8"	2"	3/4"	2"	7/16"	700	35
1/2"	2"	3/4"	2"	9/16"	700	35
5/8"	2"	3/4"	2"	11/16"	700	32
3/4"	2-1/2"	3/4"	2-1/2"	13/16"	1250	110
7/8"	2-1/2"	3/4"	2-1/2"	15/16"	1250	100

TRIPAC

475 KLUG CIRCLE • CORONA, CA 92880-6406
(951) 280-4488 • FAX: (951) 272-4445

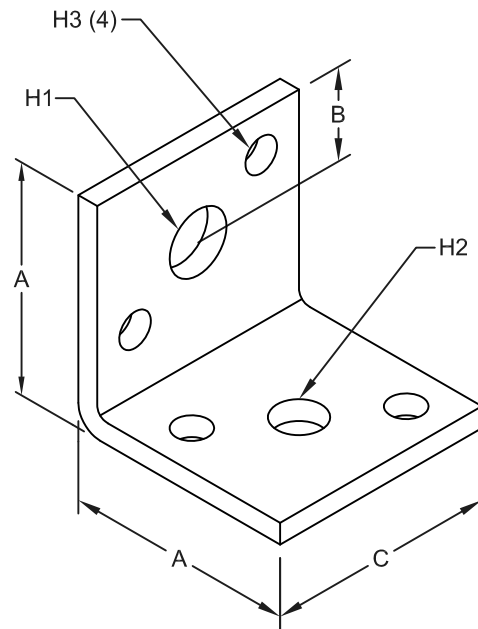
TRIPAC FIG. TP-52 SIX HOLE SIDE BEAM BRACKET

SIZE RANGE-3/8" AND 1/2" ROD, 1/2" THRU 3 1/2" PIPE

SERVICE-DESIGNED FOR ATTACHING HANGER ROD TO STEEL OR WOOD BEAMS.

MATERIAL-CARBON STEEL, T-304 AND T-316

FINISHES-PLAIN, ELECTRO-GALVANIZED, HDG.



DIMENSIONS & WEIGHTS

ROD SIZE	A	B	C	HOLE SIZE			MAX. REC. LOAD Lbs.	APPROX. WT./100
				H-1	H-2	H-3		
3/8" X 1/2"	2"	13/16"	2"	9/16"	7/16"	5/16"	700	35
1/2" X 1/2"	2"	3/4"	2"	9/16"	9/16"	5/16"	700	34

TRIPAC

475 KLUIG CIRCLE • CORONA, CA 92880-6406
(951) 280-4488 • FAX: (951) 272-4445

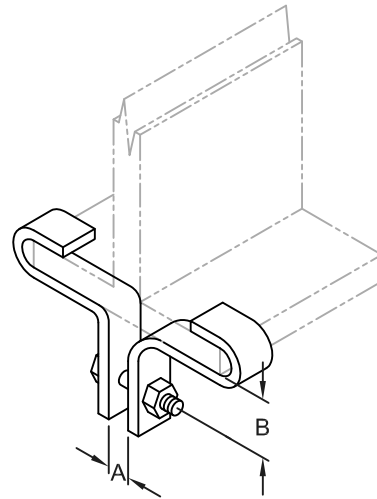
TRIPAC FIG. TP-62 CENTER LOAD BEAM CLAMP

SERVICE-DESIGNED FOR SUSPENDING OF HANGER ROD FROM THE CENTER OF "I" BEAM, EQUALLY DISTRIBUTING THE LOAD ON BOTH SIDES OF THE BEAM. .

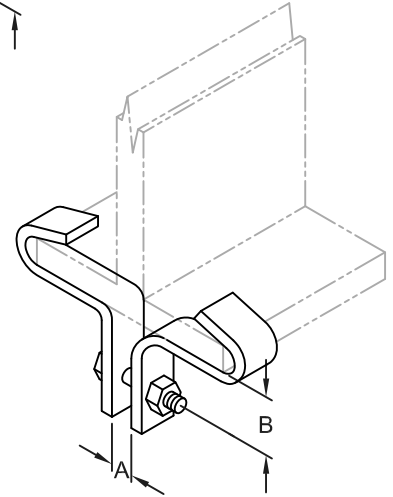
MATERIAL-CARBON STEEL, T-304 AND T-316

FINISHES-PLAIN, ELECTRO-GALVANIZED, HDG

COMPLIES WITH FEDERAL SPECIFICATION WW-H-171-E (TYPE #21) AND MANUFACTURERS STANDARDIZATION SOCIETY MSS SP-58 (TYPE #21)



TYPES 1 THRU 4



TYPES 5 THRU 6

DIMENSIONS

TYPE	A	B*	BOLT SIZE	MAX. REC. LOAD Lbs.
1	1/2"	1-3/8"	3/8"	1000
2	1/2"	1-3/8"	1/2"	1250
3	5/8"	1-9/16"	1/2"	1500
4	3/4"	2-1/4"	5/8"	3000
5	3/4"	2-1/4"	5/8"	3250
6	3/4"	2-5/16"	3/4"	3500

* NOT APPLICABLE FOR TYPE 1-2" AND TYPE 3-2" FLANGE WIDTHS.

DIMENSIONS & WEIGHTS

FLANGE WIDTH	MAX. FLANGE THICKNESS	APPROX. WT./100					
		TYPE 1	TYPE 2	TYPE 3	TYPE 4	TYPE 5	TYPE 6
2"	7/16"	66	85	-	-	-	-
3"	1/2" *	75	95	151	355*	-	-
4"	1/2"	91	114	163	382	470	634
5"	5/8"	100	125	187	435	536	667
6"	3/4"	115	143	216	452	558	728
7"	7/8"	129	160	242	484	606	767
8"	7/8"	144	177	267	510	659	861
9"	1"	159	196	295	583	721	913
10"	1"	172	210	319	625	773	982
11"	1"	185	227	343	667	826	1048
12"	1"	198	243	367	709	879	1115

* MAXIMUM FLANGE THICKNESS TYPE 1,2 AND 3 = 7/16"



TOLCO FIG. TP-64 STEEL "C" CLAMP WITH LOCKNUT

SIZE RANGE-3/8" THRU 7/8" ROD

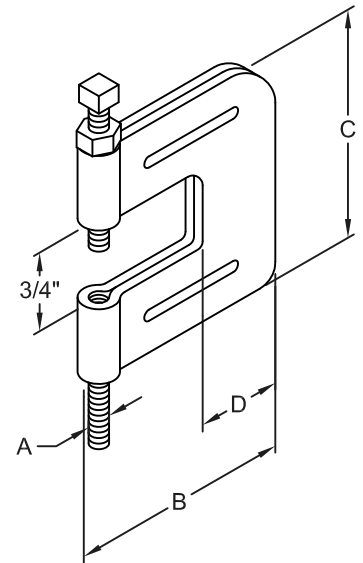
SERVICE-FOR ATTACHMENT TO I-BEAMS, CHANNELS, AND WIDE FLANGE BEAMS WHERE THE THICKNESS DOES NOT EXCEED 3/4". HARDENED SET SCREW SECURES "C" CLAMP TO BEAM.

MATERIAL-CARBON STEEL

FINISHES-PLAIN, ELECTRO-GALVANIZED

COMPLIES WITH FEDERAL SPECIFICATION WW-H-171E, (TYPE 23) AND MANUFACTURERS STANDARDIZATION SOCIETY SP-69, (TYPE 23).

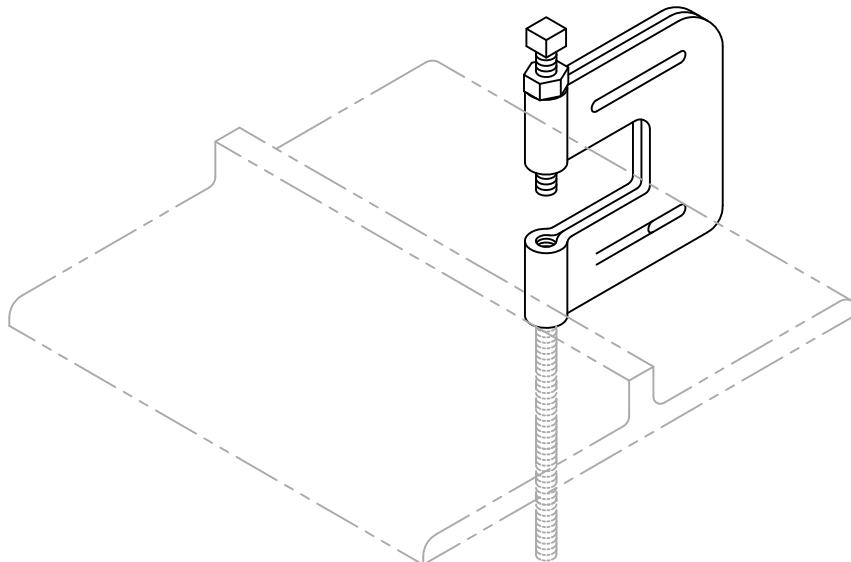
*MANUFACTURED BY TOLCO



DIMENSIONS & WEIGHTS

MAX. PIPE SIZE	ROD SIZE A	B	C	D	MAX. REC. LOAD Lbs.*	APPROX. WT./100
2"	3/8"	2-3/8"	2-3/8"	1"	400	40
3-1/2"	1/2"	2-3/8"	2-3/8"	1"	400	50
5"	5/8"	2-3/8"	2-3/8"	1"	550	70
6"	3/4"	2-5/16"	2-3/8"	1"	630	83
* 8"	7/8"	3-5/16"	3"	1-3/8"	1200	158

* THROAT OPENING IS 1".



TRIPAC

475 KLUIG CIRCLE • CORONA, CA 92880-6406
(951) 280-4488 • FAX: (951) 272-4445

TOLCO FIG. 65 AND FIG. 66 REVERSIBLE C-TYPE BEAM CLAMPS 3/4" AND 1-1/4" THROAT OPENING

SIZE RANGE-3/8", 1/2", AND 5/8" ROD

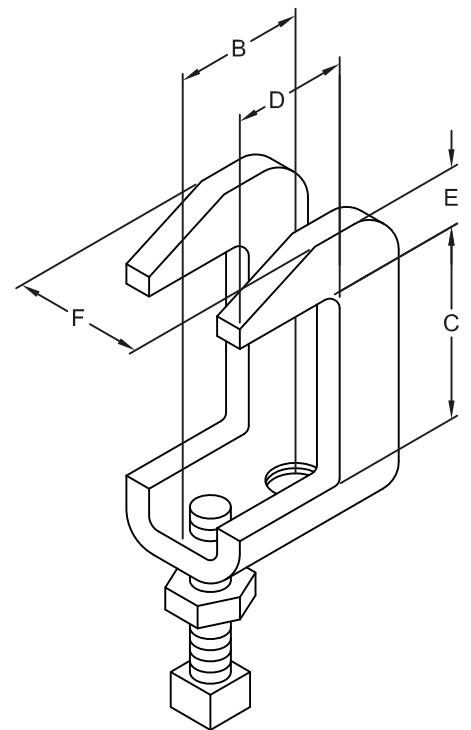
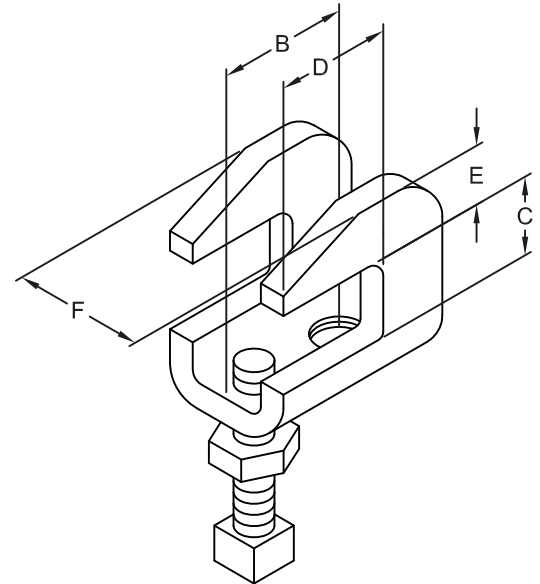
SERVICE-RECOMMENED FOR HANGING FROM STEEL BEAM WHERE FLANGE THICKNESS DOES NOT EXCEED 3/4" (TP-65) OR 1-1/4" (TP-66).

MATERIAL-CARBON STEEL WITH HARDENED CUP POINT SET SCREW AND JAM NUT.

FEATURES-ALL STEEL CONSTRUCTION ELIMINATES STRUCTURAL DEFICIENCIES ASSOCIATED WITH CASTING TYPE BEAM CLAMPS. MAY BE USED ON TOP OR BOTTOM FLANGE OF THE BEAM. (BEVELED LIP ALLOWS HANGING FROM TOP FLANGE WHERE CLEARANCE IS LIMITED.) MAY BE INSTALLED WITH THE SET SCREW IN UP OR DOWN POSITION. OFFSET DESIGN PERMITS UNLIMITED ROD ADJUSTMENT BY ALLOWING THE ROD TO BE THREADED COMPLETELY THROUGH THE CLAMP. OPEN DESIGN PERMITS INSPECTION OF THREAD ENGAGEMENT.

FINISHES-PLAIN, ELECTRO-GALVANIZED, HDG

*MANUFACTURED BY TOLCO



DIMENSIONS & WEIGHTS

ROD SIZE A	B	C	D	E	F	MAX. REC. LOAD Lbs.*	APPROX. WT./100
3/8"	1-3/16"	3/4"	1"	7/16"	1"	610	28
1/2"	1-1/2"	3/4"	1"	9/16"	1-1/4"	1130	55
5/8"	1-1/2"	3/4"	1"	9/16"	1-1/4"	1130	55

* MAX. LOADS FOR CLAMP WITH SET SCREW IN UP OR DOWN POSITION.

DIMENSIONS & WEIGHTS

ROD SIZE A	B	C	D	E	F	MAX. REC. LOAD Lbs.*	APPROX. WT./100
3/8"	1-3/16"	1-1/4"	1"	7/16"	1"	610	32
1/2"	1-1/2"	1-1/4"	1"	9/16"	1-1/4"	1130	61
5/8"	1-1/2"	1-1/4"	1"	9/16"	1-1/4"	1130	61

* MAX. LOADS FOR CLAMP WITH SET SCREW IN UP OR DOWN POSITION.

TRIPAC

475 KLUG CIRCLE • CORONA, CA 92880-6406
(951) 280-4488 • FAX: (951) 272-4445

33

A DIVISION OF TRIPAC MARKETING, INC.

WWW.TRIPACONLINE.COM

TRIPAC FIG. TP-68 WIDE THROAT TOP BEAM "C" CLAMP w/LOCKNUT

SIZE RANGE-3/8" THRU 3/4" ROD

SERVICE-DESIGNED FOR ATTACHMENT TO STRUCTURAL SHAPES REQUIRING WIDER THROAT ESPECIALLY UNDER ROOF WITH BAR JOIST CONSTRUCTION. THIS CLAMP MAY BE USED IN THE SET SCREW IN DOWN POSITION ONLY.

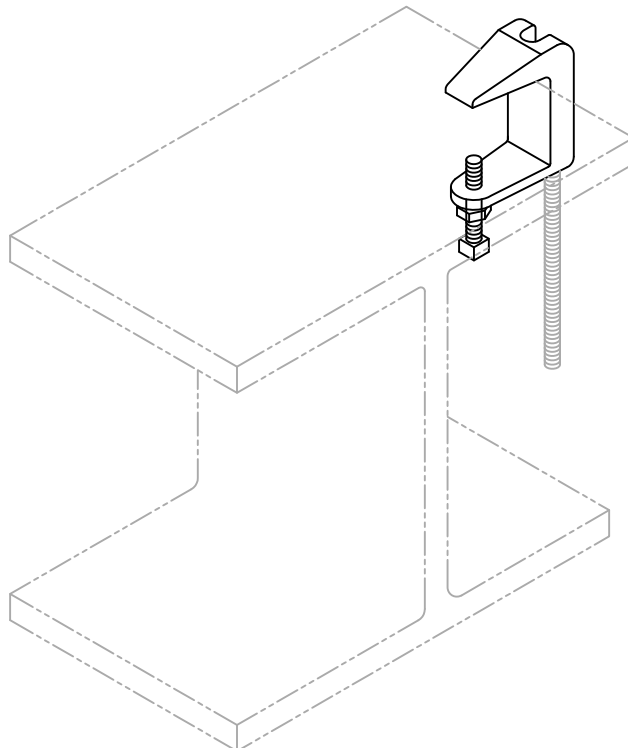
MATERIAL-MALLEABLE IRON

FINISHES-PLAIN, ELECTRO-GALVANIZED

COMPLIES WITH FEDERAL SPECIFICATION WW-H-171-E (TYPE #23) AND MANUFACTURERS STANDARDIZATION SOCIETY MSS SP-69 (TYPE #19)

DIMENSIONS & WEIGHTS

ROD SIZE	MAX. REC. LOAD Lbs.	APPROX. WT./100
3/8"	400	34
1/2"	500	50
5/8"	600	53
3/4"	800	86



TRIPAC

475 KLUG CIRCLE • CORONA, CA 92880-6406
(951) 280-4488 • FAX: (951) 272-4445

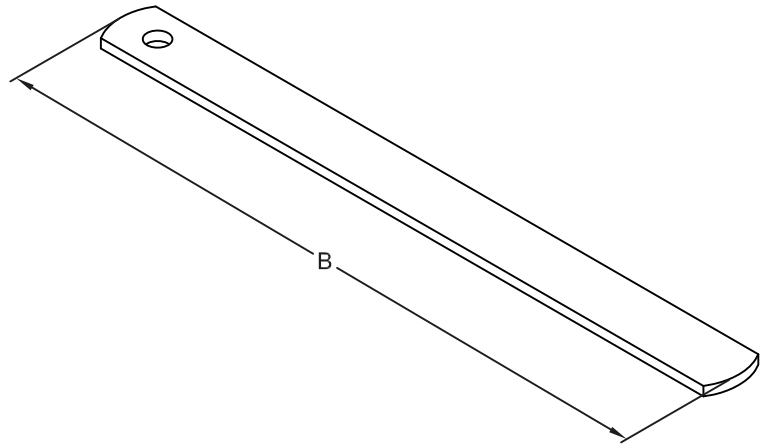
TRIPAC FIG. TP-69 BEAM CLAMP RETAINING STRAP

SIZE RANGE-3/8" THRU 7/8" ROD BY 4" THRU 16" LENGTH.*

SERVICE-DESIGNED TO OFFER MORE SECURE FASTENING OF VARIOUS TYPES OF BEAM CLAMPS TO BEAM WHERE DANGER OF MOVEMENT MIGHT BE EXPECTED. NFPA 13 REQUIRES THE USE OF RETAINING STRAPS WITH ALL BEAM CLAMPS INSTALLED IN EARTHQUAKE AREAS. SATISFIES REQUIREMENTS OF NFPA 13 (1999) 6-4.7.1.

MATERIAL-PRE-GALVANIZED STEEL

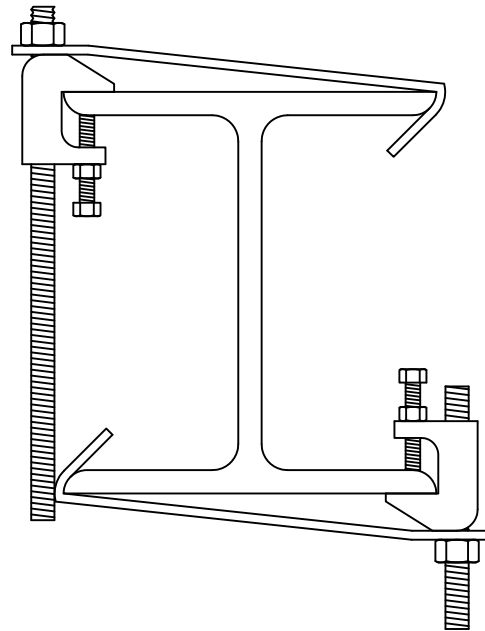
NOTE-MINIMUM RETURN ON STRAP: 1".



DIMENSIONS

TYPE	ROD SIZE	HOLE SIZE	STOCK SIZE	B
1	3/8"	7/16"	16GA X 1	SPECIFY
	1/2"	9/16"	16GA X 1	SPECIFY
2	5/8"	11/16"	14GA X 1-1/4"	SPECIFY
	3/4"	13/16"	14GA X 1-1/4"	SPECIFY
3	3/8"-7/8"	SPECIFY	12GA X 1-1/4"	SPECIFY

* LONGER LENGTHS ARE AVAILABLE, CONSULT FACOTRY



TRIPAC

475 KLUG CIRCLE • CORONA, CA 92880-6406
(951) 280-4488 • FAX: (951) 272-4445

TRIPAC FIG. TP-100, TP-150, TP-200 TRIPAC LIGHT DUTY PIPE SUPPORTS

SIZE RANGE-1" THRU 24" PIPE

SERVICE-DESIGNED FOR SUPPORTING PIPE FROM FLOOR WITH CENTERLINE FLEXIBILITY.

MATERIAL-CARBON STEEL, T-304 AND T-316

FINISHES-PLAIN, ELECTRO-GALVANIZED, HDG AND POWDER COAT GREY

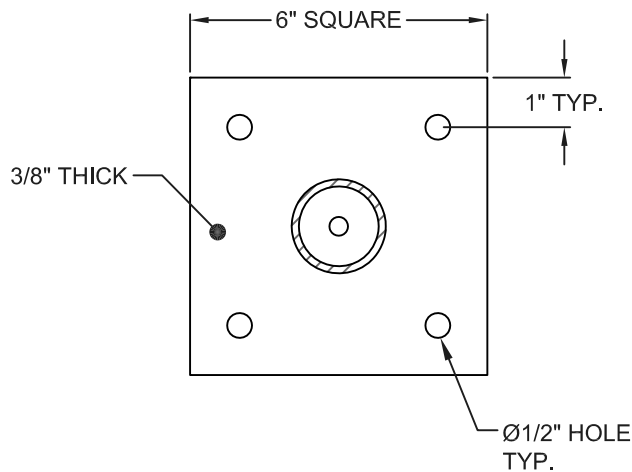
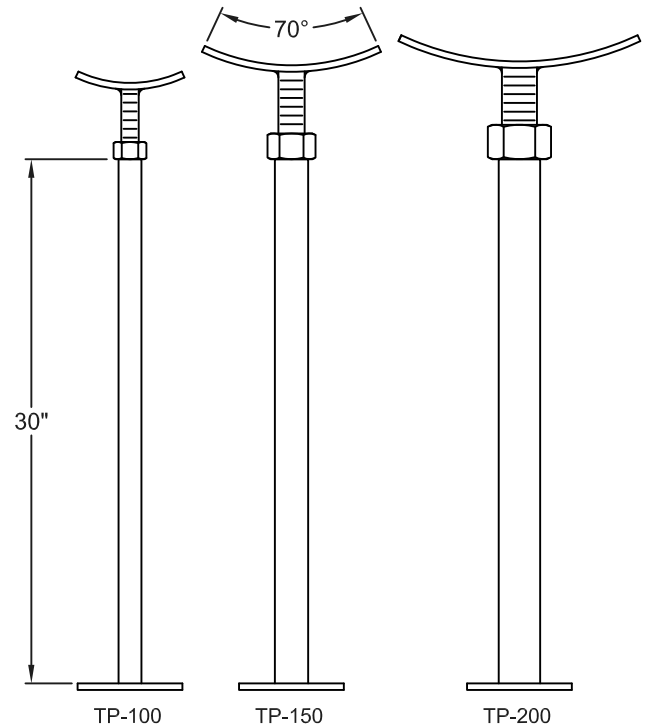
PIPE STANDS ARE STOCK 30" TALL AND ARE DESIGNED TO BE FIELD CUT TO DESIRED CENTERLINE HEIGHT.

ATR SADDLE PROVIDES 6" OF ADJUSTMENT

SADDLE BRACKET MATERIAL:

3/8" X 2" FOR THE TP-100 & TP-150

3/8" X 3" FOR THE TP-200



DIMENSIONS

FIGURE #	SUPPORTED PIPE	STAND PIPE	BASE PLATE	ATR
TP-100	1"-8"	1"	3/8" X 6" SQ.	1" X 9"
TP-150	10"-16"	1-1/2"	3/8" X 6" SQ.	1-1/2" X 9"
TP-200	18"-24"	2"	3/8" X 6" SQ.	2" X 9"

TRIPAC

475 KLUIG CIRCLE • CORONA, CA 92880-6406
(951) 280-4488 • FAX: (951) 272-4445

36

A DIVISION OF TRIPAC MARKETING, INC.

WWW.TRIPACONLINE.COM

TRIPAC FIG. TP-101 WELDED EYE ROD

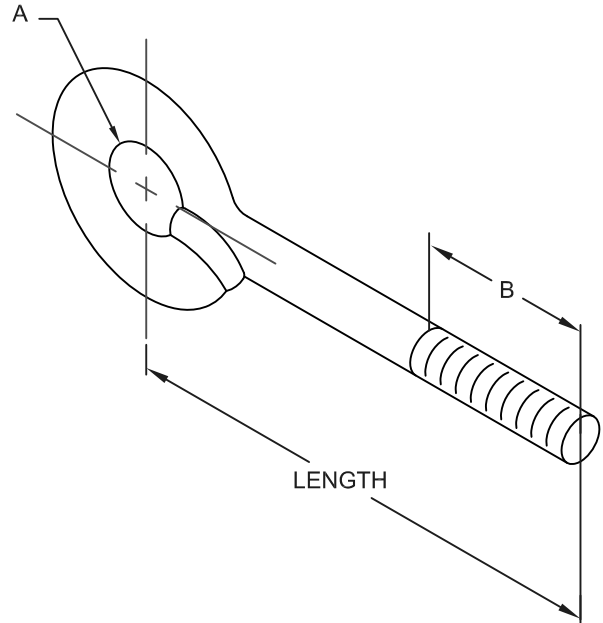
SIZE RANGE-3/8" THRU 2-1/2" ROD

SERVICE-DESIGNED FOR USE AS SUPPORT HANGER ROD THAT MAY BE ATTACHED DIRECTLY TO STRUCTURE OR TO OTHER PIPE SUPPORT PRODUCT. THE WELDED EYE ALLOWS FOR HEAVIER LOADS.

MATERIAL-CARBON STEEL, T-304 AND T-316

FINISHES-PLAIN, ELECTRO-GALVANIZED, HDG

NOTE-"A" DIMENSION SHOULD BE 1/16" LARGER THAN FASTENER. PLEASE NOTIFY FACTORY IF LARGER "A" DIMENSION IS NEEDED.



DIMENSIONS & WEIGHTS

ROD SIZE	A	B	MAX. REC. LOAD lbs. FOR SERVICE TEMPS.	
			650°F / 343°C	750°F / 399°C
3/8"	7/16"	2-1/2"	610	540
1/2"	9/16"	2-1/2"	1130	1010
5/8"	13/16"	2-1/2"	1810	1610
3/4"	1"	3"	2710	2420
7/8"	1-1/8"	3-1/2"	3770	3360
1"	1-1/4"	4"	4960	4420
1-1/4"	1-1/2"	5"	8000	7140
1-1/2"	2"	6"	11630	10370
1-3/4"	2-1/4"	7"	15700	14000
2"	2-1/2"	8"	20700	18460
2-1/4"	2-3/4"	9"	27200	24260
2-1/2"	3"	10"	33500	29800

TRIPAC

475 KLUG CIRCLE • CORONA, CA 92880-6406
(951) 280-4488 • FAX: (951) 272-4445

TRIPAC FIG. TP-102 WELD LESS EYE ROD

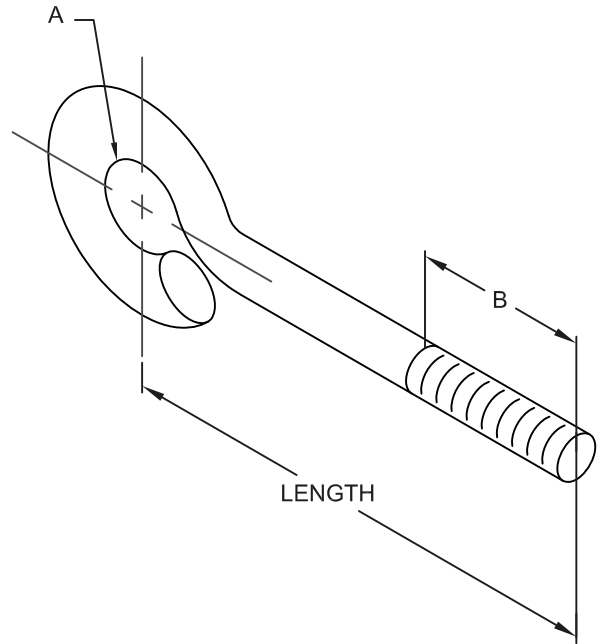
SIZE RANGE-3/8" THRU 2-1/2" ROD

SERVICE-DESIGNED FOR USE AS SUPPORT HANGER ROD THAT MAY BE ATTACHED DIRECTLY TO STRUCTURE OR TO OTHER PIPE SUPPORT PRODUCT.

MATERIAL-CARBON STEEL, T-304 AND T-316

FINISHES-PLAIN, ELECTRO-GALVANIZED, HDG

NOTE-"A" DIMENSION SHOULD BE 1/16" LARGER THAN FASTENER. PLEASE NOTIFY FACTORY IF LARGER "A" DIMENSION IS NEEDED.



DIMENSIONS & WEIGHTS

ROD SIZE	A	B	MAX. REC. LOAD lbs. FOR SERVICE TEMPS. 650°F / 343°C
3/8"	7/16"	2-1/2"	210
1/2"	9/16"	2-1/2"	395
5/8"	13/16"	2-1/2"	630
3/4"	1"	3"	945
7/8"	1-1/8"	3-1/2"	1315
1"	1-1/4"	4"	1735
1-1/4"	1-1/2"	5"	2800
1-1/2"	2"	6"	4070
1-3/4"	2-1/4"	7"	5490
2"	2-1/2"	8"	7240
2-1/4"	2-3/4"	9"	9520
2-1/2"	3"	10"	11725

TRIPAC

475 KLUIG CIRCLE • CORONA, CA 92880-6406
(951) 280-4488 • FAX: (951) 272-4445

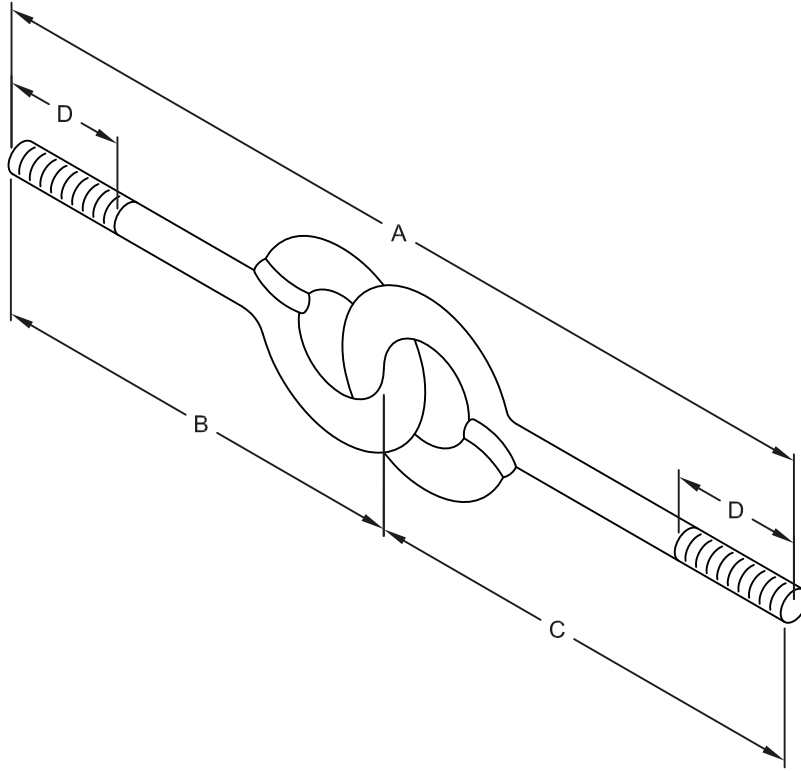
TRIPAC FIG. TP-101L LINKED WELDED EYE ROD

SIZE RANGE-3/8" THRU 1-1/2" ROD

SERVICE-DESIGNED FOR USE IN A HANGER ASSEMBLY WHERE UNIVERSAL MOVEMENT IS NECESSARY. WELDED EYE RODS ALLOW FOR HEAVIER LOADS.

MATERIAL-CARBON STEEL, T-304 AND T-316

FINISHES-PLAIN, ELECTRO-GALVANIZED, HDG



DIMENSIONS & WEIGHTS

ROD SIZE	D	MAX. REC. LOAD lbs. FOR SERVICE TEMPS. 650°F / 343°C
3/8"	2-1/2"	610
1/2"	2-1/2"	1130
5/8"	2-1/2"	1810
3/4"	3"	2710
7/8"	3-1/2"	3770
1"	4"	4960
1-1/4"	5"	8000
1-1/2"	6"	11630

TRIPAC

475 KLUG CIRCLE • CORONA, CA 92880-6406
(951) 280-4488 • FAX: (951) 272-4445

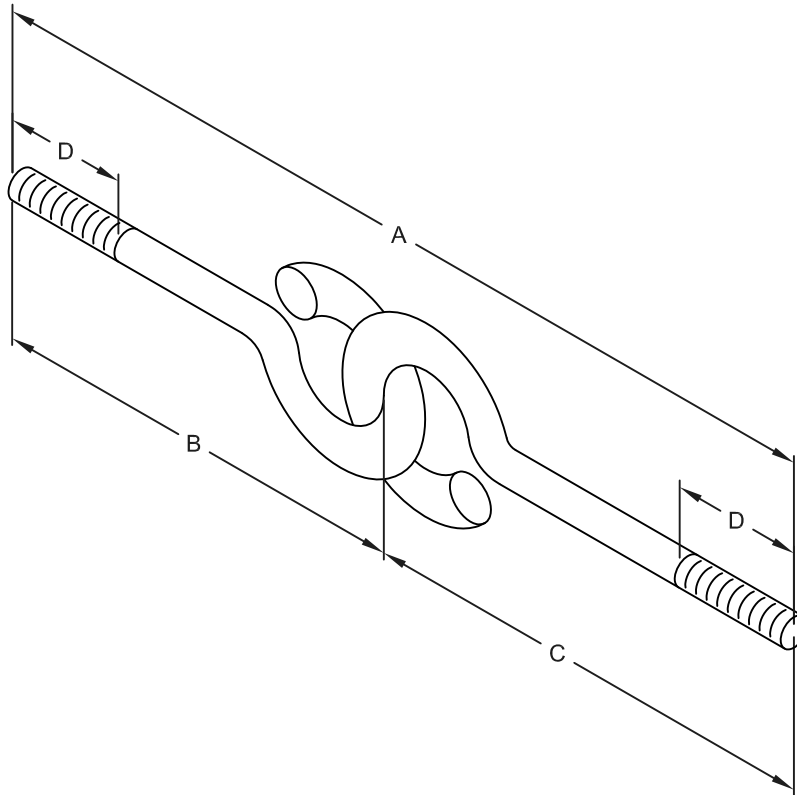
TRIPAC FIG. TP-102L LINKED WELD LESS EYE ROD

SIZE RANGE-3/8" THRU 1-1/2" ROD

SERVICE-DESIGNED FOR USE IN A HANGER ASSEMBLY WHERE UNIVERSAL MOVEMENT IS NECESSARY.

MATERIAL-CARBON STEEL, T-304 AND T-316

FINISHES-PLAIN, ELECTRO-GALVANIZED, HDG



DIMENSIONS & WEIGHTS

ROD SIZE	D	MAX. REC. LOAD lbs. FOR SERVICE TEMPS. 650°F / 343°C
3/8"	2-1/2"	240
1/2"	2-1/2"	440
5/8"	2-1/2"	705
3/4"	3"	1050
7/8"	3-1/2"	1470
1"	4"	1940
1-1/4"	5"	3120
1-1/2"	6"	4650

TRIPAC

475 KLUK CIRCLE • CORONA, CA 92880-6406
(951) 280-4488 • FAX: (951) 272-4445

40

A DIVISION OF TRIPAC MARKETING, INC.

WWW.TRIPACONLINE.COM

TRIPAC FIG. TP-107 ANCHOR BOLT

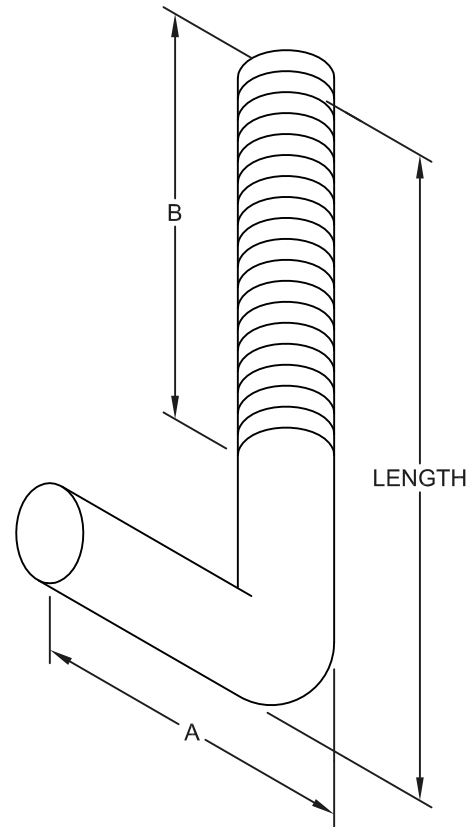
SIZE RANGE-3/8" THRU 1 1/2" ROD

SERVICE-DESIGNED TO BE EMBEDDED IN CONCRETE FOR FASTENING OF PIPE SUPPORT, STRUCTURAL STEEL OR OTHER APPARATUS TO SURFACE.

MAXIMUM TEMPERATURE-750°F / 399°C

MATERIAL-CARBON STEEL, T-304 AND T-316

FINISHES-PLAIN, ELECTRO-GALVANIZED, HDG



DIMENSIONS

ROD SIZE	A	B
3/8"	2"	2-1/2"
1/2"	2"	2-1/2"
5/8"	2-1/2"	2-1/2"
3/4"	2-3/4"	2-1/2"
7/8"	3"	2-1/2"
1"	3-1/2"	3"
1-1/8"	4"	3-1/2"
1-1/4"	4-1/2"	4"
1-1/2"	5-1/4"	4"

TRIPAC

475 KLUG CIRCLE • CORONA, CA 92880-6406
(951) 280-4488 • FAX: (951) 272-4445

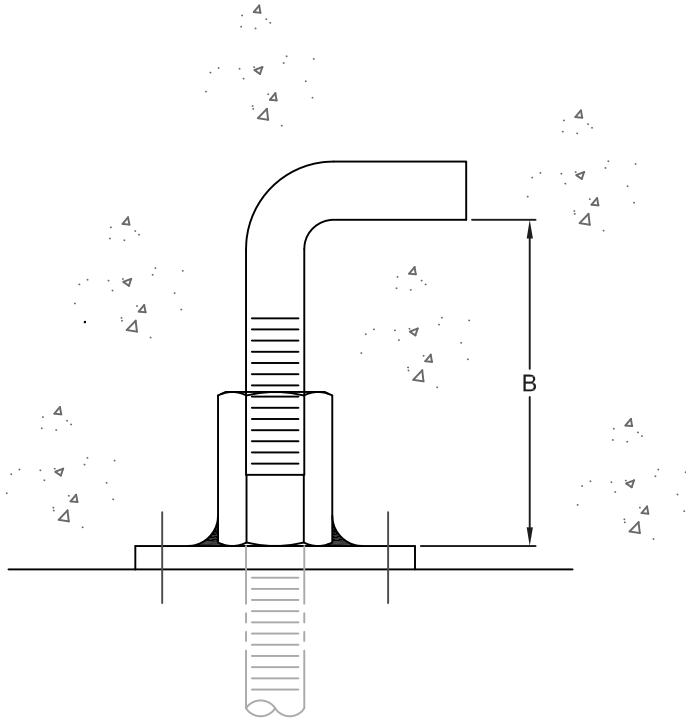
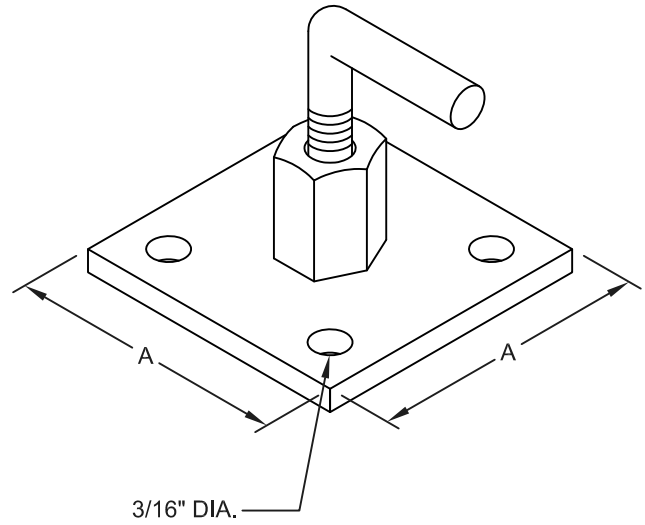
TRIPAC FIG. TP-107F CONCRETE INSERT

SIZE RANGE-5/8" THRU 1-1/2" ROD

SERVICE-DESIGNED TO BE EMBEDDED IN CONCRETE TO PROVIDE A POINT OF SUPPORT FOR 5/8" THRU 1-1/2" ROD OR BOLT SIZES.

MATERIAL-CARBON STEEL, T-304 AND T-316

FINISHES-PLAIN, ELECTRO-GALVANIZED, HDG



DIMENSIONS & WEIGHTS

ROD SIZE	A	B MIN. EMBED.	MAX. REC. LOAD LBS. (IN 3000 LB. HARD ROCK CONCRETE)
5/8"	3"	3-1/2"	1810
3/4"	3"	3-1/2"	2710
7/8"	3"	4"	3770
1"	3"	4"	4960

CONSULT FACTORY FOR SPECIFICATIONS ON ROD SIZES 1-1/8", 1-1/4" AND 1-1/2"



TRIPAC FIG. TP-110 STANDARD U-BOLT WITH 4 HEX NUTS

SIZE RANGE-1/2" THRU 36" PIPE

SERVICE-DESIGNED FOR SUPPORT, ANCHOR OR GUIDE OF PIPE.

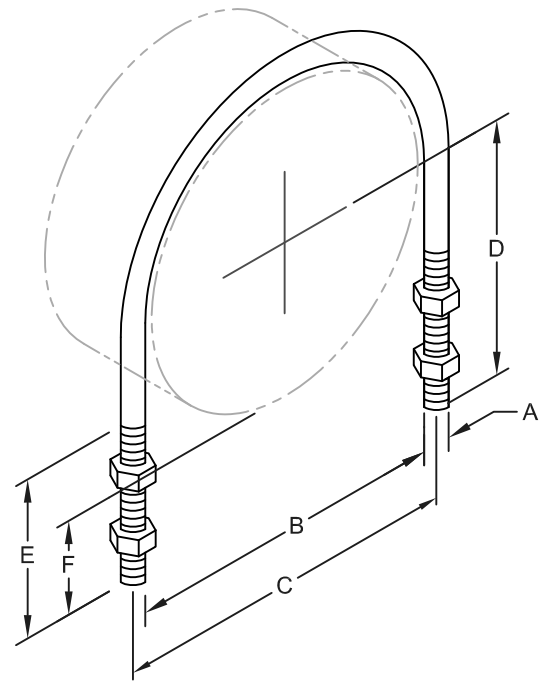
MATERIAL-CARBON STEEL, T-304, AND T-316

FINISHES-PLAIN, ELECTRO-GALVANIZED, HDG

MAXIMUM TEMPERATURE-750°

NOTE-WHEN FURNISHED IN HDG FINISH, OVERSIZE TAPPED HEX NUTS MUST BE USED.

COMPLIES WITH FEDERAL SPECIFICATION WW-H-171E, (TYPE 24), AND MANUFACTURERS STANDARDIZATION SOCIETY SP-69, (TYPE 24).



DIMENSIONS & WEIGHTS

ROD SIZE A	PIPE SIZE	B	C	D	E	F	MAX. REC. LOAD LBS. FOR SERVICE TEMPS.		APPROX. WT./100
							650°F / 343°C	750°F / 399°C	
1/4"	1/2"	15-16"	1-3/16"	2-3/4"	2-1/8"	2-5/16"	485	435	11
1/4"	3/4"	1-1/8"	1-3/8"	2-3/4"	2-1/8"	2-7/32"	485	435	12
1/4"	1"	1-3/8"	1-5/8"	2-3/4"	2-1/8"	2-3/32"	485	738	12
3/8"	1-1/4"	1-11/16"	2-1/16"	2-7/8"	2-1/8"	2-1/32"	1220	1090	28
3/8"	1-1/2"	2"	2-3/8"	3"	2-1/2"	2-1/16"	1200	1090	30
3/8"	2"	2-7/16"	2-13/16"	3-1/4"	2-1/2"	2-1/16"	1220	1090	33
1/2"	2-1/2"	2-15/16"	3-7/16"	3-3/4"	3"	2-5/16"	2260	2020	85
1/2"	3"	3-9/16"	4-1/16"	4"	3"	2-1/4"	2260	2020	93
1/2"	3-1/2"	4-1/16"	4-9/16"	4-1/4"	3"	2-1/4"	2260	2020	101
1/2"	4"	4-9/16"	5-1/16"	4-1/2"	3"	2-1/4"	2260	2020	110
1/2"	5"	5-5/8"	6-1/8"	5"	3"	2-7/32"	2260	2020	124
5/8"	6"	6-3/4"	7-3/8"	6-1/8"	3-3/4"	2-13/16"	3620	3230	200
5/8"	8"	8-3/4"	9-3/8"	7-1/8"	3-3/4"	2-13/16"	3620	3230	230
3/4"	10"	10-7/8"	11-5/8"	8-3/8"	4"	3"	5420	4830	486
7/8"	12"	12-7/8"	13-3/4"	9-5/8"	4-1/4"	3-1/4"	7540	6730	790
7/8"	14"	14-1/8"	15"	10-1/4"	4-1/4"	3-1/4"	7540	6730	850
7/8"	16"	16-1/8"	17"	11-1/4"	4-1/4"	3-1/4"	7540	6730	935
1"	18"	18-1/8"	19-1/8"	12-5/8"	4-3/4"	3-5/8"	9920	8850	1360
1"	20"	20-1/8"	21-1/8"	13-5/8"	4-3/4"	3-5/8"	9920	8850	1476
1"	24"	24-1/8"	25-1/8"	15-5/8"	4-3/4"	3-5/8"	9920	8850	1698
1"	30"	30-1/8"	31-1/8"	18-5/8"	4-3/4"	3-5/8"	9920	8850	2027
1"	36"	36-1/8"	37-1/8"	21-5/8"	4-3/4"	3-5/8"	9920	8850	---

TRIPAC

475 KLUK CIRCLE • CORONA, CA 92880-6406
(951) 280-4488 • FAX: (951) 272-4445

43

A DIVISION OF TRIPAC MARKETING, INC.

WWW.TRIPACONLINE.COM

TRIPAC FIG. TP-110CI A.W.W.A. U-BOLT WITH 4 HEX NUTS

SIZE RANGE-4" THRU 36" PIPE

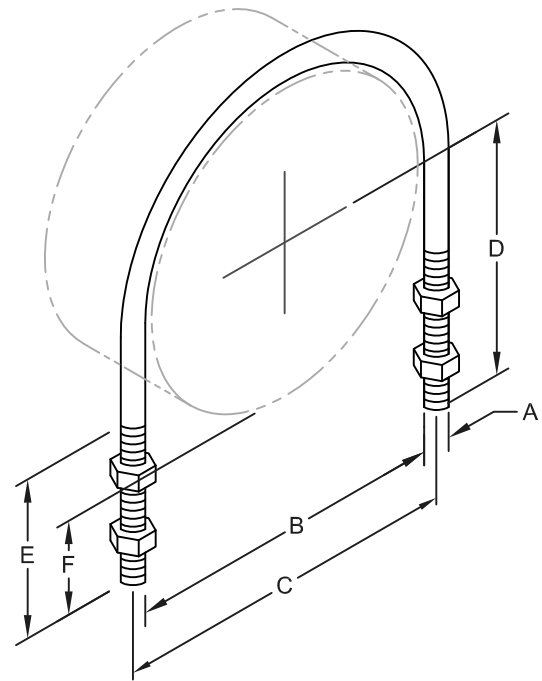
SERVICE-DESIGNED FOR SUPPORT, ANCHOR OR GUIDE OF PIPE.

MATERIAL-CARBON STEEL, T-304, AND T-316

FINISHES-PLAIN, ELECTRO-GALVANIZED, HDG

MAXIMUM TEMPERATURE-750°

NOTE-WHEN FURNISHED IN HDG FINISH, OVERSIZE TAPPED HEX NUTS MUST BE USED.



DIMENSIONS & WEIGHTS

ROD SIZE A	PIPE SIZE	B	C	D	E	F
1/2"	4"	4-15/16"	5-7/16"	4-5/8"	3"	2-1/4"
5/8"	6"	7"	7-5/8"	6-1/4"	3-3/4"	2-13/16"
5/8"	8"	9-3/16"	9-13/16"	7-5/16"	3-3/4"	2-13/16"
3/4"	10"	11-1/4"	12"	8-5/8"	4"	3"
7/8"	12"	13-5/16"	14-3/16"	9-7/8"	4-1/4"	3-1/4"
7/8"	14"	15-7/16"	16-5/16"	10-15/16"	4-1/4"	3-1/4"
7/8"	16"	17-1/2"	18-3/8"	11-15/16"	4-1/4"	3-1/4"
1"	18"	19-5/8"	20-5/8"	13-3/8"	4-3/4"	3-5/8"
1"	20"	21-3/4"	22-3/4"	14-7/16"	4-3/4"	3-5/8"
1"	24"	25-15/16"	26-15/16"	16-1/2"	4-3/4"	3-5/8"
1"	30"	32-1/8"	33-5/8"	19-5/8"	4-3/4"	3-5/8"
1"	36"	38-7/16"	39-7/16"	22-3/4"	4-3/4"	3-5/8"

TRIPAC

475 KLUIG CIRCLE • CORONA, CA 92880-6406
(951) 280-4488 • FAX: (951) 272-4445

TRIPAC FIG. TP-111 LIGHT WEIGHT U-BOLT WITH 2 HEX NUTS

SIZE RANGE-1/2" THRU 10" PIPE

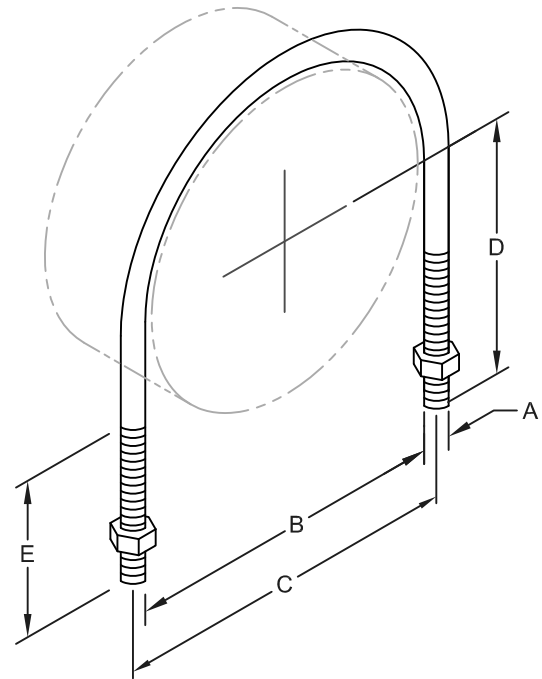
SERVICE-DESIGNED FOR SUPPORTING OR ANCHORING LIGHT PIPE LOADS.

MATERIAL-CARBON STEEL, T-304 AND T-316

FINISHES-PLAIN, ELECTRO-GALVANIZED, HDG

NOTE-WHEN FURNISHED IN HDG FINISH, OVERSIZE TAPPED HEX NUTS MUST BE USED.

MAXIMUM TEMPERATURE- 650°F / 343°



DIMENSIONS & WEIGHTS

ROD SIZE A	PIPE SIZE	B	C	D	E	MAX. REC. LOAD LBS.	WEIGHT EACH (LBS.)
1/4"	1/2"	15/16"	1-3/16"	1-15/16"	1-3/4"	485	8
1/4"	3/4"	1-1/8"	1-3/8"	2-1/16"	1-3/4"	485	8
1/4"	1"	1-3/8"	1-5/8"	2-3/16"	1-3/4"	485	9
1/4"	1-1/4"	1-11/16"	1-15/16"	2-3/8"	1-3/4"	485	9
1/4"	1-1/2"	2"	2-1/4"	2-7/16"	1-3/4"	485	10
1/4"	2"	2-7/16"	2-11/16"	2-11/16"	1-3/4"	485	11
3/8"	2-1/2"	2-15/16"	3-5/16"	3-1/16"	2"	1220	31
3/8"	3"	3-9/16"	3-15/16"	3-3/8"	2"	1220	33
3/8"	3-1/2"	4-1/16"	4-7/16"	3-5/8"	2"	1220	40
3/8"	4"	4-9/16"	4-15/16"	3-7/8"	2"	1220	40
3/8"	5"	5-5/8"	6"	4-9/16"	2-1/4"	1220	47
1/2"	6"	6-3/4"	7-1/4"	5-1/16"	2-1/4"	2260	125
1/2"	8"	8-3/4"	9-1/4"	6-1/16"	2-1/4"	2260	156
5/8"	10"	10-7/8"	11-1/2"	7-1/4"	2-1/2"	3620	318

TRIPAC

475 KLUK CIRCLE • CORONA, CA 92880-6406
(951) 280-4488 • FAX: (951) 272-4445

45

A DIVISION OF TRIPAC MARKETING, INC.

WWW.TRIPACONLINE.COM

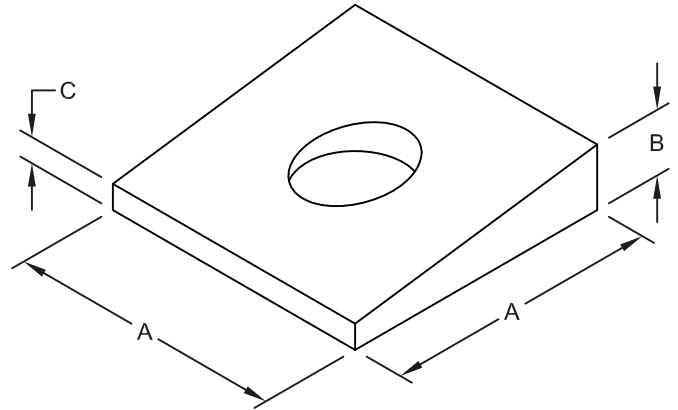
TRIPAC FIG. TP-116 BEVEL WASHER

SIZE RANGE-3/8" THRU 7/8" BOLT

SERVICE-DESIGNED TO MATCH TAPER OF FLANGE OF I-BEAM OR CHANNEL TO PERMIT RIGHT ANGLE FASTENING OF BOLT.

MATERIAL-MALLEABLE IRON, T-304 AND T-316

FINISHES-PLAIN, ELECTRO-GALVANIZED, HDG



DIMENSIONS & WEIGHTS

ROD SIZE	A	B	C	APPROX. WT./100
3/8"	1-1/4"	11/32"	5/32"	9
1/2"	1-1/4"	11/32"	5/32"	9
5/8"	1-1/2"	13/32"	5/32"	14
3/4"	1-1/2"	15/32"	7/32"	16
7/8"	2"	9/16"	7/32"	33

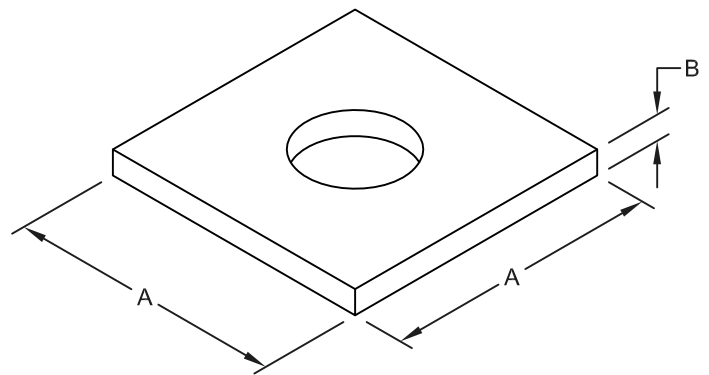
TRIPAC FIG. TP-118 SQUARE WASHER

SIZE RANGE-3/8" THRU 1" BOLT

SERVICE-HEAVY DUTY WASHER FOR USE ON TOP OF CHANNELS OR ANGLES TO SUPPORT HANGER ROD.

MATERIAL-CARBON STEEL, T-304 AND T-316

FINISHES-PLAIN, ELECTRO-GALVANIZED, HDG



DIMENSIONS & WEIGHTS

ROD SIZE	HOLE SIZE	A	B	APPROX. WT./100
3/8"	7/16"	2"	1/4"	27
1/2"	9/16"	2"	1/4"	27
5/8"	11/16"	2-1/2"	1/4"	47
3/4"	13/16"	2-1/2"	3/8"	52
7/8"	15/16"	3"	3/8"	85
1"	1-1/8"	4"	3/8"	160

TRIPAC

475 KLUG CIRCLE • CORONA, CA 92880-6406
(951) 280-4488 • FAX: (951) 272-4445

TRIPAC FIG. TP-220 INSULATION PROTECTION SHIELD

SIZE RANGE-2 3/8" THRU 28" INSIDE DIAMETER

SERVICE-DESIGNED FOR OUTSIDE OF FOAM OR FIBER GLASS INSULATION TO PRECLUDE CRUSHING OF INSULATION WITHOUT BREAKING THE VAPOR BARRIER. ACTUAL FOAM OR FIBERGLASS INSULATION THICKNESS VARIES. VERIFY THAT THE I.D. OF THE SELECTED SHIELD IS SUITABLE FOR THE REQUIRED APPLICATION.

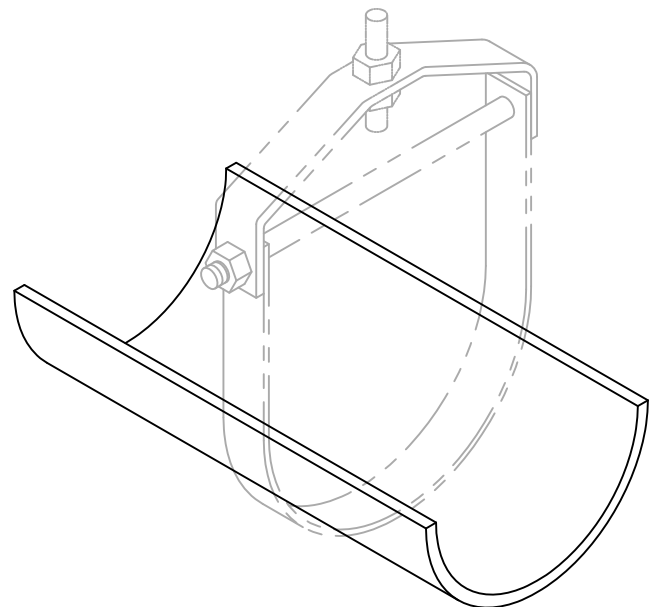
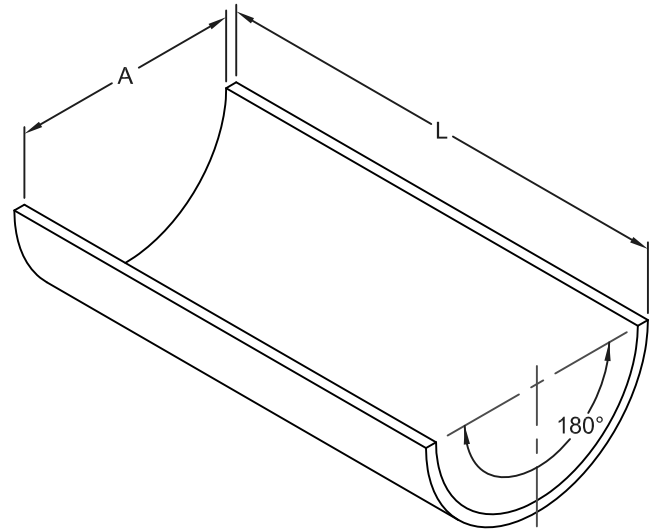
MATERIAL-CARBON STEEL, T-304 AND T-316

FINISHES-PRE-GALVANIZED

COMPLIES WITH FEDERAL SPECIFICATION WW-H-171-E (TYPE #41) AND MANUFACTURERS STANDARDIZATION SOCIETY MSS AND SP-69 (TYPE #40)

DIMENSIONS & WEIGHTS

SHIELD SIZE INSIDE DIA. (IN.) A	STOCK SIZE	SHIELD LENGTH L	APPROX WT./100
2.38"	18 GA	12"	69
2.88"	18 GA	12"	84
3.50"	18 GA	12"	99
4.00"	18 GA	12"	114
4.50"	18 GA	12"	129
5.00"	18 GA	12"	142
5.56"	18 GA	12"	160
6.64"	16 GA	12"	190
7.65"	16 GA	18"	268
8.64"	16 GA	18"	305
7.65"	16 GA	18"	403
8.64"	16 GA	18"	457
9.64"	16 GA	18"	510
10.76"	16 GA	18"	563
11.76"	14 GA	24"	1018
12.76"	14 GA	24"	1108
14.00"	14 GA	24"	1190
15.00"	14 GA	24"	1276
16.00"	14 GA	24"	1359
17.00"	14 GA	24"	1450
18.00"	12 GA	24"	2124
19.00"	12 GA	24"	2241
20.00"	12 GA	24"	2358
21.00"	12 GA	24"	2475
22.00"	12 GA	24"	2592
23.00"	12 GA	24"	2709
24.00"	12 GA	24"	2862
26.00"	12 GA	24"	3060
27.00"	12 GA	24"	3177
28.00"	12 GA	24"	3303



TRIPAC

475 KLUG CIRCLE • CORONA, CA 92880-6406
(951) 280-4488 • FAX: (951) 272-4445

TRIPAC FIG. TP-260-1 PIPE COVERING PROTECTION SADDLE 1" INSULATION

SIZE RANGE-3/4" THRU 8" PIPE

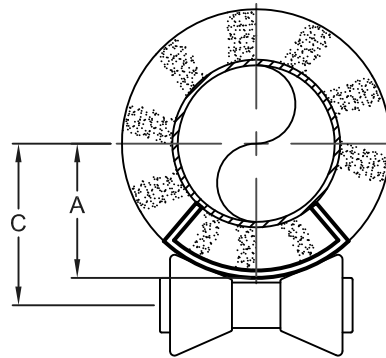
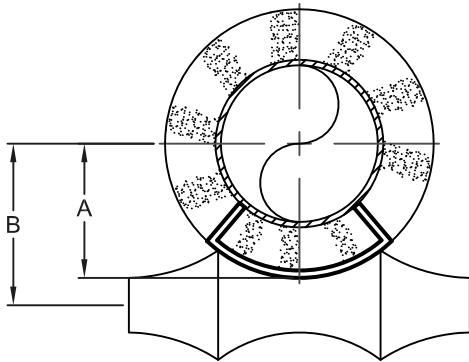
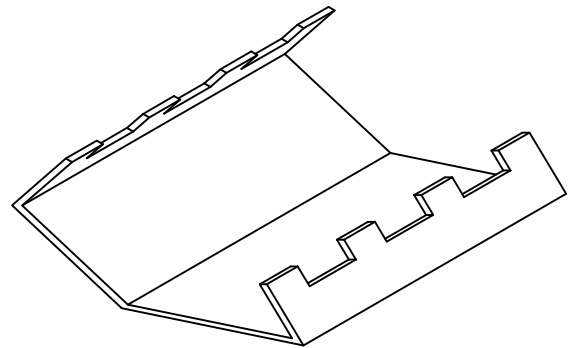
SERVICE-DESIGNED TO PROVIDE BEARING SURFACE, FOR SUPPORT, OUTSIDE OF THE INSULATION, THUS PREVENTING DAMAGE. NOTCHES ARE PROVIDED TO MINIMIZE SADDLE CONTACT WITH PIPE AND PREVENT HEAT LOSS.

MATERIAL-CARBON STEEL

FINISHES-PLAIN, ELECTRO-GALVANIZED, HDG

COMPLIES WITH FEDERAL SPECIFICATION WW-H-171-E (TYPE #40A AND 40B) AND MANUFACTURERS STANDARDIZATION SOCIETY MSS SP-69 (TYPE #39)

NOTE-ALL SADDLES ARE 12" LONG AND COVER 60° OF CIRCUMFERENCE OF THE PIPE.



DIMENSIONS & WEIGHTS

PIPE SIZE	A	B	C	ACTUAL INSULATION THICKNESS	USE WITH ROLLER			MAX. REC. LOAD LBS.*	APPROX. WT./100
					272	273	279/280		
3/4"	1-13/16"	2-5/16"	2-7/16"	15/16"	2-1/2"	2"	2" - 3 1/2"	1200	141
1"	1-15/16"	2-7/16"	2-5/8"	1-1/8"	3"	2-1/2"	2" - 3 1/2"	1200	141
1-1/4"	2-1/16"	2-9/16"	2-3/4"	1-5/16"	3"	2-1/2"	2" - 3 1/2"	1200	141
1-1/2"	2-3/16"	2-3/4"	2-15/16"	1-1/16"	4"	3"	2" - 3 1/2"	1200	167
2"	2-7/16"	3"	3-1/8"	1-1/16"	4"	3-1/2"	2" - 3 1/2"	1200	167
2-1/2"	2-11/16"	3-1/4"	3-7/16"	1-1/16"	5"	3-1/2"	2" - 3 1/2"	1200	178
3"	3"	3-3/4"	3-3/4"	1-1/16"	5"	4"	2" - 3 1/2"	1200	178
3-1/2"	3-1/2"	4-1/4"	4-1/4"	1-5/16"	6"	5"	4" - 6"	1800	247
4"	3-3/4"	4-1/2"	4-9/16"	1-1/16"	6"	5"	4" - 6"	1800	247
5"	4-5/16"	5"	5-1/8"	1-1/16"	8"	6"	4" - 6"	1800	247
6"	4-9/16"	5-5/16"	5-3/8"	1"	8"	8"	4" - 6"	1800	371
8"	5-5/8"	6-1/2"	6-1/2"	1-1/16"	10"	10"	8" - 10"	1800	442

* MAXIMUM RECOMMENDED LOADS ARE BASED ON A SAFETY FACTOR OF 5 AND ARE APPLICABLE ONLY WHEN SADDLE IS USED ON A FLAT BEARING SURFACE. WHEN SADDLE IS USED WITH A PIPE ROLLER, THE MAXIMUM LOAD GIVEN FOR THE PIPE ROLLER APPLIES TO THE SADDLE.

TRIPAC

475 KLUIG CIRCLE • CORONA, CA 92880-6406
(951) 280-4488 • FAX: (951) 272-4445

48

A DIVISION OF TRIPAC MARKETING, INC.

WWW.TRIPACONLINE.COM

TRIPAC FIG. TP-261-1-1/2 PIPE COVERING PROTECTION SADDLE 1-1/2" INSULATION

SIZE RANGE-3/4" THRU 36" PIPE

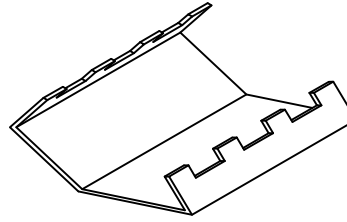
SERVICE-DESIGNED TO PROVIDE BEARING SURFACE, FOR SUPPORT, OUTSIDE OF THE INSULATION, THUS PREVENTING DAMAGE. NOTCHES ARE PROVIDED TO MINIMIZE SADDLE CONTACT WITH PIPE AND PREVENT HEAT LOSS.

MATERIAL-CARBON STEEL

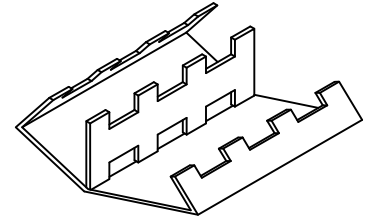
FINISHES-PLAIN, ELECTRO-GALVANIZED, HDG

COMPLIES WITH FEDERAL SPECIFICATION WW-H-171-E (TYPE #40A AND 40B) AND MANUFACTURERS STANDARDIZATION SOCIETY MSS SP-69 (TYPE #39)

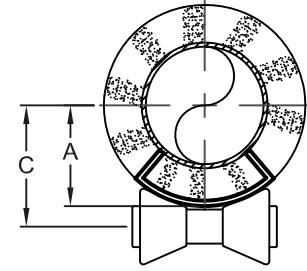
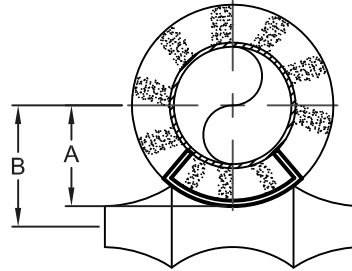
NOTE-ALL SADDLES ARE 12" LONG AND COVER 60° OF CIRCUMFERENCE OF THE PIPE. CENTER BAR IS FURNISHED WITH 12" PIPE SIZE AND LARGER.



SIZES 3/4" THRU 10"



SIZES 12" AND LARGER



DIMENSIONS & WEIGHTS

PIPE SIZE	A	B	C	ACTUAL INSULATION THICKNESS	USE WITH ROLLER			MAX. REC. LOAD LBS.*	APPROX. WT./100
					272	273	279/280		
3/4"	2-5/16"	2-7/8"	3"	1-9/16"	3-1/2"	3"	2" - 3 1/2"	1200	212
1"	2-7/16"	3"	3-1/8"	1-9/16"	4"	3"	2" - 3 1/2"	1200	212
1-1/4"	2-11/16"	3-1/4"	3-3/8"	1-5/8"	5"	3-1/2"	2" - 3 1/2"	1200	244
1-1/2"	2-3/4"	3-5/16"	3-7/16"	1-5/8"	5"	3-1/2"	2" - 3 1/2"	1200	244
2"	3"	3-11/16"	3-3/4"	1-5/8"	5"	4"	2" - 3 1/2"	1200	244
2-1/2"	3-7/16"	4-1/4"	4-3/16"	1-7/8"	6"	5"	2" - 3 1/2"	1200	284
3"	3-3/4"	4-1/2"	4-9/16"	1-9/16"	6"	5"	2" - 3 1/2"	1200	284
3-1/2"	3-15/16"	4-15/16"	4-3/4"	1-13/16"	8"	6"	4" - 6"	1800	321
4"	4-3/16"	5"	5"	1-9/16"	8"	6"	4" - 6"	1800	321
5"	4-3/4"	5-9/16"	5-9/16"	1-9/16"	10"	8"	4" - 6"	1800	321
6"	5-1/16"	5-7/8"	5-15/16"	1-1/2"	12"	8"	8" - 10"	1800	442
8"	6-3/16"	7-1/4"	7-1/8"	1-9/16"	14"	10"	8" - 10"	1800	590
10"	7-1/4"	8-1/2"	8-5/16"	1-5/8"	16"	12"	8" - 10"	1800	590
12"	8-3/16"	9-11/16"	9-5/16"	1-5/8"	18"	14"	12" - 14"	5000	779
14"	8-13/16"	10-5/16"	10-1/16"	1-1/2"	20"	16"	12" - 14"	5000	779
16"	9-3/4"	11-3/8"	11-1/16"	1-1/2"	24"	18"	16" - 20"	5000	853
18"	10-3/4"	12-9/16"	12-1/16"	1-1/2"	24"	20"	16" - 20"	5000	912
20"	11-3/4"	13-5/8"	12-1/8"	1-1/2"	-	24"	24"	7200	1044
24"	13-3/4"	16"	15-5/16"	1-1/2"	-	30"	30"	7200	1183
30"	16-3/4"	19-1/4"	18-1/2"	1-1/2"	-	-	36" - 42"	7200	1331
36"	20-3/16"	-	21-1/16"	1-1/2"	-	-	36" - 42"	7200	1695

* MAXIMUM RECOMMENDED LOADS ARE BASED ON A SAFETY FACTOR OF 5 AND ARE APPLICABLE ONLY WHEN SADDLE IS USED ON A FLAT BEARING SURFACE. WHEN SADDLE IS USED WITH A PIPE ROLLER, THE MAXIMUM LOAD GIVEN FOR THE PIPE ROLLER APPLIES TO THE SADDLE.

TRIPAC

475 KLUK CIRCLE • CORONA, CA 92880-6406
(951) 280-4488 • FAX: (951) 272-4445

TRIPAC FIG. TP-262-2 PIPE COVERING PROTECTION SADDLE 2" INSULATION

SIZE RANGE-3/4" THRU 36" PIPE

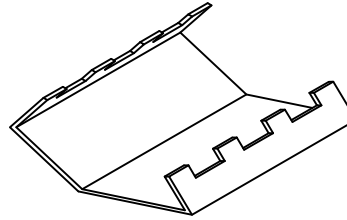
SERVICE-DESIGNED TO PROVIDE BEARING SURFACE, FOR SUPPORT, OUTSIDE OF THE INSULATION, THUS PREVENTING DAMAGE. NOTCHES ARE PROVIDED TO MINIMIZE SADDLE CONTACT WITH PIPE AND PREVENT HEAT LOSS.

MATERIAL-CARBON STEEL

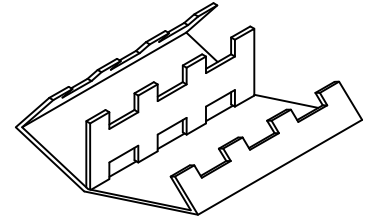
FINISHES-PLAIN, ELECTRO-GALVANIZED, HDG

COMPLIES WITH FEDERAL SPECIFICATION WW-H-171-E (TYPE #40A AND 40B) AND MANUFACTURERS STANDARDIZATION SOCIETY MSS SP-69 (TYPE #39)

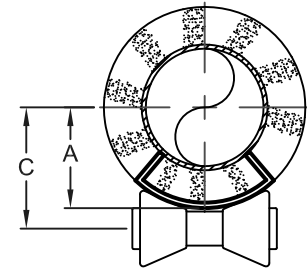
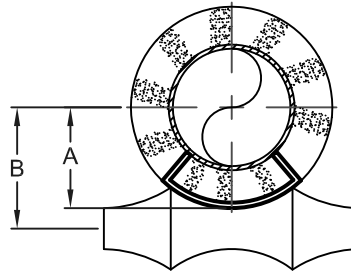
NOTE-ALL SADDLES ARE 12" LONG AND COVER 60° OF CIRCUMFERENCE OF THE PIPE. CENTER BAR IS FURNISHED WITH 12" PIPE SIZE AND LARGER.



SIZES 3/4" THRU 10"



SIZES 12" AND LARGER



DIMENSIONS & WEIGHTS

PIPE SIZE	A	B	C	ACTUAL INSULATION THICKNESS	USE WITH ROLLER			MAX. REC. LOAD LBS.*	APPROX. WT./100
					272	273	279/280		
3/4"	2-13/16"	3-1/2"	3-9/16"	2-1/16"	5"	4"	2" - 3 1/2"	1200	279
1"	2-15/16"	3-11/16"	3-11/16"	2-1/16"	5"	4"	2" - 3 1/2"	1200	279
1-1/4"	3-1/8"	3-7/8"	3-7/8"	2-1/16"	5"	4"	2" - 3 1/2"	1200	279
1-1/2"	3-7/16"	4-1/8"	4-3/16"	2-5/16"	5"	5"	4" - 6"	1800	319
2"	3-5/8"	4-5/16"	4-7/16"	2-5/16"	6"	5"	4" - 6"	1800	319
2-1/2"	3-15/16"	4-11/16"	4-3/4"	2-5/16"	6"	6"	4" - 6"	1800	340
3"	4-1/4"	5"	5-1/16"	2-1/16"	8"	6"	4" - 6"	1800	340
3-1/2"	4-7/16"	5-3/16"	5-1/4"	2-5/16"	8"	8"	4" - 6"	1800	359
4"	4-11/16"	5-1/2"	5-1/2"	2-1/16"	8"	8"	4" - 6"	1800	359
5"	5-3/16"	6"	6-1/8"	2-1/16"	10"	8"	8" - 10"	1800	359
6"	5-9/16"	6-1/2"	6-1/2"	2-1/16"	10"	10"	8" - 10"	1800	574
8"	6-9/16"	7-5/8"	7-9/16"	2-1/16"	12"	10"	8" - 10"	1800	637
10"	7-11/16"	9-1/8"	8-7/8"	2-1/8"	16"	14"	12" - 14"	1800	761
12"	8-13/16"	10-1/4"	10-3/16"	2-1/8"	18"	16"	16" - 20"	5000	970
14"	9-7/16"	10-15/16"	10-13/16"	2"	18"	16"	16" - 20"	5000	970
16"	10-5/16"	12"	11-3/4"	2"	20"	18"	16" - 20"	5000	1046
18"	11-5/16"	13"	12-3/4"	2"	24"	20"	16" - 20"	7200	1046
20"	12-5/16"	14-3/16"	13-3/4"	2"	24"	24"	24"	7200	1157
24"	14-5/16"	16-9/16"	15-7/8"	2"	-	30"	30"	7200	1333
30"	17-5/16"	20"	19-1/8"	2"	-	-	36" - 42"	7200	1492
36"	20-7/16"	-	22-3/8"	2"	-	-	36" - 42"	7200	1723

* MAXIMUM RECOMMENDED LOADS ARE BASED ON A SAFETY FACTOR OF 5 AND ARE APPLICABLE ONLY WHEN SADDLE IS USED ON A FLAT BEARING SURFACE. WHEN SADDLE IS USED WITH A PIPE ROLLER, THE MAXIMUM LOAD GIVEN FOR THE PIPE ROLLER APPLIES TO THE SADDLE.

TRIPAC

475 KLUG CIRCLE • CORONA, CA 92880-6406
(951) 280-4488 • FAX: (951) 272-4445

50

A DIVISION OF TRIPAC MARKETING, INC.

WWW.TRIPACONLINE.COM

TRIPAC FIG. TP-263-2-1/2 PIPE COVERING PROTECTION SADDLE 2-1/2" INSULATION

SIZE RANGE-1-1/4" THRU 36" PIPE

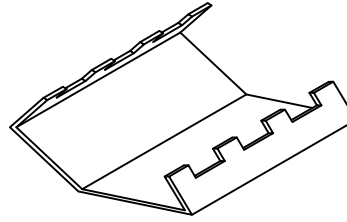
SERVICE-DESIGNED TO PROVIDE BEARING SURFACE, FOR SUPPORT, OUTSIDE OF THE INSULATION, THUS PREVENTING DAMAGE. NOTCHES ARE PROVIDED TO MINIMIZE SADDLE CONTACT WITH PIPE AND PREVENT HEAT LOSS.

MATERIAL-CARBON STEEL

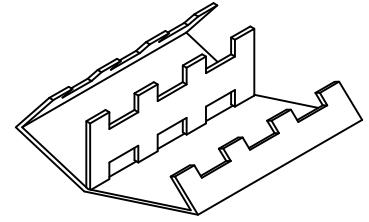
FINISHES-PLAIN, ELECTRO-GALVANIZED, HDG

COMPLIES WITH FEDERAL SPECIFICATION WW-H-171-E (TYPE #40A AND 40B) AND MANUFACTURERS STANDARDIZATION SOCIETY MSS SP-69 (TYPE #39)

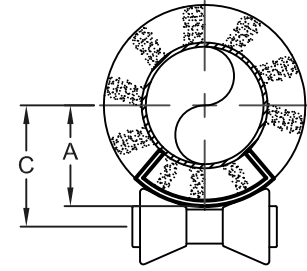
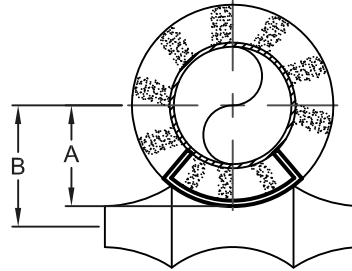
NOTE-ALL SADDLES ARE 12" LONG AND COVER 60° OF CIRCUMFERENCE OF THE PIPE. CENTER BAR IS FURNISHED WITH 12" PIPE SIZE AND LARGER.



SIZES 3/4" THRU 10"



SIZES 12" AND LARGER



DIMENSIONS & WEIGHTS

PIPE SIZE	A	B	C	ACTUAL INSULATION THICKNESS	USE WITH ROLLER			MAX. REC. LOAD LBS.*	APPROX. WT./100
					270	273	279/280		
1-1/4"	3-3/4"	4-1/2"	4-9/16"	2-13/16"	6"	5"	4" - 6"	1200	369
1-1/2"	3-7/8"	4-5/8"	4-3/4"	2-13/16"	8"	6"	4" - 6"	1800	369
2"	4-1/8"	4-15/16"	4-15/16"	2-13/16"	8"	6"	4" - 6"	1800	369
2-1/2"	4-7/16"	5-3/16"	5-1/4"	2-3/4"	8"	8"	4" - 6"	1800	406
3"	4-3/4"	5-9/16"	5-5/8"	2-3/4"	8"	8"	4" - 6"	1800	406
3-1/2"	4-15/16"	5-7/8"	5-13/16"	2-13/16"	10"	8"	8" - 10"	1800	446
4"	5-3/16"	6-1/8"	6-1/16"	2-13/16"	10"	8"	8" - 10"	1800	446
5"	5-3/4"	6-3/4"	6-3/8"	2-13/16"	10"	10"	8" - 10"	1800	446
6"	6-1/16"	7-1/8"	7"	2-9/16"	12"	10"	8" - 10"	1800	653
8"	7-1/4"	8-3/8"	8-3/8"	2-11/16"	14"	12"	12" - 14"	1800	721
10"	8-3/16"	9-11/16"	9-7/16"	2-5/8"	16"	14"	12" - 14"	1800	821
12"	9-1/4"	10-3/4"	10-5/8"	2-5/8"	18"	16"	16" - 20"	5000	1048
14"	9-7/8"	11-1/2"	11-1/4"	2-5/8"	20"	18"	16" - 20"	5000	1048
16"	10-3/4"	12-9/16"	12-13/16"	2-1/2"	24"	20"	16" - 20"	7200	1112
18"	11-3/4"	13-5/8"	13-1/8"	2-1/2"	24"	20"	24"	7200	1235
20"	12-3/4"	14-5/8"	14-1/8"	2-1/2"	-	24"	24"	7200	1235
24"	14-3/4"	17"	16-3/8"	2-1/2"	-	30"	30"	7200	1430
30"	17-3/4"	20-3/8"	19-11/16"	2-1/2"	-	-	36"-42"	7200	1314
36"	20-13/16"	-	22-7/8"	2-1/2"	-	-	36"-42"	7200	1857

* MAXIMUM RECOMMENDED LOADS ARE BASED ON A SAFETY FACTOR OF 5 AND ARE APPLICABLE ONLY WHEN SADDLE IS USED ON A FLAT BEARING SURFACE. WHEN SADDLE IS USED WITH A PIPE ROLLER, THE MAXIMUM LOAD GIVEN FOR THE PIPE ROLLER APPLIES TO THE SADDLE.



TRIPAC FIG. TP-264-3 PIPE COVERING PROTECTION SADDLE 3" INSULATION

SIZE RANGE-1-1/2" THRU 36" PIPE

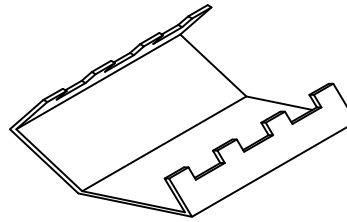
SERVICE-DESIGNED TO PROVIDE BEARING SURFACE, FOR SUPPORT, OUTSIDE OF THE INSULATION, THUS PREVENTING DAMAGE. NOTCHES ARE PROVIDED TO MINIMIZE SADDLE CONTACT WITH PIPE AND PREVENT HEAT LOSS.

MATERIAL-CARBON STEEL

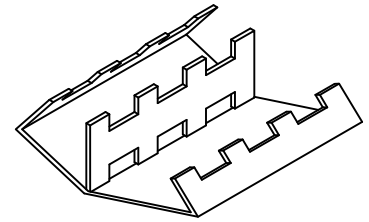
FINISHES-PLAIN, ELECTRO-GALVANIZED, HDG

COMPLIES WITH FEDERAL SPECIFICATION WW-H-171-E (TYPE #40A AND 40B) AND MANUFACTURERS STANDARDIZATION SOCIETY MSS SP-69 (TYPE #39)

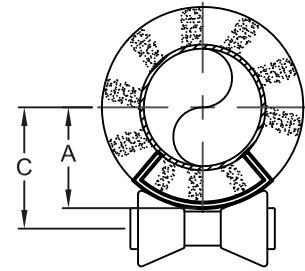
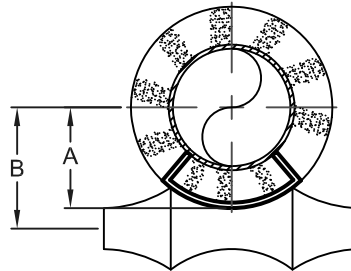
NOTE-ALL SADDLES ARE 12" LONG AND COVER 60° OF CIRCUMFERENCE OF THE PIPE. CENTER BAR IS FURNISHED WITH 12" PIPE SIZE AND LARGER.



SIZES 3/4" THRU 10"



SIZES 12" AND LARGER



DIMENSIONS & WEIGHTS

PIPE SIZE	A	B	C	ACTUAL INSULATION THICKNESS	USE WITH ROLLER			MAX. REC. LOAD LBS.*	APPROX. WT./100
					272	273	279/280		
1-1/2"	4-1/2"	5-5/16"	5-5/16"	3-5/16"	8"	8"	4" - 6"	1500	449
2"	4-3/4"	5-9/16"	5-9/16"	3-5/16"	8"	6"	4" - 6"	1800	449
2-1/2"	5"	5-13/16"	5-13/16"	2-3/4"	10"	8"	4" - 6"	1800	470
3"	5-1/16"	6-1/4"	6-1/4"	3-1/16"	10"	8"	8" - 10"	1800	470
3-1/2"	5-1/2"	6-3/8"	6-3/8"	3-3/8"	10"	10"	8" - 10"	1800	491
4"	5-3/4"	6-11/16"	6-11/16"	3-1/8"	10"	10"	8" - 10"	1800	491
5"	6-5/16"	7-1/4"	7-1/4"	3-1/8"	12"	10"	8" - 10"	1800	491
6"	6-5/8"	7-3/4"	7-9/16"	3-1/16"	12"	12"	12" - 14"	1800	773
8"	7-5/8"	8-7/8"	8-7/8"	3-1/8"	16"	14"	12" - 14"	1800	773
10"	8-11/16"	10-1/8"	10-1/16"	3-1/8"	18"	16"	16" - 20"	1800	884
12"	9-11/16"	11-5/16"	11-1/16"	3-1/8"	20"	18"	16" - 20"	5000	1141
14"	10-5/16"	12"	11-3/4"	3"	20"	18"	16" - 20"	5000	1140
16"	11-5/16"	13-13/16"	12-11/16"	3"	24"	24"	24"	7200	1317
18"	12-5/16"	14-3/16"	13-11/16"	3"	24"	24"	24"	7200	1317
20"	13-5/16"	15-5/16"	15-7/8"	3"	-	24"	30"	7200	1450
24"	15-5/16"	17-9/16"	16-15/16"	3"	-	30"	30"	7200	1564
30"	18-5/16"	-	20-5/16"	3"	-	-	36"-42"	7200	1765
36"	21-5/16"	-	23-5/16"	3"	-	-	36"-42"	7200	1954

* MAXIMUM RECOMMENDED LOADS ARE BASED ON A SAFETY FACTOR OF 5 AND ARE APPLICABLE ONLY WHEN SADDLE IS USED ON A FLAT BEARING SURFACE. WHEN SADDLE IS USED WITH A PIPE ROLLER, THE MAXIMUM LOAD GIVEN FOR THE PIPE ROLLER APPLIES TO THE SADDLE.



TRIPAC FIG. TP-265-4 PIPE COVERING PROTECTION SADDLE 4" INSULATION

SIZE RANGE-4" THRU 36" PIPE

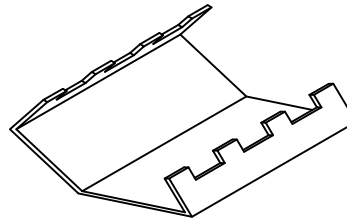
SERVICE-DESIGNED TO PROVIDE BEARING SURFACE, FOR SUPPORT, OUTSIDE OF THE INSULATION, THUS PREVENTING DAMAGE. NOTCHES ARE PROVIDED TO MINIMIZE SADDLE CONTACT WITH PIPE AND PREVENT HEAT LOSS.

MATERIAL-CARBON STEEL

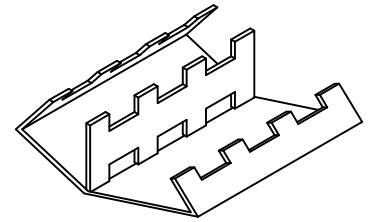
FINISHES-PLAIN, ELECTRO-GALVANIZED, HDG

COMPLIES WITH FEDERAL SPECIFICATION WW-H-171-E (TYPE #40A AND 40B) AND MANUFACTURERS STANDARDIZATION SOCIETY MSS SP-69 (TYPE #39)

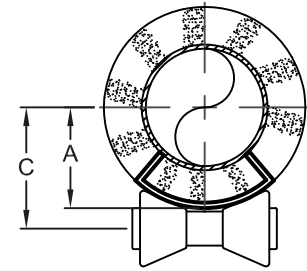
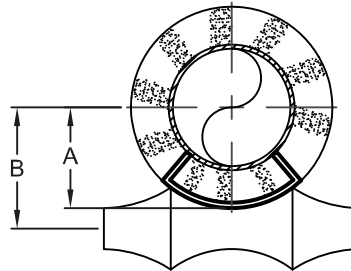
NOTE-ALL SADDLES ARE 12" LONG AND COVER 60° OF CIRCUMFERENCE OF THE PIPE. CENTER BAR IS FURNISHED WITH 12" PIPE SIZE AND LARGER.



SIZES 3/4" THRU 10"



SIZES 12" AND LARGER



DIMENSIONS & WEIGHTS

PIPE SIZE	A	B	C	ACTUAL INSULATION THICKNESS	USE WITH ROLLER			MAX. REC. LOAD LBS.*	APPROX. WT./100
					272	273	279/280		
4"	6-5/8"	7-3/4"	7-9/16"	4-3/16"	12"	10"	8" - 10"	1800	611
5"	7-3/16"	8-1/8"	8-3/16"	4-3/16"	14"	12"	8" - 10"	1800	611
6"	7-11/16"	9-1/8"	8-7/8"	4-3/16"	16"	14"	12" - 14"	1800	1020
8"	8-11/16"	10-1/8"	10"	4-3/16"	18"	16"	12" - 14"	1800	1020
10"	9-11/16"	10-5/16"	11-1/16"	4-1/8"	20"	18"	16" - 20"	1800	1084
12"	10-3/4"	12-9/16"	12-1/4"	4-1/8"	-	20"	16" - 20"	5000	1400
14"	11-3/8"	13-1/4"	12-7/8"	4"	-	20"	16" - 20"	5000	1400
16"	12-5/16"	14-13/16"	13-3/4"	4"	-	24"	24"	7200	1528
18"	13-5/16"	15-3/16"	14-3/4"	4"	-	24"	24"	7200	1528
20"	14-5/16"	16-9/16"	15-13/16"	4"	-	30"	30"	7200	1707
24"	16-5/16"	18-7/8"	17-13/16"	4"	-	30"	30"	7200	1835
30"	9-5/16"	-	21-5/16"	3"	-	-	36" - 42"	7200	2042
36"	22-5/16"	-	24-5/8"	4"	-	-	36" - 42"	7200	2237

* MAXIMUM RECOMMENDED LOADS ARE BASED ON A SAFETY FACTOR OF 5 AND ARE APPLICABLE ONLY WHEN SADDLE IS USED ON A FLAT BEARING SURFACE. WHEN SADDLE IS USED WITH A PIPE ROLLER, THE MAXIMUM LOAD GIVEN FOR THE PIPE ROLLER APPLIES TO THE SADDLE.

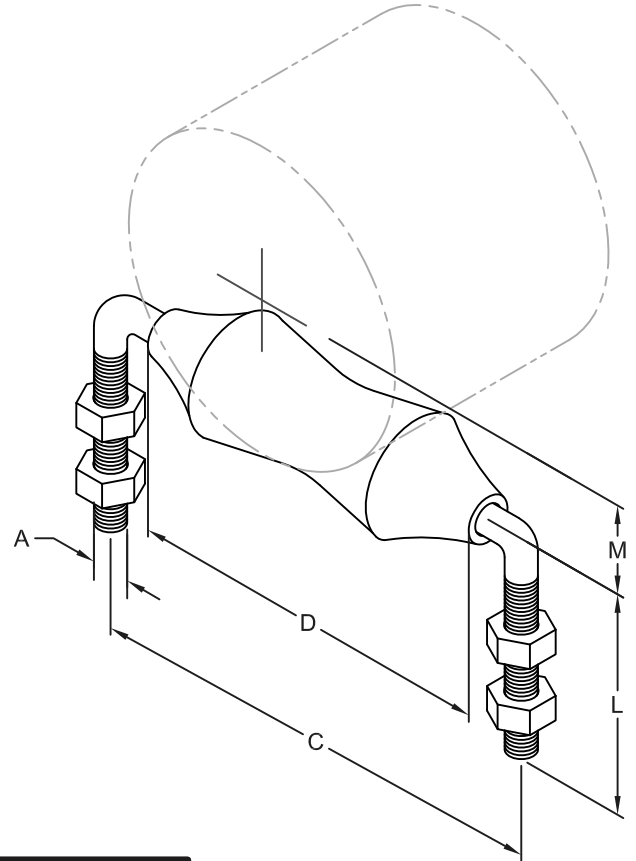
TRIPAC FIG. TP-271 ADJUSTABLE ROLLER SUPPORT

SIZE RANGE-2" THRU 16" PIPE

SERVICE-DESIGNED FOR SUPPORT OF PIPE WHERE LONGITUDINAL MOVEMENT OF PIPE MAY OCCUR DUE TO EXPANSION AND CONTRACTION, AND WHERE VERTICAL ADJUSTMENT MAY BE NECESSARY.

MATERIAL-CARBON STEEL ROD WITH CAST IRON ROLLER.

FINISHES-PLAIN, ELECTRO-GALVANIZED, HDG



DIMENSIONS & WEIGHTS

PIPE SIZE	A	C	D	L	M	MAX. REC. LOAD LBS.	WEIGHT EACH (LBS.)
2"	3/8"	4-1/2"	2-5/8"	4-1/2"	1-5/8"	300	.85
2-1/2"	1/2"	5"	3-1/8"	4-1/2"	1-15/16"	600	1.40
3"	1/2"	6-1/8"	3-3/4"	4-1/2"	2-1/4"	600	1.65
3-1/2"	1/2"	6-1/2"	4-1/4"	4-1/2"	2-9/16"	600	1.63
4"	1/2"	7-3/8"	4-3/4"	4-1/2"	2-13/16"	700	1.85
5"	5/8"	8-1/2"	5-13/16"	4-1/2"	3-7/16"	700	2.92
6"	3/4"	10"	6-7/8"	4-1/2"	4-1/16"	1000	4.64
8"	7/8"	12"	8-7/8"	5-1/4"	5-1/8"	1300	7.27
10"	7/8"	14"	11"	5-1/2"	6-3/8"	1700	10.24
12"	7/8"	16"	13"	6"	7-5/16"	2300	12.30
14"	1-1/8"	17-1/2"	14-1/4"	7"	8-7/16"	3075	21.36
16"	1-1/4"	19"	16-1/4"	8"	9-1/2"	3075	27.70

TRIPAC

475 KLUG CIRCLE • CORONA, CA 92880-6406
(951) 280-4488 • FAX: (951) 272-4445

54

A DIVISION OF TRIPAC MARKETING, INC.

WWW.TRIPACONLINE.COM

TRIPAC FIG. TP-272 ADJUSTABLE ROLLER HANGER

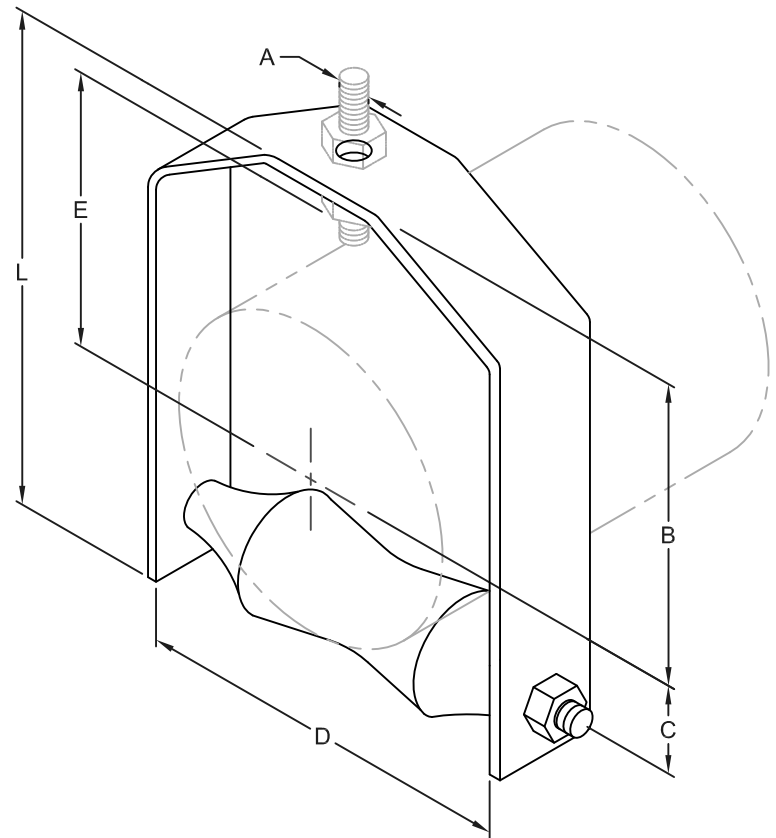
SIZE RANGE-2" THRU 20" PIPE

SERVICE-DESIGNED FOR SUSPENSION OF PIPE WHERE LONGITUDINAL MOVEMENT OF PIPE MAY OCCUR DUE TO EXPANSION AND CONTRACTION, AND WHERE VERTICAL ADJUSTMENT MAY BE NECESSARY.

MATERIAL-CARBON STEEL YOKE AND CROSS BOLT WITH CAST IRON ROLLER.

FINISHES-PLAIN, ELECTRO-GALVANIZED, HDG

COMPLIES WITH FEDERAL SPECIFICATION WW-H-171-E (TYPE #44), A-A-1192 A (TYPE #43) AND MANUFACTURERS STANDARDIZATION SOCIETY MSS SP-58 AND SP-69 (TYPE #43)



DIMENSIONS & WEIGHTS

PIPE SIZE	A	B	C	D	E	L	MAX. REC. LOAD LBS.	WEIGHT EACH (LBS.)
2"	1/2"	3-3/8"	1-9/16"	2-7/8"	2-1/4"	5-5/8"	150	1.14
2-1/2"	1/2"	3-15/16"	1-7/8"	3-1/4"	2-13/16"	6-1/2"	225	1.47
3"	1/2"	4-5/16"	2-1/8"	3-13/16"	3-3/16"	7-3/16"	310	1.62
3-1/2"	1/2"	4-5/8"	2-1/2"	4-5/16"	3-7/16"	7-15/16"	390	2.76
4"	5/8"	4-13/16"	2-13/16"	4-7/8"	3-3/8"	8-1/2"	475	3.16
5"	5/8"	5-3/4"	3-3/8"	5-7/8"	4-5/16"	9-15/16"	685	4.62
6"	3/4"	6-3/8"	3-15/16"	7"	4-5/8"	11-1/4"	780	6.08
7"	3/4"	6-5/16"	4-1/2"	8"	4-9/16"	11-5/8"	780	7.59
8"	7/8"	7-9/16"	5-1/8"	9"	5-7/16"	13-7/8"	780	11.83
10"	7/8"	8-3/4"	6-1/4"	11-1/8"	6-5/8"	16-1/4"	965	17.29
12"	7/8"	9-5/8"	7-3/8"	13"	7-7/8"	18-7/8"	1200	22.50
14"	1"	11-1/4"	8-3/8"	14-1/4"	9-1/4"	21-7/8"	1200	33.00
16"	1"	12-1/4"	9-3/8"	16-1/4"	10-1/4"	24-1/8"	1200	46.00
18"	1"	13-1/4"	10-1/2"	18-1/4"	11-1/4"	26-1/2"	1400	50.50
20"	1-1/4"	14-1/4"	11-5/8"	20-1/4"	12-1/4"	28-1/8"	1600	65.00
24"	1-1/4"	16-1/4"	13-11/16"	24-1/4"	14-1/4"	32-7/16"	1800	113.00

TRIPAC

475 KLUG CIRCLE • CORONA, CA 92880-6406
(951) 280-4488 • FAX: (951) 272-4445

55

A DIVISION OF TRIPAC MARKETING, INC.
WWW.TRIPACONLINE.COM

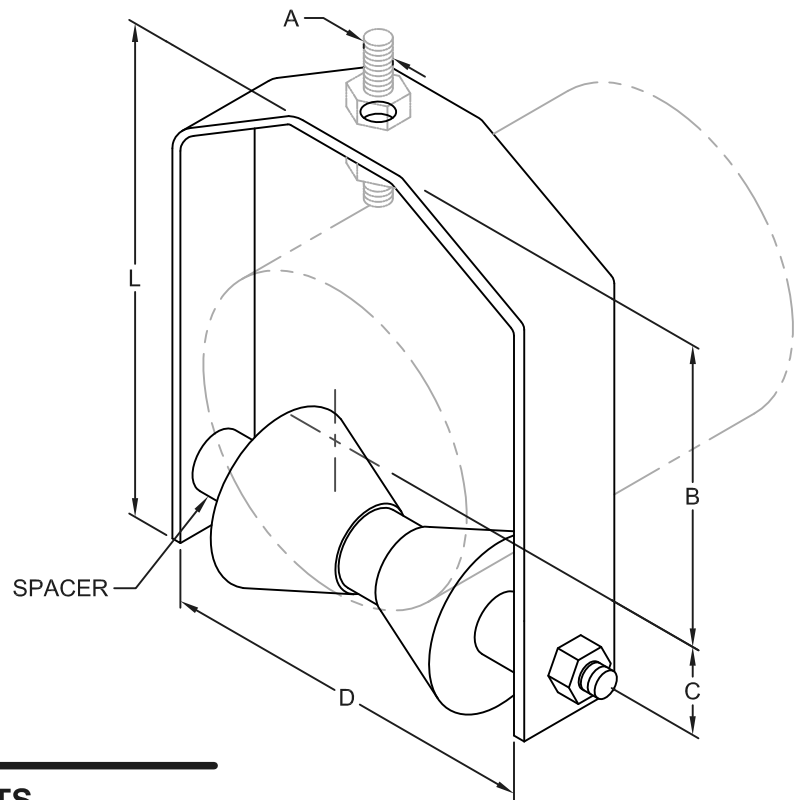
TRIPAC FIG. TP-272SS ADJUSTABLE ROLLER HANGER

SIZE RANGE-4" THRU 20" PIPE

SERVICE-DESIGNED FOR SUSPENSION OF PIPE WHERE LONGITUDINAL MOVEMENT OF PIPE MAY OCCUR DUE TO EXPANSION AND CONTRACTION, AND WHERE VERTICAL ADJUSTMENT MAY BE NECESSARY. EXCELLENT CORROSION RESISTANCE.

MATERIAL-ALL 304 STAINLESS STEEL CONSTRUCTION.

COMPLIES WITH FEDERAL SPECIFICATION WW-H-171-E (TYPE #44), A-A-1192 A (TYPE #43) AND MANUFACTURERS STANDARDIZATION SOCIETY MSS SP-58 AND SP-69 (TYPE #43)



DIMENSIONS & WEIGHTS

PIPE SIZE	A	B	C	D	L	CROSS ROD DIA.
4"	5/8"	5-3/16"	2-13/16"	4-7/8"	9-1/4"	3/4"
6"	3/4"	6-7/16"	3-15/16"	7"	11-5/8"	3/4"
8"	7/8"	7-1/2"	5-1/4"	9"	14"	7/8"
10"	7/8"	8-3/4"	6-3/8"	11"	16-1/2"	7/8"
12"	7/8"	10-1/16"	7-7/16"	13"	18-7/8"	1-1/8"
14"	1"	10-15/16"	8-3/16"	14-1/4"	20-5/8"	1-1/8"
16"	1"	12-13/16"	9-5/16"	16-1/4"	24-3/8"	1-1/4"
18"	1"	13-3/4"	10-3/8"	18-1/4"	26-1/8"	1-1/4"
20"	1-1/4"	15-1/16"	11-5/16"	20-1/4"	28-11/16"	1-1/4"

TRIPAC

475 KLUG CIRCLE • CORONA, CA 92880-6406
(951) 280-4488 • FAX: (951) 272-4445

56

A DIVISION OF TRIPAC MARKETING, INC.

WWW.TRIPACONLINE.COM

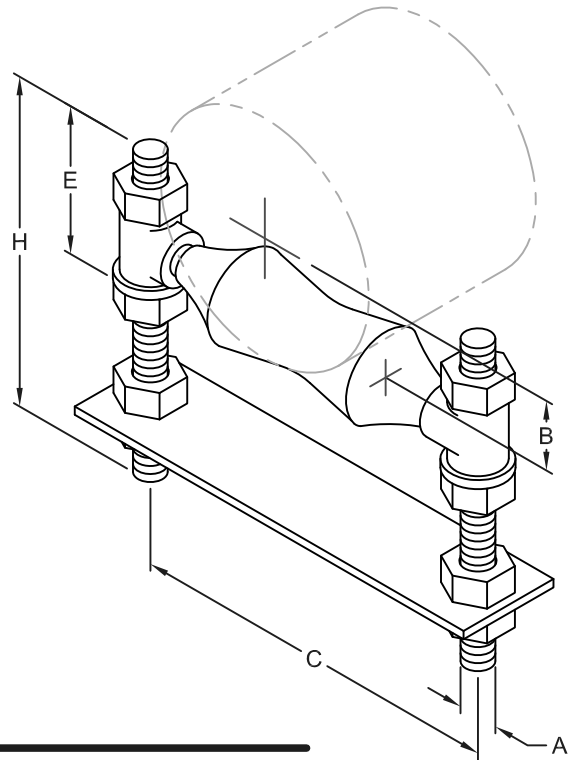
TRIPAC FIG. TP-273 ADJUSTABLE TWO-ROD ROLLER SUPPORT

SIZE RANGE-2" THRU 30" PIPE

SERVICE-DESIGNED FOR THE SUPPORT OF PIPE WHERE LONGITUDINAL MOVEMENT MAY OCCUR DUE TO EXPANSION AND CONTRACTION, AND VERTICAL ADJUSTMENT OF UP TO 6 INCHES MAY BE NECESSARY.

MATERIAL-CARBON STEEL AXLES AND RODS WITH CAST IRON ROLLERS AND SOCKETS.

FINISHES-PLAIN, ELECTRO-GALVANIZED, HDG



DIMENSIONS & WEIGHTS

PIPE SIZE	AXLE SIZE	A	B	C	E	H	MAX. REC. LOAD LBS.	WEIGHT EACH (LBS.)
2"	3/8"	3/8"	1-9/16"	4-3/8"	2-3/16"	12"	600	1.450
2-1/2"	1/2"	1/2"	1-7/8"	5-1/8"	2-5/8"	12"	600	2.535
3"	1/2"	1/2"	2-1/8"	5-5/8"	2-7/8"	12"	700	2.735
3-1/2"	1/2"	1/2"	2-1/2"	5-7/8"	3-1/4"	12"	750	2.850
4"	1/2"	5/8"	2-13/16"	7"	3-13/16"	12"	750	4.320
5"	5/8"	5/8"	3-3/8"	8-1/8"	4-3/8"	12"	750	4.780
6"	3/4"	3/4"	3-15/16"	9-3/4"	4-15/16"	12"	1070	7.705
7"	3/4"	3/4"	4-1/2"	10-1/2"	5-1/4"	12"	1070	8.410
8"	7/8"	7/8"	5-1/8"	12-1/8"	6-3/8"	12"	1350	12.205
10"	7/8"	7/8"	6-1/4"	14"	7-1/2"	12"	1730	13.950
12"	7/8"	7/8"	7-5/16"	15-3/4"	8-9/16"	12"	2400	17.930
14"	1-1/8"	1"	8-3/8"	17-3/4"	9-13/16"	18"	3130	27.545
16"	1-1/4"	1"	9-1/2"	20-9/16"	10-15/16"	18"	3970	33.340
18"	1-1/4"	1"	10-7/16"	22"	11-7/8"	18"	4200	36.000
20"	1-1/4"	1-1/4"	11-1/2"	24"	13-3/8"	18"	4550	46.600
24"	1-1/2"	1-1/2"	13-13/16"	28-3/4"	16-1/8"	24"	6160	81.220
30"	1-3/4"	1-1/2"	17-1/4"	35-5/8"	19-5/8"	24"	7290	109.220

TRIPAC

475 KLUK CIRCLE • CORONA, CA 92880-6406
(951) 280-4488 • FAX: (951) 272-4445

57

A DIVISION OF TRIPAC MARKETING, INC.

WWW.TRIPACONLINE.COM

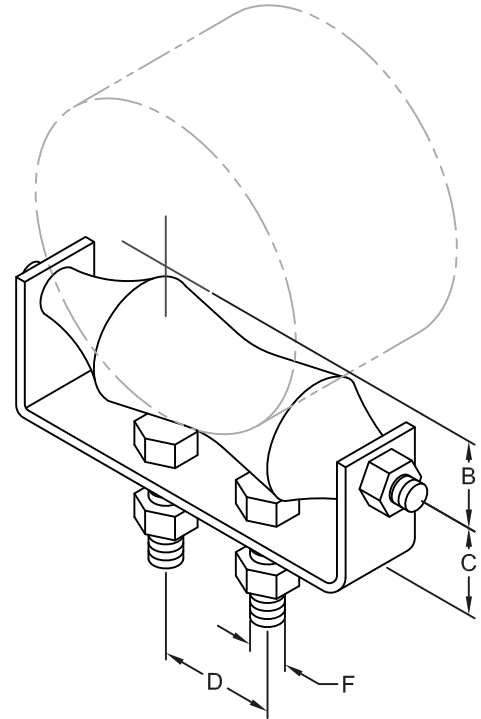
TRIPAC FIG. TP-275 ROLLER CHAIR

SIZE RANGE-2" THRU 24" PIPE

SERVICE-DESIGNED FOR SUSPENSION OF PIPE WHERE LONGITUDINAL MOVEMENT OF PIPE MAY OCCUR DUE TO EXPANSION AND CONTRACTION, AND VERTICAL ADJUSTMENT IS NOT NECESSARY. MAY BE BOLTED OR WELDED TO SUPPORTING MEMBER.

MATERIAL-CARBON STEEL CHAIR AND AXLE WITH CAST IRON ROLLER. ALSO AVAILABLE IN 304 STAINLESS STEEL.

FINISHES-PLAIN, ELECTRO-GALVANIZED, HDG



DIMENSIONS & WEIGHTS

PIPE SIZE	AXLE SIZE	B	C	D	F	MAX. REC. LOAD LBS.	WEIGHT EACH (LBS.)
2"	3/8"	1-9/16"	1-3/8"	1-1/4"	3/8"	390	0.94
2-1/2"	1/2"	1-7/8"	1-5/8"	1-1/4"	3/8"	390	1.18
3"	1/2"	2-1/8"	1-3/4"	2"	3/8"	390	1.32
3-1/2"	1/2"	2-1/2"	2"	2-1/2"	3/8"	390	2.58
4"	1/2"	2-13/16"	2-5/16"	2"	1/2"	950	2.94
5"	5/8"	3-3/8"	2-1/2"	3"	1/2"	950	3.64
6"	3/4"	3-15/16"	2-3/4"	3-1/8"	1/2"	950	5.72
7"	3/4"	4-1/2"	2-13/16"	3-3/8"	1/2"	1350	6.98
8"	7/8"	5-1/8"	3"	3-3/8"	5/8"	1350	8.16
10"	7/8"	6-3/8"	3-5/8"	5"	5/8"	1730	11.96
12"	7/8"	7-1/2"	4-1/8"	6"	5/8"	2400	15.86
14"	1-1/8"	8-3/8"	4-11/16"	6-1/2"	3/4"	3130	21.58
16"	1-1/4"	9-3/8"	5-3/8"	8-1/4"	3/4"	3970	34.50
18"	1-1/4"	10-7/16"	6"	9-1/4"	3/4"	4200	36.50
20"	1-1/4"	11-5/8"	6-1/2"	10-1/4"	3/4"	4550	45.00
24"	1-1/2"	14"	7-7/8"	12-1/4"	7/8"	6160	77.50

TRIPAC

475 KLUG CIRCLE • CORONA, CA 92880-6406
(951) 280-4488 • FAX: (951) 272-4445

TRIPAC FIG. TP-277 ADJUSTABLE TWO ROD ROLLER HANGER

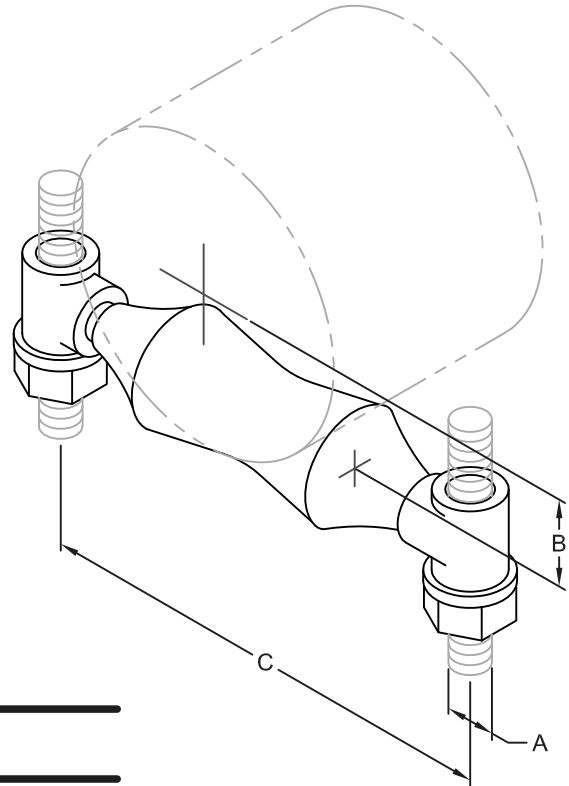
SIZE RANGE-2" THRU 30" PIPE

SERVICE-DESIGNED FOR SUSPENSION OF PIPE WHERE LONGITUDINAL MOVEMENT OF PIPE MAY OCCUR DUE TO EXPANSION AND CONTRACTION, AND VERTICAL ADJUSTMENT IS NECESSARY.

MATERIAL-CARBON STEEL AXLE WITH CAST IRON ROLLER AND SOCKET ENDS.

FINISHES-PLAIN, ELECTRO-GALVANIZED, HDG

COMPLIES WITH FEDERAL SPECIFICATION WW-H-171-E (TYPE #42), A-A-1192 A (TYPE #41) AND MANUFACTURERS STANDARDIZATION SOCIETY MSS SP-58 AND SP-69 (TYPE #41).



DIMENSIONS & WEIGHTS

PIPE SIZE	AXLE SIZE	A	B	C	MAX. REC. LOAD LBS.	WEIGHT EACH (LBS.)
2"	3/8"	3/8"	1-9/16"	4-3/8"	600	0.760
2-1/2"	1/2"	1/2"	1-7/8"	5-1/8"	660	1.185
3"	1/2"	1/2"	2-1/8"	5-5/8"	700	1.385
3-1/2"	1/2"	1/2"	2-1/2"	5-7/8"	750	1.500
4"	1/2"	5/8"	2-13/16"	7"	750	2.110
5"	5/8"	5/8"	3-3/8"	8-1/8"	750	2.570
6"	3/4"	3/4"	3-15/16"	9-3/4"	1070	4.395
7"	3/4"	3/4"	4-1/2"	10-1/2"	1100	5.160
8"	7/8"	7/8"	5-1/8"	12-1/8"	1350	7.425
10"	7/8"	7/8"	6-1/4"	14"	1730	9.170
12"	7/8"	7/8"	7-5/16"	15-3/4"	2400	13.150
14"	1-1/8"	1"	8-3/8"	17-3/4"	3130	18.745
16"	1-1/4"	1"	9-1/2"	20-9/16"	3970	24.540
18"	1-1/4"	1"	10-7/16"	22"	4200	27.200
20"	1-1/4"	1-1/4"	11-1/2"	24"	4550	32.000
24"	1-1/2"	1-1/2"	13-13/16"	28-3/4"	6160	54.000
30"	1-3/4"	1-1/2"	17-1/4"	35-5/8"	7290	82.000

TRIPAC

475 KLUG CIRCLE • CORONA, CA 92880-6406
(951) 280-4488 • FAX: (951) 272-4445

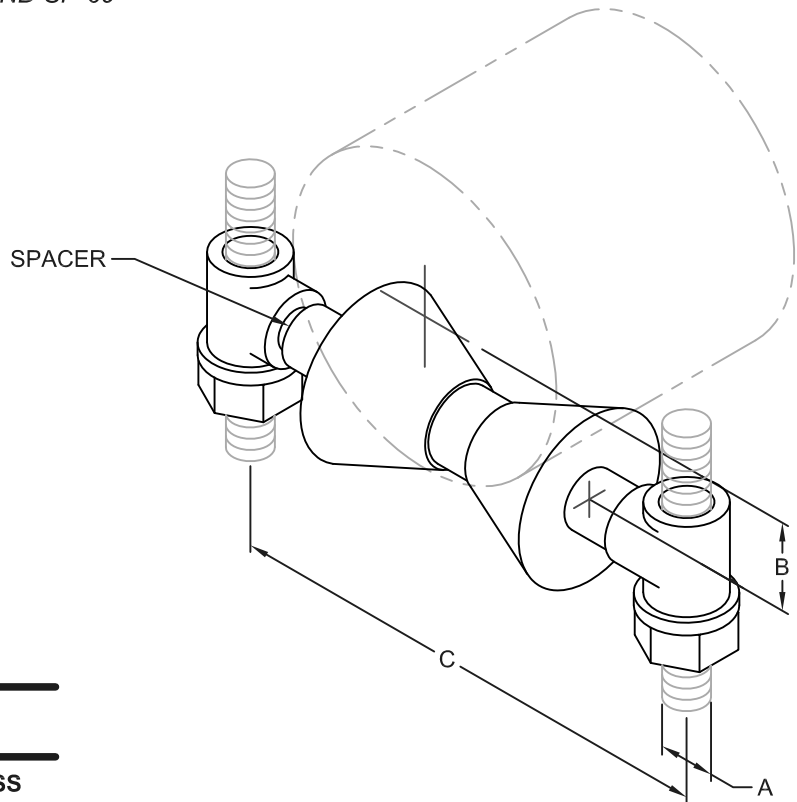
TRIPAC FIG. TP-277SS ADJUSTABLE TWO ROD ROLLER HANGER

SIZE RANGE-4" THRU 20" PIPE

SERVICE-DESIGNED FOR SUSPENSION OF PIPE WHERE LONGITUDINAL MOVEMENT OF PIPE MAY OCCUR DUE TO EXPANSION AND CONTRACTION, AND VERTICAL ADJUSTMENT IS NECESSARY.

MATERIAL-ALL 304 STAINLESS STEEL CONSTRUCTION

COMPLIES WITH FEDERAL SPECIFICATION WW-H-171-E (TYPE #42), A-A-1192 A (TYPE #41) AND MANUFACTURERS STANDARDIZATION SOCIETY MSS SP-58 AND SP-69 (TYPE #41).



DIMENSIONS & WEIGHTS

PIPE SIZE	A	B	C	CROSS ROD DIA.
4"	3/4"	2-13/16"	6-3/4"	3/4"
6"	3/4"	3-15/16"	9-9/16"	3/4"
8"	7/8"	5-1/4"	11-15/16"	7/8"
10"	7/8"	6-3/8"	14-1/16"	7/8"
12"	1"	7-7/16"	16-5/16"	1-1/8"
14"	1"	8-3/16"	17-3/4"	1-1/8"
16"	1-1/4"	9-5/16"	20-3/4"	1-1/4"
18"	1-1/4"	10-3/8"	21-7/8"	1-1/4"
20"	1-1/4"	11-5/16"	24-1/4"	1-1/4"

TRIPAC

475 KLUG CIRCLE • CORONA, CA 92880-6406
(951) 280-4488 • FAX: (951) 272-4445

TRIPAC FIG. TP-279 PIPE ROLL STAND

SIZE RANGE-2" THRU 42" PIPE

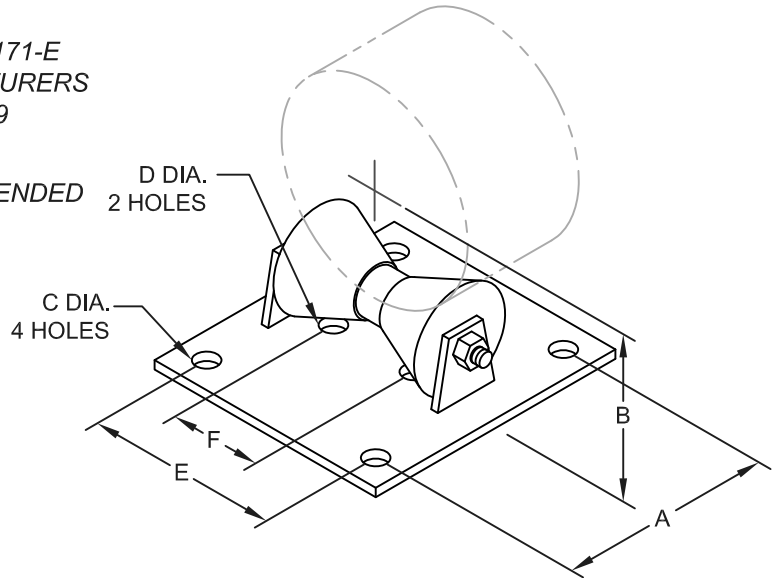
SERVICE-DESIGNED FOR SUSPENSION OF PIPE WHERE LONGITUDINAL MOVEMENT OF PIPE MAY OCCUR DUE TO EXPANSION AND CONTRACTION WHERE VERTICAL ADJUSTMENT IS NOT NECESSARY.

MATERIAL-CARBON STEEL CHAIR AND AXLE WITH CAST IRON ROLLER. ALSO AVAILABLE IN 304 STAINLESS STEEL

FINISHES-PLAIN, ELECTRO-GALVANIZED, HDG

COMPLIES WITH FEDERAL SPECIFICATION WW-H-171-E (TYPE #45), A-A-1192 A (TYPE #44) AND MANUFACTURERS STANDARDIZATION SOCIETY MSS SP-58 AND SP-69 (TYPE #44).

STAINLESS STEEL ROLLER CHAIRS ARE RECOMMENDED FOR APPLICATIONS WHERE PROTECTION FROM CORROSIVE ENVIRONMENTS IS NEEDED.



DIMENSIONS & WEIGHTS

PIPE SIZE	A	B	C DIA.	D DIA.	E	F	MAX. REC. LOAD LBS.	WEIGHT EACH (LBS.)
2"	4"	3-11/16"	9/16"	1"	3-3/8"	6-3/8"	390	5.08
2-1/2"	4"	3-15/16"	9/16"	1"	3-3/8"	6-3/8"	390	5.08
3"	4"	4-1/4"	9/16"	1"	3-3/8"	6-3/8"	390	5.08
3-1/2"	4"	4-1/2"	9/16"	1"	3-3/8"	6-3/8"	390	5.08
4"	4-1/4"	5"	9/16"	1"	4-3/4"	7-7/8"	650	6.31
5"	4-1/4"	5-9/16"	9/16"	1"	4-3/4"	7-7/8"	950	6.31
6"	4-1/4"	6-1/16"	9/16"	1"	4-3/4"	7-7/8"	950	6.31
8"	5"	8-13/16"	11/16"	1"	7"	4"	2100	13.65
10"	5"	9-7/8"	11/16"	1"	7"	4"	2100	13.65
12"	6"	11-7/16"	13/16"	1"	9"	5-3/4"	3075	21.00
14"	6"	12-1/16"	13/16"	1"	9"	5-3/4"	3075	21.00
16"	6-1/2"	13-5/8"	13/16"	1"	10-3/8"	6-3/4"	4980	34.23
18"	6-1/2"	14-11/16"	13/16"	1"	10-3/8"	6-3/4"	4980	34.23
20"	6-1/2"	15-11/16"	13/16"	1"	10-3/8"	6-3/4"	4980	34.23
24"	6-1/2"	17-11/16"	13/16"	1"	11-1/2"	7-1/2"	6100	40.00
30"	7-3/4"	21-3/4"	1-1/16"	1"	14-1/4"	10"	7500	71.32
36"	9"	25-3/4"	1-3/8"	1"	17"	12"	12000	147
42"	9"	28-7/8"	1-3/8"	1"	17"	12"	12000	147

TRIPAC

475 KLUG CIRCLE • CORONA, CA 92880-6406
(951) 280-4488 • FAX: (951) 272-4445

TRIPAC FIG. TP-280 ADJUSTABLE PIPE ROLL STAND

SIZE RANGE-2" THRU 30" PIPE

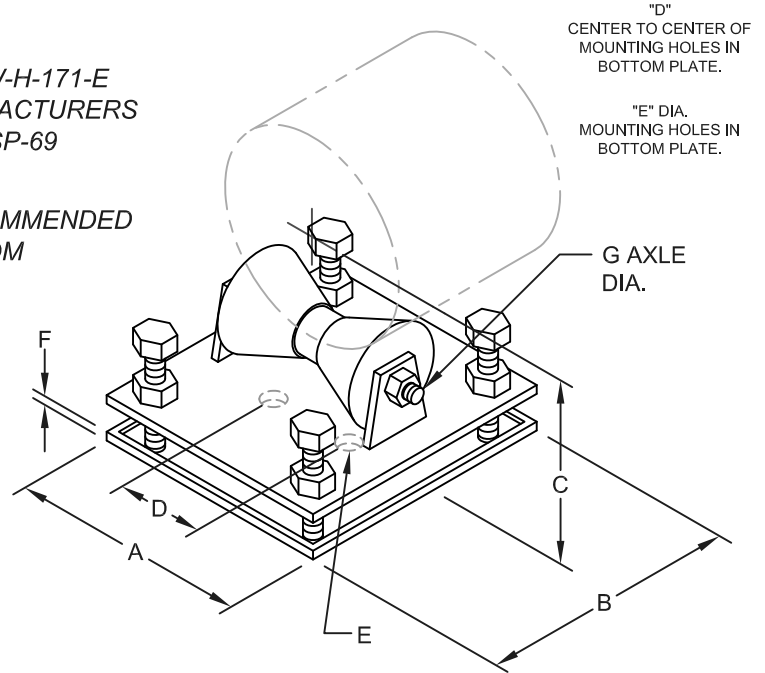
SERVICE-DESIGNED FOR SUPPORT OF PIPE WHERE LONGITUDINAL MOVEMENT MAY OCCUR DUE TO EXPANSION AND CONTRACTION, AND WHERE VERTICAL ADJUSTMENT IS NECESSARY.

MATERIAL-CARBON STEEL CHAIR AND AXLE WITH CAST IRON ROLLER. ALSO AVAILABLE IN 304 STAINLESS STEEL

FINISHES-PLAIN, ELECTRO-GALVANIZED, HDG

COMPLIES WITH FEDERAL SPECIFICATION WW-H-171-E (TYPE #47), A-A-1192 A (TYPE #46) AND MANUFACTURERS STANDARDIZATION SOCIETY MSS SP-58 AND SP-69 (TYPE #46).

STAINLESS STEEL ROLLER CHAIRS ARE RECOMMENDED FOR APPLICATIONS WHERE PROTECTION FROM CORROSIVE ENVIRONMENTS IS NEEDED.



DIMENSIONS & WEIGHTS

PIPE SIZE	A	B	C MIN.	C MAX.	D	E	F	G	MAX. REC. LOAD LBS.	WEIGHT EACH (LBS.)
2"	6-7/8"	6"	4-3/4"	5-5/8"	3-7/8"	1"	1"	1/2"	390	11.00
2-1/2"	6-7/8"	6"	5"	5-7/8"	3-7/8"	1"	1"	1/2"	390	11.00
3"	6-7/8"	6"	5-5/16"	6-9/16"	3-7/8"	1"	1"	1/2"	390	11.00
3-1/2"	6-7/8"	6"	5-9/16"	6-7/16"	3-7/8"	1"	1"	1/2"	390	11.00
4"	8-1/2"	6"	6-3/16"	7-7/16"	5-1/8"	1"	1"	1/2"	950	13.10
5"	8-1/2"	6"	6-3/4"	8"	5-1/8"	1"	1"	1/2"	950	13.10
6"	8-1/2"	6"	7-1/4"	8-1/2"	5-1/8"	1"	1"	1/2"	950	13.10
8"	10-1/2"	7-1/2"	10-1/8"	11-11/16"	7-3/8"	1"	1"	3/4"	2100	29.00
10"	10-1/2"	7-1/2"	11-3/16"	12-3/4"	7-3/8"	1"	1"	3/4"	2100	29.00
12"	12-1/2"	8-1/4"	12-3/4"	14-1/8"	9-1/2"	1"	1"	7/8"	3075	40.00
14"	12-1/2"	8-1/4"	13-3/8"	14-3/8"	9-1/2"	1"	1"	7/8"	3075	40.00
16"	14-5/8"	10"	15-3/8"	17-1/4"	11-1/8"	1"	1"	1-1/8"	4980	63.84
18"	14-5/8"	10"	16-3/8"	18-1/4"	11-1/8"	1"	1"	1-1/8"	4980	63.84
20"	14-5/8"	10"	17-3/8"	19-1/4"	11-1/8"	1"	1"	1-1/8"	4980	63.84
24"	15-3/4"	10"	19-1/4"	21-1/4"	12-1/4"	1"	1"	1-1/4"	6100	71.00
30"	19-1/2"	10-3/4"	24-7/16"	26-11/16"	15-3/4"	1"	1-1/2"	1-3/4"	7500	125.28

TRIPAC

475 KLUG CIRCLE • CORONA, CA 92880-6406
(951) 280-4488 • FAX: (951) 272-4445

62

A DIVISION OF TRIPAC MARKETING, INC.

WWW.TRIPACONLINE.COM

TRIPAC FIG. TP-304 WELD BEAM ATTACHMENT TRIPAC FIG. TP-305 WELD BEAM ATTACHMENT WITH PIN

SIZE RANGE-3/8" THRU 3-1/2" ROD

SERVICE-DESIGNED FOR ATTACHING HANGER ROD TO BOTTOM OF STEEL STRUCTURES. CAN BE USED IN AN UPRIGHT (TP-304) OR INVERTED POSITION (TP-305).

MATERIAL-CARBON STEEL, T-304 AND T-316

FINISHES-PLAIN, ELECTRO-GALVANIZED, HDG

COMPLIES WITH FEDERAL SPECIFICATION WW-H-171-E (TYPE #22) AND MANUFACTURERS STANDARDIZATION SOCIETY MSS SP-69 AND SP-69 (TYPE #22)

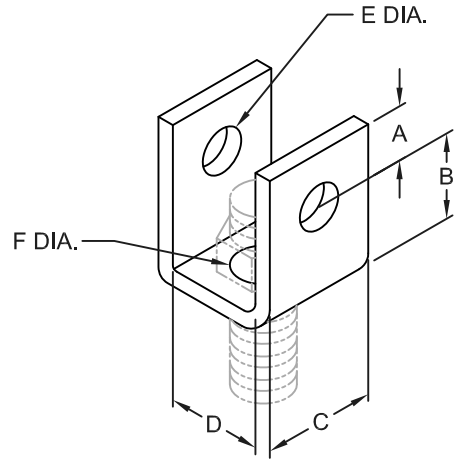


FIG. TP-304

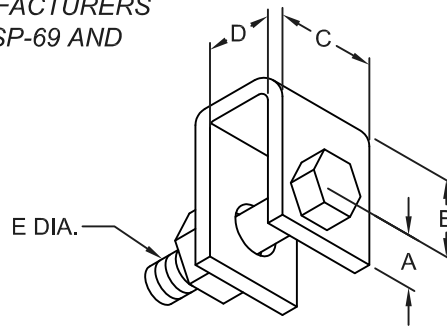


FIG. TP-305

DIMENSIONS & WEIGHTS

ROD SIZE	A	B	C	D	E	F	BOLT SIZE	MAX. DESIGN LOAD LBS. FOR SERVICE TEMP.		TP-304 APPROX. WT./100	TP-305 APPROX. WT./100
								650°F / 343°C	750°F / 399°C		
3/8"	7/8"	2"	2"	1-1/4"	9/16"	7/16"	1/2" X 2-1/2"	310	510	86	107
1/2"	7/8"	2"	2"	1-1/4"	11/16"	9/16"	5/8" X 2-1/2"	1130	940	83	118
5/8"	1"	2"	2"	1-1/4"	13/16"	11/16"	3/4" X 2-3/4"	1810	1510	84	140
3/4"	1-1/8"	2"	2-1/2"	1-1/2"	15/16"	13/16"	7/8" X 3"	2710	2260	174	261
7/8"	1-1/4"	3"	2-1/2"	2"	1-1/8"	15/16"	1" X 4"	3770	3150	232	374
1"	1-1/2"	3"	3"	2"	1-1/4"	1-1/8"	1-1/8" X 4-1/2"	4960	4150	394	595
1-1/4"	2"	3"	4"	2-1/2"	1-5/8"	1-3/8"	1-1/2" X 5-3/4"	8000	6660	738	1026
1-1/2"	2-1/2"	4"	5"	3"	1-7/8"	1-5/8"	1-3/4" X 6-1/2"	11630	9700	1449	1892
1-3/4"	2-3/4"	5"	5"	3-3/4"	2-1/8"	1-7/8"	2" X 7-3/4"	15700	14000	1747	2437
2"	3-1/4"	5"	6"	3-3/4"	2-3/8"	2-1/8"	2-1/4" X 7-3/4"	20700	18460	2201	3074
2-1/4"	3-1/2"	6"	6"	4-1/2"	2-5/8"	2"	2-1/2" X 7-3/4"	27200	24260	2523	3601
2-1/2"	3-3/4"	6"	6"	4-1/2"	2-7/8"	2-3/8"	2-3/4" X 8"	33500	29880	2552	3898
*2-3/4"	4"	5-3/4"	6"	3-3/4"	3-1/8"	--	3" X 7-5/8"	41580	37066	2675	4202
*3"	4"	6-1/4"	7"	3-3/4"	3-3/8"	--	3-1/4" X 7-5/8"	50580	45085	3250	5043
*3-1/4"	4-1/2"	7"	7"	4-1/4"	3-5/8"	--	3-1/2" X 8-1/2"	60480	53906	4500	6817
*3-1/2"	4-1/2"	7-1/2"	8"	4-1/4"	3-7/8"	--	3-3/4" X 8-1/2"	71280	63493	5320	7980

NOTE: SIZES 3/8" THRU 1" FURNISHED WITH MACHINE BOLT; SIZES 1-1/4" THRU 3-1/2" FURNISHED WITH PIN AND COTTER.

* WELDED PLATE



475 KLUG CIRCLE • CORONA, CA 92880-6406
(951) 280-4488 • FAX: (951) 272-4445

TRIPAC FIG. TP-309 CONCRETE INSERT

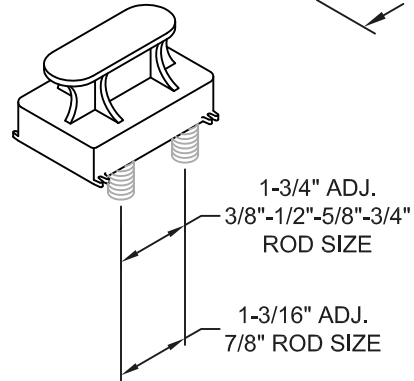
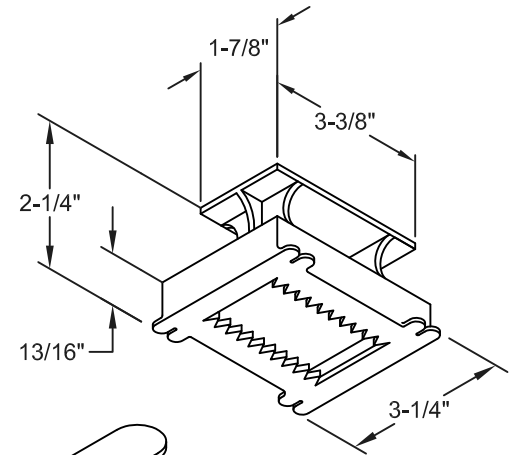
SERVICE-FOR USE IN CONCRETE TO ATTACH 3/8" THRU 7/8" HANGER ROD.

FINISHES-PLAIN, E.G.

NOTE-OTHER MANUFACTURERS INSERT NUTS ARE NOT NECESSARILY COMPATIBLE WITH TRIPAC FIG TP-309 (CONCRETE INSERT). THEREFORE IT IS RECOMMENDED THAT TRIPAC FIG. TP-309N (CONCRETE INSERT NUTS) BE ORDERED CONCURRENTLY WITH FIG. TP-309

MATERIAL-MALLEABLE IRON

COMPLIES WITH FEDERAL SPECIFICATION WW-H-171-E (TYPE #18) AND MANUFACTURERS STANDARDIZATION SOCIETY MSS AND SP-69 (TYPE #18)



DIMENSIONS & WEIGHTS

	ROD SIZE*	MAX. REC. LOAD LBS.*	APPROX. WT./100
INSERT ONLY	3/8"-7/8"	1140	130

* SEE FIG. 309N

† BASED ON MINIMUM SAFETY FACTOR OF 5, RATING IS SUBJECT TO THE CONDITION THAT THE CONCRETE USED IS SUFFICIENT STRENGTH TO HOLD THE INSERT.

TRIPAC FIG. TP-309N CONCRETE INSERT NUT

SIZE RANGE-3/8" THRU 7/8" ROD

SERVICE-DESIGNED FOR USE IN FIG. TP-309 (CONCRETE INSERT).

NOTE-OTHER MANUFACTURERS CONCRETE INSERTS ARE NOT NECESSARILY COMPATIBLE WITH TRIPAC FIG. TP-309N (CONCRETE INSERT NUTS). THEREFORE IT IS RECOMMENDED THAT TRIPAC FIG. TP-309 BE ORDERED CONCURRENTLY WITH FIG. TP-309N.

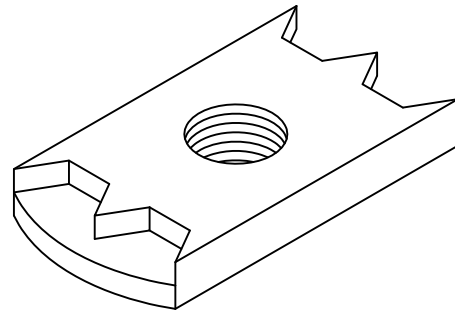
MATERIAL-DUCTILE IRON

FINISHES-PLAIN, E.G.

DIMENSIONS & WEIGHTS

ROD SIZE	MAX. REC. LOAD LBS.*	APPROX. WT./100
3/8"	610	20
1/2"	1130	21
5/8"	1140	20
3/4"	1140	22
7/8"	1140	21

† BASED ON MINIMUM SAFETY FACTOR OF 5, RATING IS SUBJECT TO THE CONDITION THAT THE CONCRETE USED IS SUFFICIENT STRENGTH TO HOLD THE INSERT.



TRIPAC

475 KLUG CIRCLE • CORONA, CA 92880-6406
(951) 280-4488 • FAX: (951) 272-4445

TRIPAC FIG. TP-310 STEEL SPOT CONCRETE INSERT

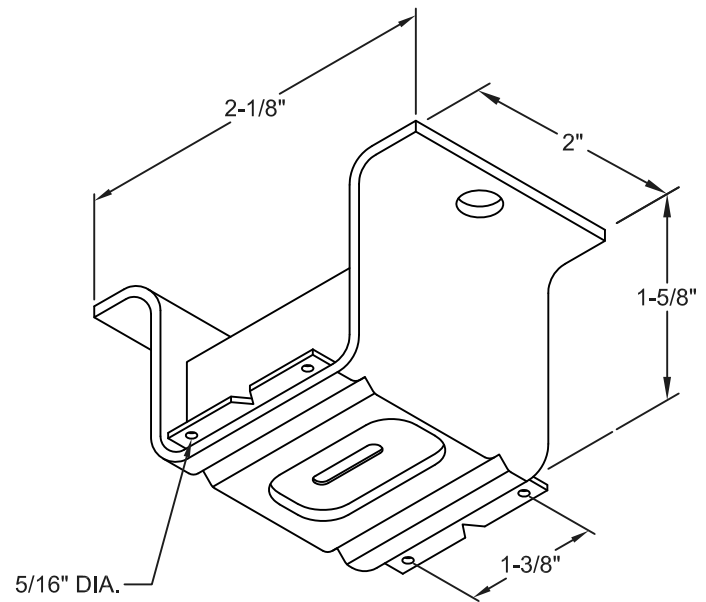
SERVICE-FIG. TP-310 IS FOR USE AS A STRUCTURAL ATTACHMENT IN CONCRETE CEILINGS. KNOCKOUT PLUG IS DESIGNED TO PROTECT AGAINST CONCRETE SEEPAGE. PLACE INSERT FACE DOWN ON CONCRETE FORM AND NAIL IN PLACE. REINFORCING RODS MAY BE POSITIONED UNDER FLANGE LIPS. SPECIFIED LOAD RATINGS AND APPROVALS ARE NOT DEPENDENT ON THE USE OF ANY REINFORCING RODS IN CONTACT WITH THE INSERT. POUR CONCRETE, STRIP FORMS, PLACE SCREWDRIVER TIP IN SLOT OF KNOCKOUT PLUG AND TWIST SHARPLY. INSERT SQUARE NUT (FIG. TP-310N) AND RUN ROD THROUGH NUT UNTIL TIGHT AGAINST TOP OF INSERT, TURN ROD ONE-HALF TURN TO LOCK AND PROTECT AGAINST VIBRATION.

NOTE-OTHER MANUFACTURERS INSERT NUTS ARE NOT NECESSARILY COMPATIBLE WITH TRIPAC FIG. TP-310 (SPOT INSERTS). THEREFORE IT IS RECOMMENDED THAT TRIPAC FIG. TP-310N (SPOT INSERT NUTS) BE ORDERED CONCURRENTLY WITH FIG. 310 (SPOT INSERTS).

FINISHES-PLAIN, E.G.

MATERIAL-CARBON STEEL

COMPLIES WITH FEDERAL SPECIFICATION WW-H-171-E (TYPE #19) AND MANUFACTURERS STANDARDIZATION SOCIETY MSS AND SP-69 (TYPE #18)



DIMENSIONS & WEIGHTS

MAX. REC. LOAD LBS.*	APPROX. WT./100
600	53

* BASED ON A STRAIGHT PULL OF 600 LBS.

TRIPAC FIG. TP-310N STEEL SPOT INSERT NUT

SIZE RANGE-1/4" THRU 7/8" ROD

SERVICE-DESIGNED FOR USE IN FIG. TP-310 SPOT CONCRETE INSERT FOR MEANS OF ROD ATTACHMENT.

NOTE-OTHER MANUFACTURERS SPOT INSERTS ARE NOT NECESSARILY COMPATIBLE WITH TRIPAC FIG. TP-310N (SPOT INSERT NUTS). THEREFORE IT IS RECOMMENDED THAT TRIPAC FIG. TP-310 (SPOT INSERT) BE ORDERED CONCURRENTLY WITH FIG. 310N (SPOT INSERT NUTS).

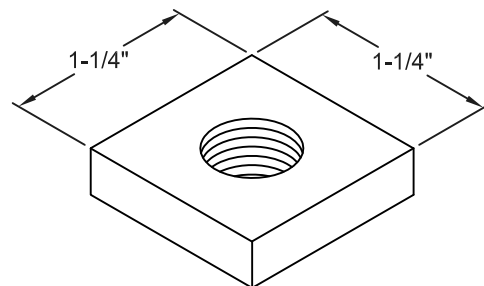
MATERIAL-CARBON STEEL

FINISHES-PLAIN, E.G.

DIMENSIONS & WEIGHTS

ROD SIZE	MAX. REC. LOAD LBS.*	APPROX. WT./100
1/4"	240	8
3/8"	600	13
1/2"	600	12
5/8"	600	11
3/4"	600	10
7/8"	600	9

* BASED ON A STRAIGHT PULL OF 600 LBS. WHEN USED WITH FIG. TP-310



TRIPAC

475 KLUIG CIRCLE • CORONA, CA 92880-6406
(951) 280-4488 • FAX: (951) 272-4445

65

A DIVISION OF TRIPAC MARKETING, INC.
WWW.TRIPACONLINE.COM

TRIPAC FIG. TP-330 WELDLESS STEEL EYE NUT

SIZE RANGE-3/8" THRU 2-1/2" MACHINE THREAD.

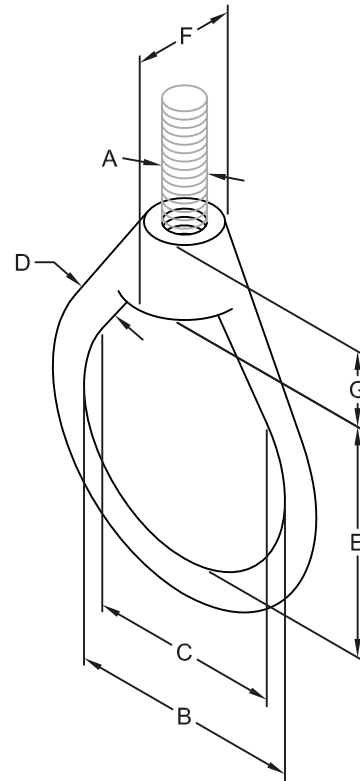
SERVICE-DESIGNED FOR USE ON PIPING INSTALLATIONS WHERE HIGH STRENGTH AND SWIVEL ACTION ARE REQUIRED. LEFT HAND TAP IS ALSO AVAILABLE.

THREADS-TAPPED UNC CLASS 2B. RIGHT HAND THREADS ARE STANDARD. LEFT HAND THREADS SUPPLIED UPON REQUEST.

MATERIAL-FORGED STEEL

FINISHES-PLAIN, ELECTRO-GALVANIZED, HDG

COMPLIES WITH FEDERAL SPECIFICATION WW-H-171-E (TYPE #17) AND MANUFACTURERS STANDARDIZATION SOCIETY MSS SP-69 (TYPE #17)



DIMENSIONS & WEIGHTS

ROD SIZE A	B	C	D	E	F	G	MAX. DESIGN LOAD LBS.		APPROX. WT./100
							650°F / 343°C	750°F / 399°C	
3/8"	1-1/2"	1-3/16"	1/2"	2"	1-3/8"	11/16"	610	540	63
1/2"	1-1/2"	1-3/16"	1/2"	2"	1-3/8"	11/16"	1130	1010	60
5/8"	1-1/2"	1-3/16"	1/2"	2"	1-3/8"	11/16"	1810	1610	59
3/4"	1-1/2"	1-3/16"	1/2"	2"	1-3/8"	11/16"	2710	2420	56
7/8"	2"	1-11/16"	3/4"	2-5/8"	1-15/16"	1"	3770	3360	170
1"	2"	1-11/16"	3/4"	2-5/8"	1-15/16"	1"	4960	4420	174
1-1/8"	2-1/2"	1-13/16"	1"	3-3/8"	2-3/8"	1-1/4"	6230	5560	373
1-1/4"	2-1/2"	1-13/16"	1"	3-3/8"	2-3/8"	1-1/4"	8000	7140	364
1-1/2"	2-1/2"	1-13/16"	1"	3-3/8"	2-3/8"	1-1/4"	11630	10370	345
1-3/4"	4"	4"	1-1/2"	6-1/4"	4"	2-1/4"	15700	14000	1657
2"	4"	4"	1-1/2"	6-1/4"	4"	2-1/4"	20700	18460	1614
2-1/4"	4"	4"	1-1/2"	6-1/4"	4"	2-1/4"	27200	24260	1562
2-1/2"	4"	4"	1-1/2"	6-1/4"	4"	2-1/4"	33500	29880	1506

TRIPAC

475 KLUIG CIRCLE • CORONA, CA 92880-6406
(951) 280-4488 • FAX: (951) 272-4445

TRIPAC FIG. TP-331 TURNBUCKLE

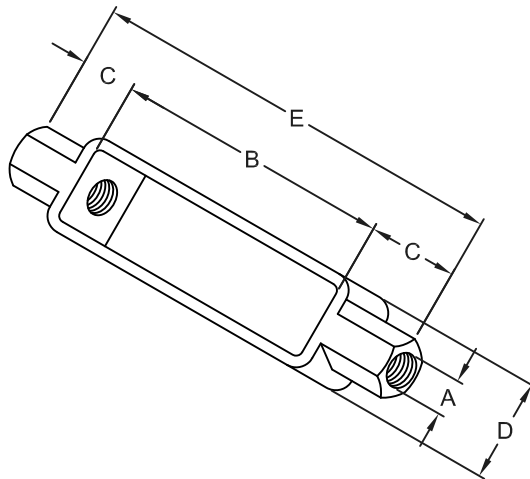
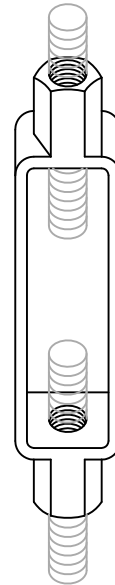
SIZE RANGE-3/8" THRU 2" MACHINE THREAD

SERVICE-DESIGNED FOR STANDARD TURNBUCKLE TAPPED RIGHT AND LEFT HAND WHICH PROVIDES 6" TAKE UP (3" ROD TAKE OUT).

MATERIAL-FORGED STEEL.

FINISHES-PLAIN ELECTRO-GALVANIZED, HDG

COMPLIES WITH FEDERAL SPECIFICATION WW-H-171E, (TYPE 13 3/8" THRU 1-1/2"), AND MANUFACTURERS STANDARDIZATION SOCIETY SP-69, (TYPE 13).



DIMENSIONS & WEIGHTS

ROD SIZE A	B	C	D	E	MAX. REC. LOAD LBS.	APPROX. WT./100
3/8"	6"	9/16"	7/8"	7-1/8"	610	42
1/2"	6"	3/4"	1-1/8"	7-1/2"	1130	65
5/8"	6"	15/16"	1-3/8"	7-7/8"	1810	98
3/4"	6"	1-1/8"	1-11/16"	8-1/4"	2270	145
7/8"	6"	1-5/16"	1-15/16"	8-5/8"	3770	185
1"	6"	1-1/2"	2-1/4"	9"	4960	260
1-1/8"	6"	1-9/16"	2-5/8"	9-1/8"	6230	406
1-1/4"	6"	1-9/16"	2-5/8"	9-1/8"	8000	400
1-1/2"	6"	1-7/8"	3"	9-3/4"	11630	615
1-3/4"	6"	2-3/16"	3-5/8"	10-3/8"	15690	980
2"	6"	2-1/2"	4-3/16"	11"	20690	1400

TRIPAC

475 KLUG CIRCLE • CORONA, CA 92880-6406
(951) 280-4488 • FAX: (951) 272-4445

TRIPAC FIG. TP-332 BRIDGE CLEVIS

SIZE RANGE-3/8" THRU 4" ROD

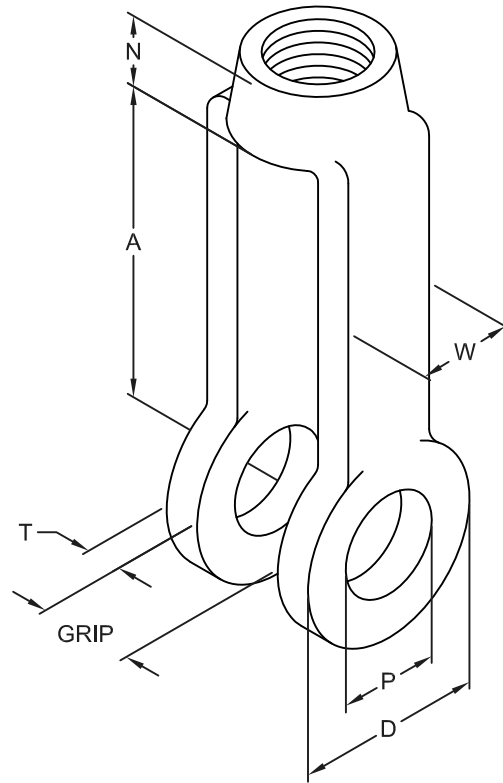
SERVICE-DESIGNED FOR USE ON HIGH TEMPERATURE PIPING INSTALLATIONS PROVIDING HANGER ROD ADJUSTABILITY.

FEATURES-COMPLIES FULLY WITH CODE FOR PRESSURE PIPING. SUPPORTS LOADS EQUAL TO THE FULL LIMITATION OF THE HANGER ROD. AVAILABLE WITH PIN AND COTTER PINS, IF REQUIRED.

MATERIAL-FORGED STEEL

FINISHES-PLAIN, ELECTRO-GALVANIZED, HDG

COMPLIES WITH FEDERAL SPECIFICATION WW-H-171E, (TYPE 14), AND MANUFACTURERS STANDARDIZATION SOCIETY SP-69, (TYPE 14).



DIMENSIONS & WEIGHTS

SIZE NO.	ROD TAP SIZE	A	D	N	PIN SIZE P	T	W	GRIP	MAX. REC. LOAD LBS. **		APPROX. WT. EACH	
									650°F / 343°C	750°F / 399°C	W/O PIN	W/PIN
2	3/8"	3-11/16"	1-7/16"	5/8"	1/2"	5/16"	1-1/16"	1/2"	610	540	.90	1.00
2	1/2"	3-11/16"	1-7/16"	5/8"	5/8"	5/16"	1-1/16"	1/2"	1130	1010	.70	.90
2	5/8"	3-11/16"	1-7/16"	5/8"	3/4"	5/16"	1-1/16"	5/8"	1810	1610	.70	.90
2-1/2	3/4"	5"	2"	7/8"	7/8"	3/8"	1-1/4"	3/4"	2710	2420	2.50	3.00
2-1/2	7/8"	5"	2"	7/8"	1"	3/8"	1-1/4"	7/8"	3770	3360	2.50	3.40
3	1"	5"	3"	1-5/16"	1-1/8"	1/2"	1-1/2"	1"	4960	4420	4.00	5.10
3	1-1/4"	5"	3"	1-5/16"	1-3/8"	1/2"	1-1/2"	1-1/4"	8000	7140	3.80	5.50
3-1/2	1-1/2"	6"	3-1/2"	1-5/8"	1-5/8"	1/2"	1-3/4"	1-1/2"	11630	10370	6.00	8.50
4	1-3/4"	6"	4"	1-3/4"	1-7/8"	1/2"	2"	1-1/2"	15700	14000	8.00	12.90
5	2"	7"	5"	2-1/4"	2-1/4"	5/8"	2-1/2"	2-1/2"	20700	18460	16.00	23.30
6	2-1/4"	8"	6"	2-3/4"	2-1/2"	3/4"	3"	2-1/2"	27200	24260	26.00	35.10
6	2-1/2"	8"	6"	2-3/4"	2-3/4"	3/4"	3"	2-1/2"	33500	29880	25.50	36.00
7	2-3/4"	9"	7"	3"	3"	7/8"	3-1/2"	2-1/2"	41580	37066	36.00	50.00
7	3"	9"	7"	3"	3-1/4"	7/8"	3-1/2"	2-1/2"	50580	45085	35.00	51.50
8	3-1/4" *	10"	8"	4"	3-1/2"	1-1/2"	4"	4"	60480	53906	90.00	116.00
8	3-1/2" *	10"	8"	4"	3-3/4"	1-1/2"	4"	4"	71280	63493	88.00	118.00
8	3-3/4" *	10"	8"	4"	4"	1-1/2"	4"	4"	82890	73855	86.00	120.00
8	4" *	10"	8"	4"	4-1/4"	1-1/2"	4"	4"	95400	85001	84.00	122.00

* FURNISHED WITH 8 UN SERIES THREADS.

** BASED ON THE ALLOWABLE STRESSES SHOWN IN THE ANSI CODE FOR PRESSURE PIPING.

TRIPAC

475 KLUG CIRCLE • CORONA, CA 92880-6406
(951) 280-4488 • FAX: (951) 272-4445

68

A DIVISION OF TRIPAC MARKETING, INC.

WWW.TRIPACONLINE.COM

TRIPAC FIG. TP-335 ADJUSTABLE SIDE BEAM CLAMP

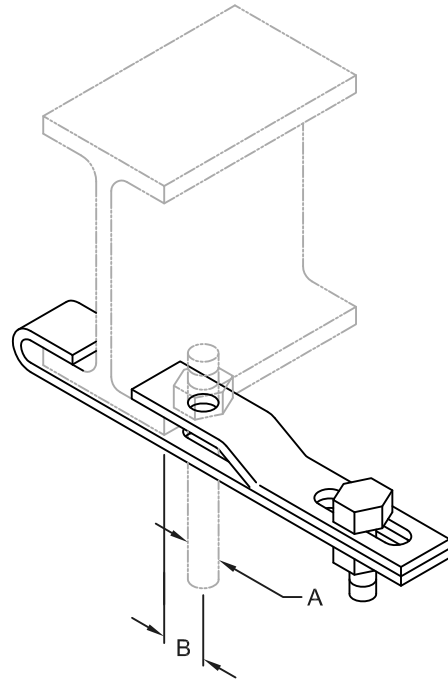
SIZE RANGE-2" THRU 12" FLANGE SIZE

SERVICE-DESIGNED FOR ATTACHMENT TO I-BEAMS AND WIDE FLANGE BEAMS WHERE IT IS DESIRABLE FOR THE ROD AND PIPE TO BE SUSPENDED FROM THE EDGE OF THE FLANGE.

MATERIAL-CARBON STEEL, T-304 AND T-316

FINISHES-PLAIN, ELECTRO-GALVANIZED, HDG

COMPLIES WITH FEDERAL SPECIFICATION WW-H-171E, (TYPE #53), AND MANUFACTURERS STANDARDIZATION SOCIETY SP-69 (TYPE #25).



DIMENSIONS & WEIGHTS

ROD SIZE A	B	FLANGE WIDTH	MAX. REC. LOAD LBS. *	APPROX. WT./100
3/8"	2-1/16"	3"-9"	300	20
1/2"	2-5/16"	3"-9"	500	40
5/8"	2-7/16"	3"-9"	700	44
3/4"	2-7/8"	3"-9"	800	65
7/8"	3"	3"-9"	1200	78

* WITH MINIMUM SAFETY FACTOR OF 5 AT MAXIMUM TEMPERATURE OF 450° F.

TRIPAC

475 KLUIG CIRCLE • CORONA, CA 92880-6406
(951) 280-4488 • FAX: (951) 272-4445

69

A DIVISION OF TRIPAC MARKETING, INC.
WWW.TRIPACONLINE.COM

TRIPAC FIG. TP-336 ADJUSTABLE BEAM CLAMP

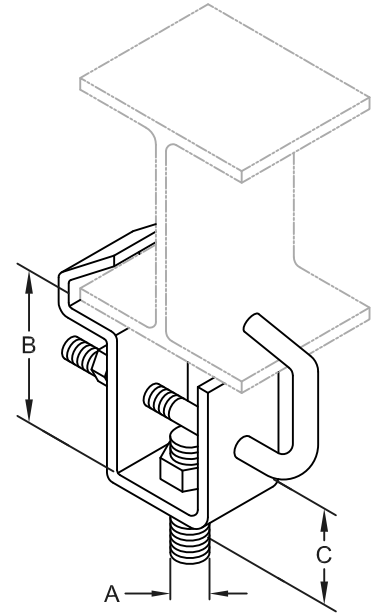
SIZE RANGE-3/8" THRU 5/8" ROD

SERVICE-FITS STRUCTURAL I-BEAMS AND WIDE FLANGE BEAMS, FLANGE WIDTHS 3-1/2" TO 8", THICKNESS UP TO 1/2".

MATERIAL-CARBON STEEL, T-304 AND T-316

FINISHES-PLAIN, ELECTRO-GALVANIZED, HDG

COMPLIES WITH FEDERAL SPECIFICATION WW-H-171E, (TYPE #54), AND MANUFACTURERS STANDARDIZATION SOCIETY SP-69 (TYPE #27).



DIMENSIONS & WEIGHTS

ROD SIZE A	B	C	MAX. REC. LOAD LBS.	APPROX. WT./100
3/8"	2-3/4"	1-1/16"	300	109
1/2"	2-3/4"	1"	700	167
5/8"	2-3/4"	1-5/16"	1000	223

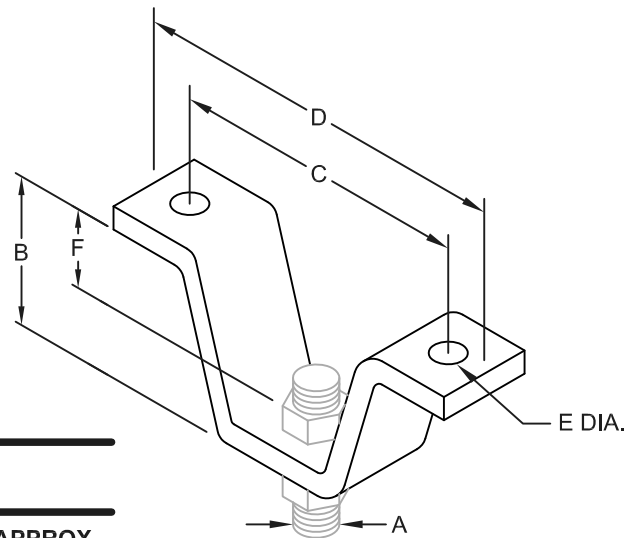
TRIPAC FIG. TP-337 ADJUSTABLE BEAM ATTACHMENT

SIZE RANGE-3/8" THRU 7/8" ROD

SERVICE-DESIGNED FOR ATTACHING HANGER ROD TO BOTTOM FLANGE OF BEAM OR CEILING ALLOWING FOR VERTICAL ADJUSTMENT WHERE REQUIRED.

MATERIAL-CARBON STEEL, T-304 AND T-316

FINISHES-PLAIN, ELECTRO-GALVANIZED



DIMENSIONS & WEIGHTS

ROD SIZE A	B	C	D	E DIA.	F	MAX. REC. LOAD LBS.	APPROX. WT./100
3/8"	2-3/4"	3-7/8"	4-7/8"	7/16"	2-1/8"	610	53
1/2"	3-1/8"	4-3/4"	6"	9/16"	2-5/16"	1130	129
5/8"	3-1/8"	4-3/4"	6"	9/16"	2-3/16"	1810	128
3/4"	3-11/16"	6-1/4"	7-3/4"	11/16"	2-9/16"	2710	196
7/8"	3-3/4"	6-3/8"	8-1/4"	13/16"	2-1/2"	3770	282

TRIPAC

475 KLUG CIRCLE • CORONA, CA 92880-6406
(951) 280-4488 • FAX: (951) 272-4445

70

A DIVISION OF TRIPAC MARKETING, INC.

WWW.TRIPACONLINE.COM

TRIPAC FIG. TP-343 WELDING LUG

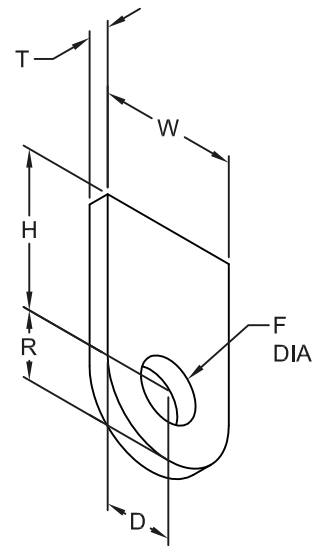
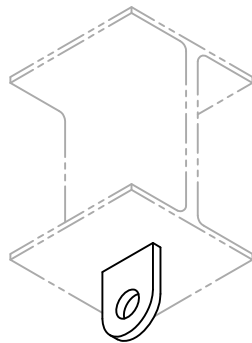
SIZE RANGE-SHORT LUG AVAILABLE FOR USE WITH 1/2" THRU 3-3/4" ROD. LONG LUG USED WITH 1/2" THRU 2" ROD.

SERVICE-DESIGNED FOR ATTACHMENT TO STRUCTURAL STEEL.

MATERIAL-CARBON STEEL, T-304 AND T-316

FINISHES-PLAIN, ELECTRO-GALVANIZED, HDG

COMPLIES WITH MANUFACTURERS STANDARDIZATION SOCIETY MSS SP-69, (TYPE #57).



DIMENSIONS & WEIGHTS

ROD SIZE	PIN	D	F	H		R	T	W	MAX. REC. LOAD LBS.	APPROX. WT./100	
				SHORT	LONG					SHORT	LONG
1/2"	5/8"	1"	11/16"	1-1/2"	3"	1"	1/4"	2"	1130	33	54
5/8"	3/4"	1"	13/16"	1-1/2"	3"	1"	1/4"	2"	1810	32	53
3/4"	7/8"	1-1/4"	15/16"	1-1/2"	3"	1-1/4"	3/8"	2-1/2"	2710	64	104
7/8"	1"	1-1/4"	1-1/8"	2"	3"	1-1/4"	3/8"	2-1/2"	3770	74	101
1"	1-1/8"	1-1/2"	1-1/4"	2"	3"	1-1/2"	1/2"	3"	4960	121	164
1-1/8"	1-1/4"	1-1/2"	1-3/8"	3"	4"	1-1/2"	1/2"	3"	6230	160	203
1-1/4"	1-1/2"	2"	1-5/8"	3"	4"	2"	5/8"	4"	8000	288	359
1-1/2"	1-3/4"	2-1/2"	1-7/8"	3"	4-1/2"	2-1/2"	3/4"	5"	11630	469	629
1-3/4"	2"	2-1/2"	2-1/8"	3"	4-1/2"	2-1/2"	3/4"	5"	15700	453	613
2"	2-1/4"	3"	2-3/8"	4"	4-1/2"	3"	3/4"	6"	20630	718	782
2-1/4"	2-1/2"	3"	2-5/8"	4-1/2"	--	3"	3/4"	6"	23000	761	--
2-1/2"	2-3/4"	4"	2-7/8"	4-1/2"	--	4"	1"	8"	30550	1552	--
2-3/4"	3"	4"	3-1/8"	4-1/2"	--	4"	1"	8"	41600	1518	--
3"	3-1/4"	4"	3-3/8"	5"	--	4"	1"	8"	50500	1596	--
3-1/4"	3-1/2"	4-1/2"	3-5/8"	5"	--	4-1/2"	1"	9"	60500	1888	--
3-1/2"	3-3/4"	4-1/2"	3-7/8"	6"	--	4-1/2"	1-1/2"	9"	71300	3153	--
3-3/4"	4"	4-1/2"	4-1/8"	6"	--	4-1/2"	1-3/4"	9"	82900	3601	--



TRIPAC FIG. TP-405 ANCHOR HOLD DOWN CLAMP

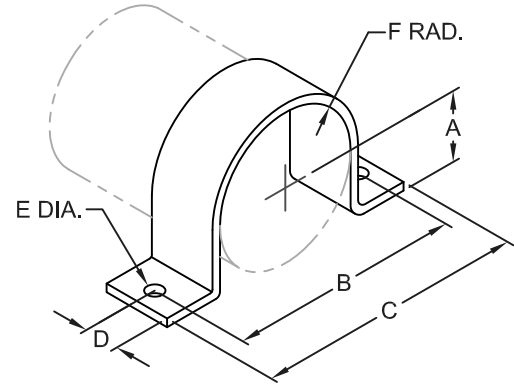
SIZE RANGE-2" THRU 30" PIPE

SERVICE-DESIGNED FOR USE WHERE PIPE IS ANCHORED TO CONCRETE PIERS OR OTHER SUPPORTS. BACK WELDING CLAMP TO PIPE IS RECOMMENDED AFTER INSTALLATION. FIG TP-406 BASE PLATE IS RECOMMENDED FOR USE ON ROUGH OR UNEVEN SURFACES.

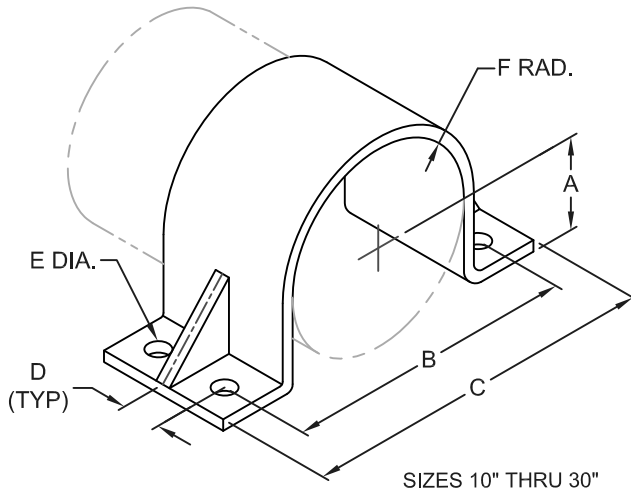
MATERIAL-CARBON STEEL, T-304 AND T-316

FINISHES-PLAIN, ELECTRO-GALVANIZED, HDG

MAXIMUM TEMPERATURE-650°F / 343°C



SIZES 2" THRU 8"



SIZES 10" THRU 30"

DIMENSIONS & WEIGHTS

PIPE SIZE	A	B	C	D	HOLE SIZE E	F	APPROX. WT./100
2"	15/16"	5-3/8"	7-5/8"	1-1/2"	7/8"	1-3/16"	306
2-1/2"	1-3/16"	5-7/8"	8-1/8"	1-1/2"	7/8"	1-7/16"	348
3"	1-1/2"	6-1/2"	8-3/4"	1-1/2"	7/8"	1-3/4"	409
3-1/2"	1-3/4"	7"	9-1/4"	1-1/2"	7/8"	2"	449
4"	2"	7-1/2"	9-3/4"	1-1/2"	7/8"	2-1/4"	491
5"	2-9/16"	8-9/16"	10-13/16"	1-1/2"	7/8"	2-13/16"	581
6"	3-1/16"	10-5/8"	13-5/8"	3"	1"	3-5/16"	1818
8"	4-1/16"	12-5/8"	15-5/8"	3"	1"	4-5/16"	2400
10"	5-1/8"	15-1/4"	18-3/4"	2-1/2"	1-1/8"	5-3/8"	3786
12"	6-1/8"	17-1/4"	20-3/4"	2-1/2"	1-1/8"	6-3/8"	4546
14"	6-3/4"	18-1/2"	22"	3"	1-1/8"	7"	6800
16"	7-3/4"	20-1/2"	24"	3"	1-1/8"	8"	7600
18"	8-3/4"	22-1/2"	26"	3-1/2"	1-1/8"	9"	10800
20"	9-3/4"	24-1/2"	28"	3-1/2"	1-1/8"	10"	12000
24"	11-3/4"	28-1/2"	32"	3-1/2"	1-1/8"	12"	13900
30"	14-3/4"	34-1/2"	38"	3-1/2"	1-1/8"	15"	16200

TRIPAC

475 KLUG CIRCLE • CORONA, CA 92880-6406
(951) 280-4488 • FAX: (951) 272-4445

72

A DIVISION OF TRIPAC MARKETING, INC.

WWW.TRIPACONLINE.COM

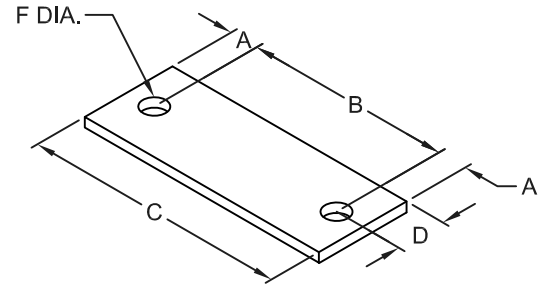
TRIPAC FIG. TP-406 ANCHOR BASE PLATE

SIZE RANGE-2" THRU 30" PIPE

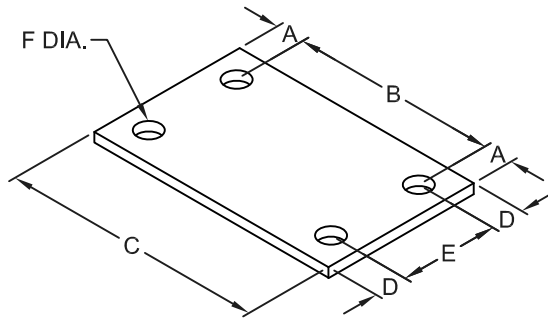
SERVICE-PROVIDES A SMOOTH AND EVEN BEARING SURFACE ON WHICH TO PLACE PIPE. CAN ALSO BE USED TO LOCATE AND SET ANCHOR BOLTS.

MATERIAL-CARBON STEEL, T-304 AND T-316

FINISHES-PLAIN, ELECTRO-GALVANIZED, HDG



SIZES 2" THRU 8"



SIZES 10" THRU 30"

DIMENSIONS & WEIGHTS

PIPE SIZE	A	B	C	D	E	HOLE SIZE F	APPROX. WT./100
2"	1-1/8"	5-3/8"	7-5/8"	1-1/2"	--	7/8"	230
2-1/2"	1-1/8"	5-7/8"	8-1/8"	1-1/2"	--	7/8"	246
3"	1-1/8"	6-1/2"	8-3/4"	1-1/2"	--	7/8"	266
3-1/2"	1-1/8"	7"	9-1/4"	1-1/2"	--	7/8"	281
4"	1-1/8"	7-1/2"	9-3/4"	1-1/2"	--	7/8"	297
5"	1-1/8"	8-9/16"	10-13/16"	1-1/2"	--	7/8"	331
6"	1-1/2"	10-5/8"	13-5/8"	3"	--	1"	1131
8"	1-1/2"	12-5/8"	15-5/8"	3"	--	1"	1300
10"	1-3/4"	15-1/4"	18-3/4"	1-1/2"	5"	1-1/8"	2059
12"	1-3/4"	17-1/4"	20-3/4"	1-1/2"	5"	1-1/8"	2285
14"	1-3/4"	18-1/2"	22"	2"	6"	1-1/8"	3046
16"	1-3/4"	20-1/2"	24"	2"	6"	1-1/8"	3328
18"	1-3/4"	22-1/2"	26"	2-1/2"	7"	1-1/8"	4343
20"	1-3/4"	24-1/2"	28"	2-1/2"	7"	1-1/8"	4682
24"	1-3/4"	28-1/2"	32"	2-1/2"	7"	1-1/8"	5358
30"	1-3/4"	34-1/2"	38"	2-1/2"	7"	1-1/8"	6374

TRIPAC

475 KLUG CIRCLE • CORONA, CA 92880-6406
(951) 280-4488 • FAX: (951) 272-4445

TRIPAC FIG. TP-420 PIPE ALIGNMENT GUIDE-LONG TRAVERSE TRIPAC FIG. TP-421 ALIGNMENT GUIDE-INTERMEDIATE TRAVERSE

SIZE RANGE-(FIG. 420 AND FIG. 421) 3/4" THRU 24" PIPE

SERVICE-DESIGNED TO MAINTAIN ALIGNMENT OF PIPING THROUGH ITS AXIAL EXPANSION AND CONTRACTION CYCLES. NORMALLY, TWO OR MORE PIPE ALIGNMENT GUIDES ARE USED ON A SINGLE PIPING RUN TO AVOID A PIVOTING EFFECT WITHIN THE PIPING SYSTEM. IT IS RECOMMENDED THAT THE FIRST GUIDE SHOULD BE LOCATED A MAXIMUM OF FOUR PIPE DIAMETERS FROM AN EXPANSION JOINT. ADDITIONAL GUIDES SHOULD BE EMPLOYED IN ACCORDANCE WITH THE GUIDE SPACING DATA SHOWN BELOW. ADDITIONAL SUPPORTS ARE USUALLY REQUIRED BETWEEN THE INTERMEDIATE GUIDES TO COMPLY WITH THE STANDARD SUPPORT PRACTICE.

INSTALLATION-BASE IS SET TO ELEVATION AND WELDED OR BOLTED TO A SUPPORTING STRUCTURE. WITH THE UPPER HALF REMOVED, THE PIPE OR TUBE WITH SPIDER ATTACHED IS SET INTO THE BASE AND COMPLETELY INSULATED. THE UPPER HALF IS THEN BOLTED INTO PLACE TO COMPLETE THE GUIDE.

MAXIMUM TEMPERATURE-650°F / 343°C

MATERIAL-CARBON STEEL

FINISHES-CASING AND SPIDER- ONE SHOP COAT PAINT. BOLTS AND NUTS-ELECTRO GALVANIZED. ALSO AVAILABLE IN HDG FINISH.

NOTE-SPIDER ATTACHMENTS TO PIPE OR TUBE MUST BE PROPERLY LOCATED DURING INSTALLATION TO INSURE THAT A MINIMUM OF ONE-HALF OF THE SPIDER WIDTH REMAINS WITHIN THE LENGTH OF THE CASING FOR ALL CONDITIONS OF OPERATION. SEE TABLE FOR MAXIMUM RECOMMENDED TRAVELS. IF LARGER TRAVELS ARE REQUIRED, SPECIAL GUIDES CAN BE FURNISHED TO SPECIAL ORDER. GUIDE CASINGS CAN BE ROTATED IN MANUFACTURING TO DECREASE PIPE CENTERLINES.

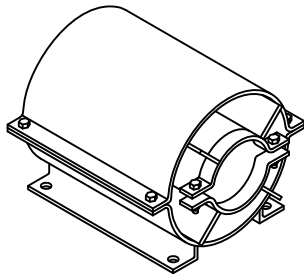


FIG. 420

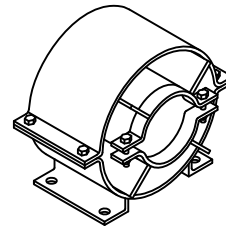


FIG. 421

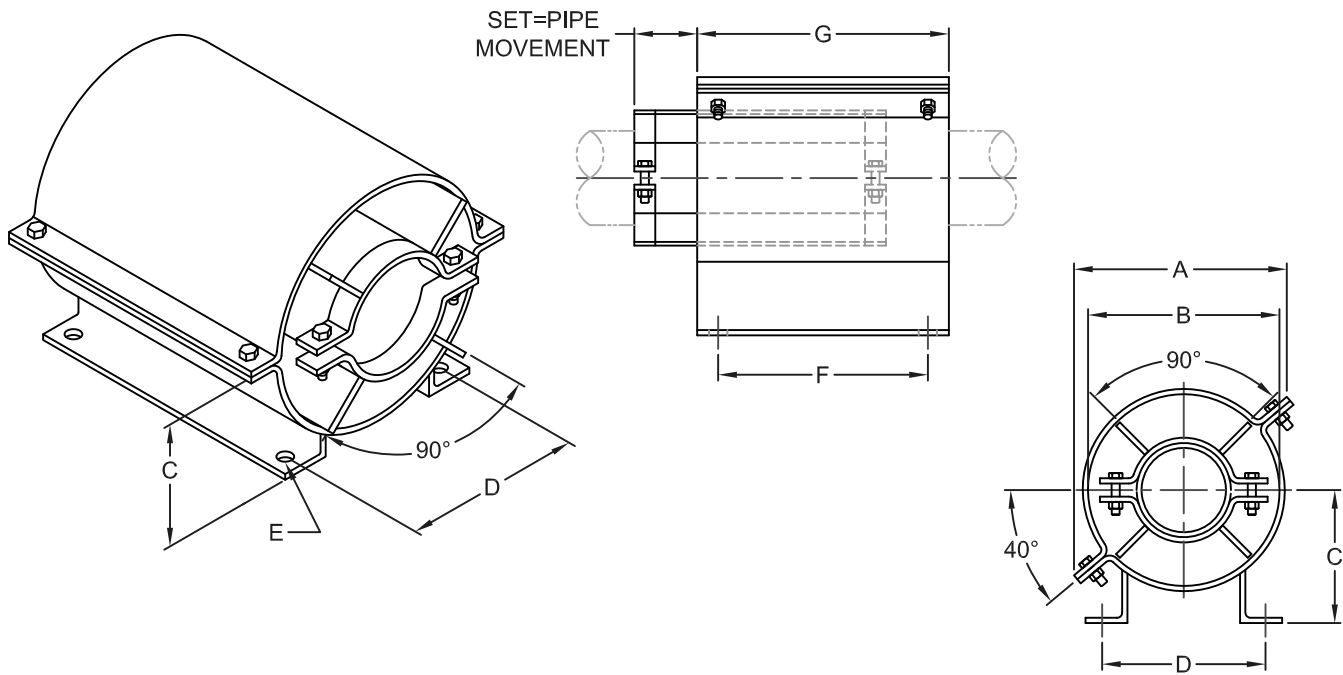
RECOMMENDED EXPANSION JOINT GUIDE SPACING

PIPE SIZE	MAXIMUM DISTANCE (FEET) BETWEEN INTERMEDIATE GUIDES FOR PRESSURE (PSIG)									
	50	100	150	200	250	300	350	400	500	600
2"	38	27	22	20	18	17	15	14	13	12
2-1/2"	52	37	32	27	25	23	22	19	17	16
3"	66	47	40	35	31	28	27	25	23	20
3-1/2"	85	62	51	45	40	36	35	32	29	27
4"	103	75	62	54	50	45	42	40	35	32
5"	118	85	70	60	55	50	46	43	40	35
6"	120	87	72	62	57	52	48	45	41	37
8"	130	95	78	68	61	57	52	49	45	41
10"	145	105	87	75	68	62	58	55	50	45
12"	155	110	92	80	73	68	62	58	53	49
14"	180	128	105	90	83	75	70	65	60	54

TRIPAC

475 KLUG CIRCLE • CORONA, CA 92880-6406
(951) 280-4488 • FAX: (951) 272-4445

TRIPAC FIG. TP-420 PIPE ALIGNMENT GUIDE-LONG TRAVERSE



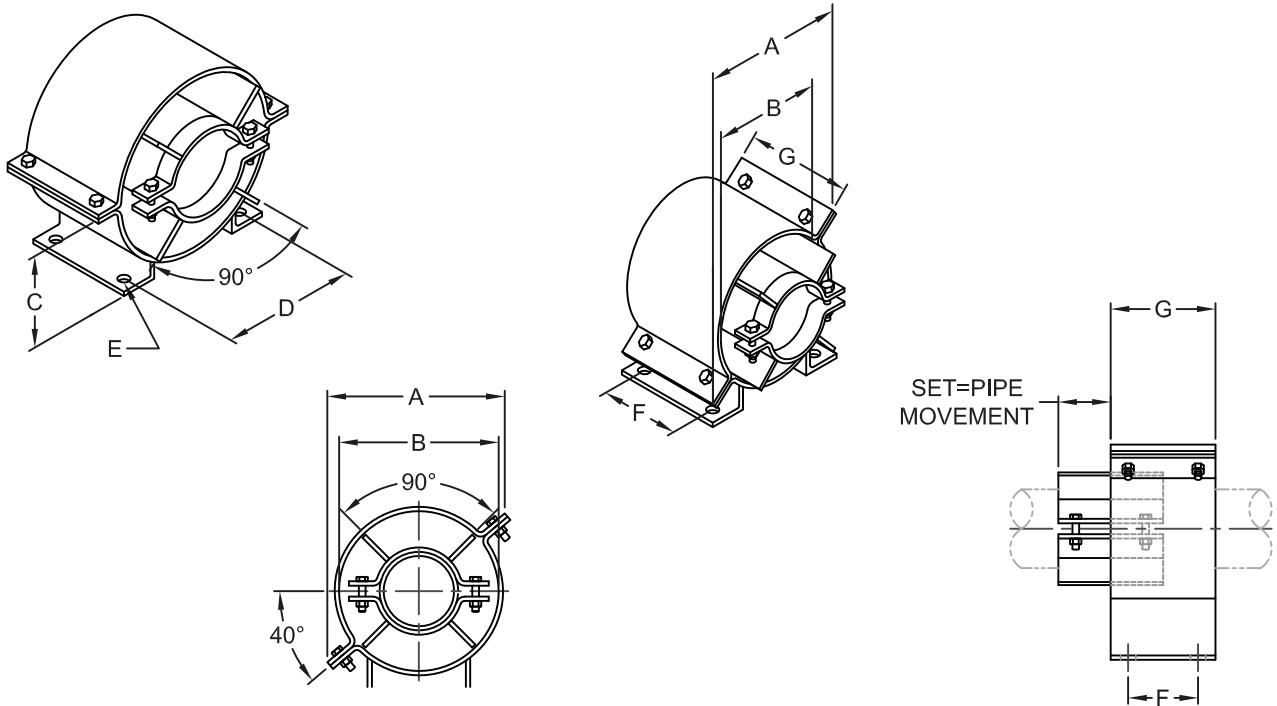
DIMENSIONS & WEIGHTS

PIPE SIZE	A	B	C	D	HOLE SIZE E	F	G	MAX. INSUL. THICKNESS	APPROX. WT./100
3/4"	8-5/16"	4-13/16"	4"	5-3/4"	5/8"	5"	12"	1-11/16"	2430
1"	8-5/16"	4-13/16"	4"	5-3/4"	5/8"	5"	12"	1-9/16"	2890
1-1/4"	8-5/16"	4-13/16"	5"	5-3/4"	5/8"	5"	12"	1-3/8"	3261
1-1/2"	9-1/4"	5-3/4"	5"	6"	5/8"	5"	12"	1-13/16"	3257
2"	11-1/4"	7-9/16"	6"	6-5/8"	7/8"	5"	12"	2-3/8"	4017
2-1/2"	11-1/4"	7-9/16"	6"	6-5/8"	7/8"	5"	12"	2-1/8"	4050
3"	11-1/4"	7-9/16"	6"	6-5/8"	7/8"	5"	12"	1-3/4"	4200
3-1/2"	13-1/4"	9-1/8"	7-1/2"	8-1/8"	7/8"	5"	12"	2-5/16"	4483
4"	13-1/4"	9-1/8"	7-1/2"	8-1/8"	7/8"	5"	12"	2-1/16"	4491
5"	15-3/4"	11-1/2"	8-1/2"	9-3/8"	7/8"	5"	12"	2-11/16"	5771
6"	15-3/4"	11-1/2"	8-1/2"	9-3/8"	7/8"	5"	12"	2-3/16"	7045
8"	19-5/16"	15"	10"	12-7/16"	7/8"	5"	12"	2-15/16"	7495
10"	21-3/4"	17-3/8"	11"	13-11/16"	1-1/8"	5"	12"	2-15/16"	9045
12"	23-7/8"	19-3/8"	12"	14-1/4"	1-1/8"	5"	12"	2-15/16"	9901
14"	27"	20-5/8"	13"	15-3/4"	1-1/8"	5"	12"	2-15/16"	10614
16"	29"	22-5/8"	14"	17-1/16"	1-1/8"	5"	12"	2-15/16"	12298
18"	31-1/4"	25-1/4"	15"	18-5/8"	1-1/8"	5"	12"	3-1/4"	13393
20"	33-5/8"	27-1/4"	16"	19-3/8"	1-1/8"	5"	12"	3-1/4"	14062
24"	36-5/8"	31-1/4"	17"	23-11/16"	1-1/8"	5"	12"	3-1/4"	15406

TRIPAC

475 KLUK CIRCLE • CORONA, CA 92880-6406
 (951) 280-4488 • FAX: (951) 272-4445

TRIPAC FIG. TP-421 PIPE ALIGNMENT GUIDE INTERMEDIATE TRAVERSE



DIMENSIONS & WEIGHTS

PIPE SIZE	A	B	C	D	HOLE SIZE E	F	G	MAX. INSUL. THICKNESS	APPROX. WT./100
3/4"	8-5/16"	4-13/16"	4"	5-3/4"	5/8"	2"	4"	1-11/16"	1083
1"	8-5/16"	4-13/16"	4"	5-3/4"	5/8"	2"	4"	1-9/16"	1090
1-1/4"	8-5/16"	4-13/16"	5"	5-3/4"	5/8"	2"	4"	1-3/8"	1213
1-1/2"	9-1/4"	5-3/4"	5"	6"	5/8"	2"	4"	1-13/16"	1245
2"	11-1/4"	7-9/16"	6"	6-5/8"	7/8"	2"	4"	2-3/8"	1507
2-1/2"	11-1/4"	7-9/16"	6"	6-5/8"	7/8"	2"	4"	2-1/8"	1509
3"	11-1/4"	7-9/16"	6"	6-5/8"	7/8"	2"	4"	1-3/4"	1510
3-1/2"	13-1/4"	9-1/8"	7-1/2"	8-1/8"	7/8"	4"	6"	2-5/16"	2443
4"	13-1/4"	9-1/8"	7-1/2"	8-1/8"	7/8"	4"	6"	2-1/16"	2494
5"	15-3/4"	11-1/2"	8-1/2"	9-3/8"	7/8"	5"	8"	2-11/16"	4122
6"	15-3/4"	11-1/2"	8-1/2"	9-3/8"	7/8"	5"	8"	2-3/16"	5055
8"	19-5/16"	15"	10"	12-7/16"	7/8"	5"	8"	2-15/16"	5414
10"	21-3/4"	17-3/8"	11"	13-11/16"	1-1/8"	5"	8"	2-15/16"	6673
12"	23-7/8"	19-3/8"	12"	14-1/4"	1-1/8"	5"	8"	2-15/16"	7290
14"	27"	20-5/8"	13"	15-3/4"	1-1/8"	5"	8"	2-15/16"	7818
16"	29"	22-5/8"	14"	17-1/16"	1-1/8"	5"	8"	2-15/16"	9130
18"	31-1/4"	25-1/4"	15"	18-5/8"	1-1/8"	5"	8"	3-1/4"	9924
20"	33-5/8"	27-1/4"	16"	19-3/8"	1-1/8"	5"	8"	3-1/4"	10434
24"	36-5/8"	31-1/4"	17"	23-11/16"	1-1/8"	5"	8"	3-1/4"	11464

TRIPAC

475 KLUK CIRCLE • CORONA, CA 92880-6406
(951) 280-4488 • FAX: (951) 272-4445

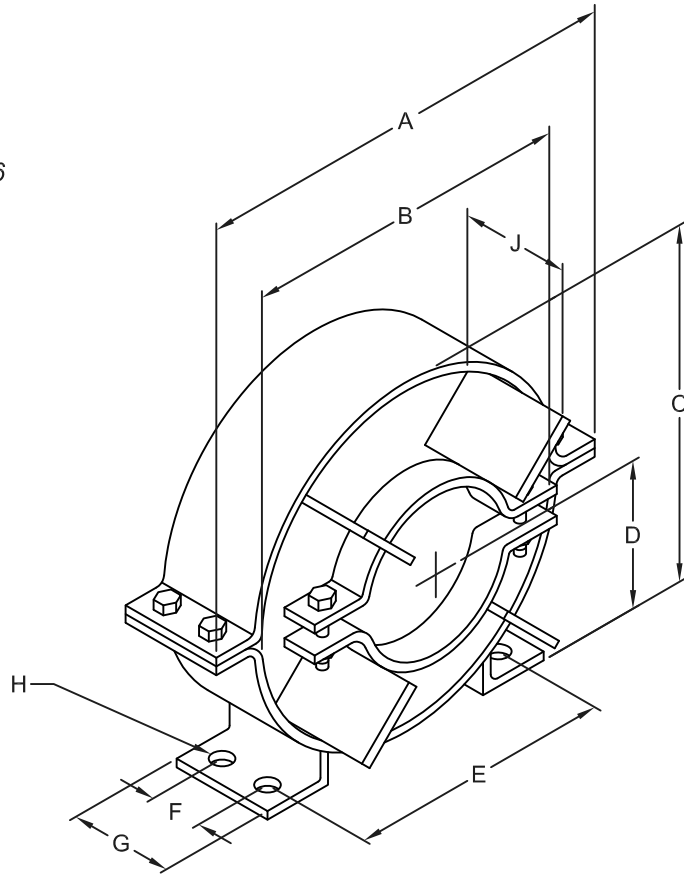
TRIPAC FIG. TP-422 LIGHT WEIGHT PIPE ALIGNMENT GUIDE

SIZE RANGE-3/4" THRU 8" PIPE

SERVICE-DESIGNED FOR MAINTAINING ALIGNMENT OF PIPING THROUGH ITS AXIAL EXPANSION AND CONTRACTION CYCLES.

MATERIAL-CARBON STEEL, T-304 AND T-316

FINISHES-PLAIN, ELECTRO-GALVANIZED, HDG



DIMENSIONS & WEIGHTS

PIPE SIZE	A	B	C	D	E	F	G	HOLE SIZE H	MAX. INSUL. THICKNESS	APPROX. WT./100
3/4"	6-5/8"	4-3/8"	5-5/16"	3-1/8"	5"	1-1/2"	3"	5/8"	1-5/8"	400
1"	8-1/2"	6-1/4"	5-5/8"	3-1/2"	6-1/4"	1-1/2"	3"	5/8"	1-5/8"	400
1-1/4"	8-1/2"	6-1/4"	5-5/8"	3-1/2"	6-1/4"	1-1/2"	3"	5/8"	1-5/8"	630
1-1/2"	8-1/2"	6-1/4"	5-5/8"	3-1/2"	6-1/4"	1-1/2"	3"	5/8"	1-5/8"	630
2"	8-1/2"	6-1/4"	5-5/8"	3-1/2"	6-1/4"	1-1/2"	3"	5/8"	1-5/8"	630
2-1/2"	9-1/2"	7-1/4"	7-5/8"	4"	6-3/4"	1-1/2"	3"	5/8"	2-1/8"	760
3"	11-3/4"	9-1/2"	9-3/4"	5"	7-3/8"	1-1/2"	3"	5/8"	2-1/8"	1260
3-1/2"	11-3/4"	9-1/2"	9-3/4"	5"	7-3/8"	1-1/2"	3"	5/8"	2-1/8"	1260
4"	11-3/4"	9-1/2"	9-3/4"	5"	7-3/8"	1-1/2"	3"	5/8"	2-1/8"	1260
5"	13-5/8"	10-5/8"	11-9/16"	6-1/4"	7-3/8"	2"	4"	5/8"	2-1/8"	1260
6"	15-5/8"	12-5/8"	13-9/16"	7-1/4"	8"	2"	4"	5/8"	2-5/8"	1920
8"	18-1/4"	15-1/4"	16-1/8"	8-1/2"	9-3/4"	2"	4"	3/4"	2-5/8"	2860

SIZE	J	MAX. MOVEMENT
1" - 4"	4"	4"
5" - 8"	6"	6"

TRIPAC

475 KLUG CIRCLE • CORONA, CA 92880-6406
(951) 280-4488 • FAX: (951) 272-4445

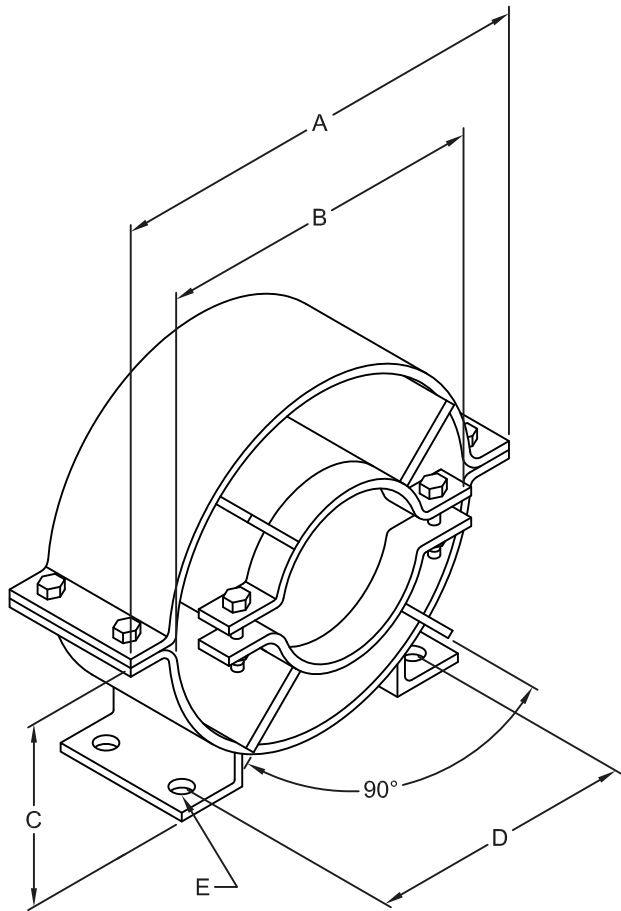
TRIPAC FIG. TP-422C COPPER TUBING LIGHT WEIGHT PIPE ALIGNMENT GUIDE

SIZE RANGE-3/4" THRU 6" PIPE

SERVICE-DESIGNED FOR MAINTAINING ALIGNMENT OF PIPING THROUGH ITS AXIAL EXPANSION AND CONTRACTION CYCLES.

MATERIAL-CARBON STEEL

FINISHES-SURFACES COATED WITH A PROTECTIVE BLACK ENAMEL PAINT.



DIMENSIONS & WEIGHTS

PIPE SIZE	ACTUAL TUBE O.D.	A	B	C	D	HOLE SIZE E	MAX. INSUL. THICKNESS	APPROX. WT./100
3/4"	7/8"	6-5/8"	4-3/8"	3-1/8"	5"	5/8"	1-5/8"	400
1"	1-1/8"	6-5/8"	4-3/8"	3-1/8"	5"	5/8"	1-5/8"	400
1-1/4"	1-3/8"	8-1/2"	6-1/4"	3-1/2"	6-1/4"	5/8"	1-5/8"	630
1-1/2"	1-5/8"	8-1/2"	6-1/4"	3-1/2"	6-1/4"	5/8"	1-5/8"	630
2"	2-1/8"	8-1/2"	6-1/4"	3-1/2"	6-1/4"	5/8"	1-5/8"	630
2-1/2"	2-5/8"	9-1/2"	7-1/4"	4"	6-3/4"	5/8"	2-1/8"	760
3"	3-1/8"	11-3/4"	9-1/2"	5"	7-3/8"	5/8"	2-1/8"	1260
3-1/2"	3-5/8"	11-3/4"	9-1/2"	5"	7-3/8"	5/8"	2-1/8"	1260
4"	4-1/8"	11-3/4"	9-1/2"	5"	7-3/8"	5/8"	2-1/8"	1260
5"	5-1/8"	11-3/4"	9-1/2"	5"	7-3/8"	5/8"	2-1/8"	1260
6"	6-1/8"	13-5/8"	10-5/8"	6-1/4"	7-3/8"	5/8"	2-1/8"	1920

TRIPAC

475 KLUG CIRCLE • CORONA, CA 92880-6406
(951) 280-4488 • FAX: (951) 272-4445

TRIPAC FIG. TP-426 T-PIPE SLIDE PTFE TRIPAC FIG. TP-426G T-PIPE SLIDE PTFE WITH GUSSETS TRIPAC FIG. TP-426C T-PIPE SLIDE PTFE WITH CLAMPS

SIZE RANGE-1" THRU 36" PIPE

SERVICE-ECONOMICAL SLIDING SUPPORT FOR ALL PIPE SIZES SUBJECT TO MOVEMENT IN TWO PLANES. DESIGNED FOR MINIMUM HEAT LOSS TRANSMISSION THROUGH THE SHOE. CAN BE WELDED OR CLAMPED TO THE PIPE.

MATERIAL-CARBON STEEL AND PTFE

FINISHES-PLAIN, ELECTRO-GALVANIZED, HDG, OR STAINLESS STEEL MATERIALS

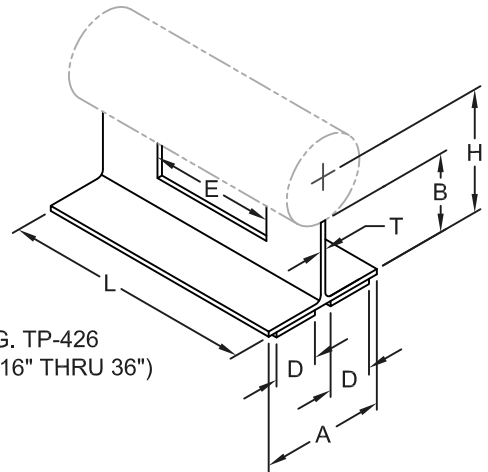


FIG. TP-426
(SIZES 16" THRU 36")

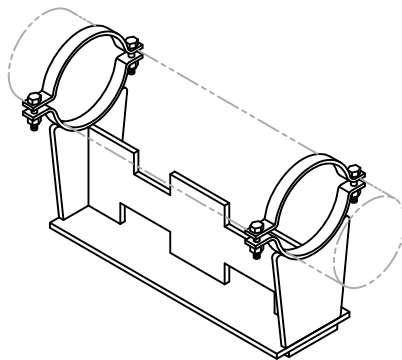
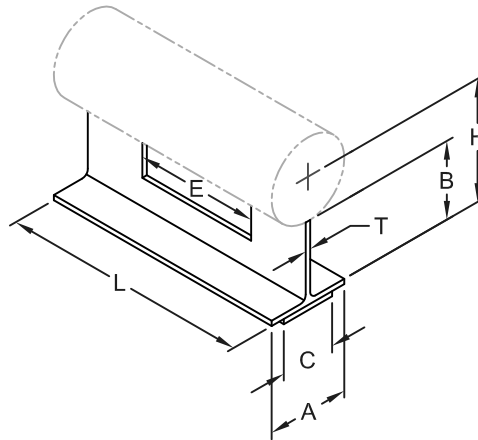


FIG. TP-426C

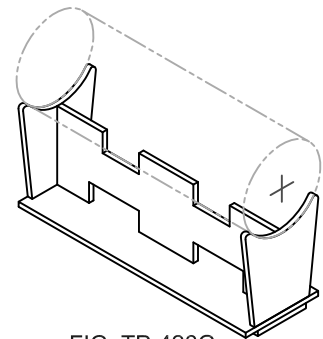


FIG. TP-426G

TYPE 1 (2" INSULATION) MAX. 4" TRAVEL

PIPE SIZE	A	B	C	D	E	L	T	MAX. LOAD*	APPROX. WT./EACH
1"-4"	2-1/2"	2-3/4"	1-1/2"	-	3"	6"	1/4"	6000	2
5"-8"	3"	3-1/4"	2"	-	3"	6"	5/16"	8000	3
10"-14"	4"	3-1/4"	3"	-	3"	6"	1/4"	12000	3
16"-20"	6"	3-1/4"	-	2"	3"	6"	1/4"	16000	5
24"-30"	6"	3-1/4"	-	2"	3"	6"	1/4"	16000	5

* BASED ON USING 2" WIDE PTFE SLIDE PLATE @ 70°F TEMPERATURE



TRIPAC FIG. TP-426 T-PIPE SLIDE PTFE
TRIPAC FIG. TP-426G T-PIPE SLIDE PTFE WITH GUSSETS
TRIPAC FIG. TP-426C T-PIPE SLIDE PTFE WITH CLAMPS

TYPE 2 (3" INSULATION) MAX. 6" TRAVEL

PIPE SIZE	A	B	C	D	E	L	T	MAX. LOAD*	APPROX. WT./EACH
1"-4"	2-1/2"	4-1/4"	1-1/2"	-	4"	9"	3/16"	6000	4
5"-8"	4"	4-1/4"	2-1/2"	-	4"	9"	1/4"	10000	5
10"-14"	4"	4-1/4"	3"	-	4"	9"	1/4"	12000	6
16"-20"	6-1/2"	4-1/4"	-	2"	4"	9"	1/4"	16000	10
24"-30"	6-1/2"	4-1/4"	-	2"	4"	9"	1/4"	16000	10
36"	8"	4-1/4"	-	2"	4"	9"	5/16"	16000	13

H DIMENSIONS

PIPE SIZE	TYPE 1	TYPE 2	TYPE 3
1"	3-3/8"	4-7/8"	5-7/8"
1-1/4"	3-9/16"	5-1/16"	6-1/16"
1-1/2"	3-11/16"	5-3/16"	6-3/16"
2"	3-15/16"	5-7/16"	6-7/16"
2-1/2"	4-3/16"	5-11/16"	6-11/16"
3"	4-1/2"	6"	7"
3-1/2"	4-3/4"	6-1/4"	7-1/4"
4"	5"	6-1/2"	7-1/2"
5"	6"	7"	8"
6"	6-9/16"	7-9/16"	8-9/16"
8"	7-9/16"	8-9/16"	9-9/16"
10"	8-5/8"	9-5/8"	10-5/8"
12"	9-5/8"	10-5/8"	11-5/8"
14"	10-1/4"	11-1/4"	12-1/4"
16"	11-1/4"	12-1/4"	14-1/4"
18"	12-1/4"	13-1/4"	15-1/4"
20"	13-1/4"	14-1/4"	16-1/4"
24"	15-1/4"	16-1/4"	18-1/4"
30"	18-1/4"	19-1/4"	21-1/4"
36"	-	22-1/4"	24-1/4"

TYPE 3 (4" INSULATION) MAX. 9" TRAVEL

PIPE SIZE	A	B	C	D	E	L	T	MAX. LOAD*	APPROX. WT./EACH
1"-4"	2-11/16"	5-1/4"	1-1/2"	-	6"	12"	3/16"	6000	5
5"-8"	4"	5-1/4"	2-1/2"	-	6"	12"	1/4"	10000	8
10"-14"	4"	5-1/4"	3"	-	6"	12"	1/4"	12000	8
16"-20"	6-1/2"	6-1/4"	-	2"	6"	12"	1/4"	16000	15
24"-30"	6-1/2"	6-1/4"	-	2"	6"	12"	1/4"	16000	15
36"	8"	6-1/4"	-	2"	6"	12"	5/16"	16000	21

* BASED ON USING 2" WIDE PTFE SLIDE PLATE @ 70°F TEMPERATURE



TRIPAC FIG. TP-426A T-PIPE ANCHOR

TRIPAC FIG. TP-426AG T-PIPE ANCHOR WITH GUSSETS

TRIPAC FIG. TP-426AC T-PIPE ANCHOR WITH CLAMPS

SIZE RANGE-1" THRU 24" PIPE

SERVICE-DESIGNED TO ANCHOR PIPE AND RESTRICT PIPE MOVEMENT IN EVERY DIRECTION. THE PIPE IS NORMALLY WELDED DIRECTLY TO THE ANCHOR AND THE ANCHOR CHAIR IS EITHER BOLTED OR WELDED TO THE SUPPORTING STEEL STRUCTURE.

MATERIAL-CARBON STEEL, T-304 AND T-316

FINISHES-PLAIN, ELECTRO-GALVANIZED, HDG

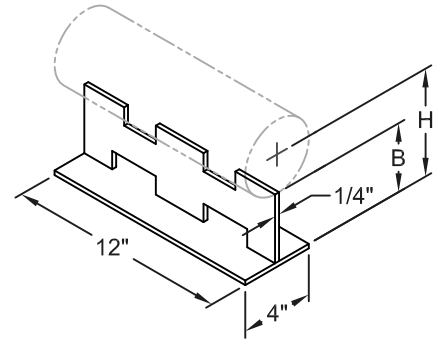


FIG. TP-426A

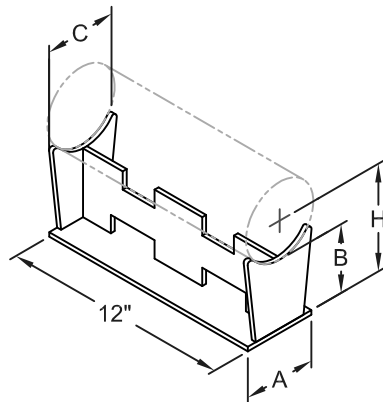


FIG. TP-426AG

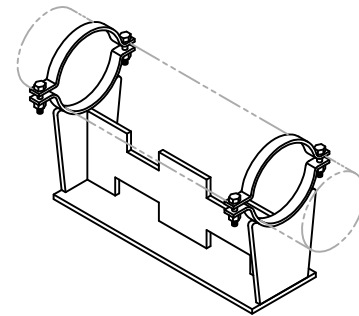


FIG. TP-426AC
(SIZES 4" THRU 24" PIPE)

**FIG. TP-426AG PIPE ANCHOR WITH GUSSETS
FIG. TP-426AC PIPE ANCHOR WITH CLAMPS (4" THRU 24")**

PIPE SIZE	A	B	C	H
2"	4"	4"	2-1/2"	5-3/16"
2-1/2"	4"	4"	2-15/16"	5-7/16"
3"	4"	4"	3-3/16"	5-3/4"
3-1/2"	4"	4"	3-11/32"	6"
4"	4"	4"	3-1/2"	6-1/4"
5"	4"	4"	3-25/32"	6-13/16"
6"	4"	4"	4-1/16"	7-5/16"
8"	4"	4"	5-1/8"	8-5/16"
10"	4"	4"	6-3/16"	9-3/8"
12"	4"	4"	7-3/16"	10-3/8"
14"	4"	4"	7-13/16"	11"
16"	4"	4"	8-13/16"	12"
18"	7"	4"	10"	13"
20"	7"	4"	11"	14"
24"	7"	4"	13"	16"

FIG. TP-426A PIPE ANCHOR

PIPE SIZE	H	APPRX. WT./100
1"	4-11/16"	600
1-1/4"	4-13/16"	600
1-1/2"	4-15/16"	600
2"	5-3/16"	600
2-1/2"	5-7/16"	600
3"	5-3/4"	600
3-1/2"	6"	600
4"	6-1/4"	600
5"	5-13/16"	600

TRIPAC

475 KLUG CIRCLE • CORONA, CA 92880-6406
(951) 280-4488 • FAX: (951) 272-4445

TRIPAC FIG. TP-427 U-PIPE SLIDE PTFE

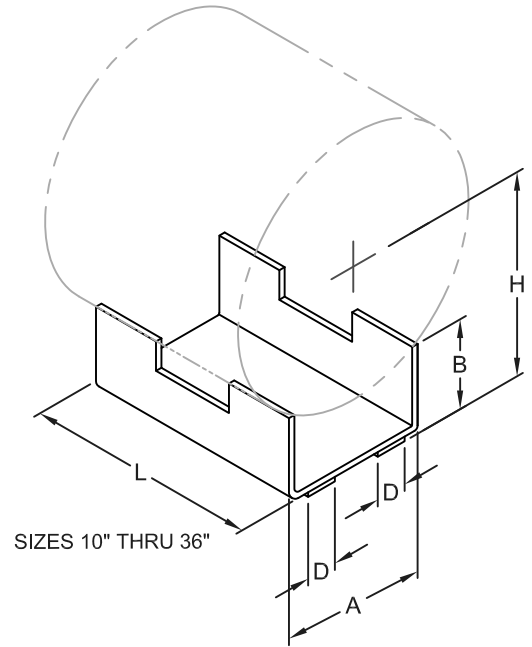
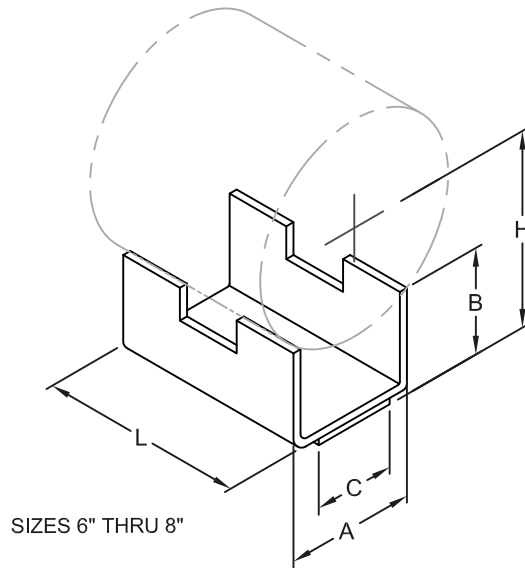
SIZE RANGE-6" THRU 36" PIPE

SERVICE-DESIGNED FOR SUPPORTING WITH A LOW CENTER OF GRAVITY FOR GREATER STABILITY ON ALL SIZES OF PIPE WITH BI-DIRECTIONAL MOVEMENTS. RECOMMENDED FOR USE WHERE CONCENTRATED AND ECCENTRIC LOADS TEND TO ROTATE THE PIPE. CAN BE WELDED OR CLAMPED TO THE PIPE. USE ONLY WITH FIG. TP-429 SLIDE PLATE

NOMINAL INSULATION THICKNESS- PIPE SIZES 6" AND 8", 2-1/2"; PIPE SIZES 10" THRU 20" 3"; PIPE SIZES 24" THRU 36", 3-1/2"

MATERIAL-CARBON STEEL AND PTFE

FINISHES-PLAIN, ELECTRO-GALVANIZED, HDG, OR STAINLESS STEEL MATERIALS



DIMENSIONS & WEIGHTS

PIPE SIZE	A	B	C	D	H	L	APPOX. WT./100	MAX * LOAD #	APPROX. WT./EACH
6"	4"	3-1/4"	2-1/2"	-	6"	6"	4	7000	3
8"	4"	3-1/4"	2-1/2"	-	7-3/16"	6"	4	7000	3
10"	6"	3-3/4"	-	1-1/2"	8-1/4"	9"	7	12000	13
12"	6"	3-3/4"	-	1-1/2"	9-3/8"	9"	7	12000	13
14"	7"	3-3/4"	-	1-1/2"	9-3/4"	9"	7	12000	14
16"	7"	3-3/4"	-	1-1/2"	10-7/8"	9"	7	12000	14
18"	9"	3-3/4"	-	2"	11-9/16"	9"	7	16000	17
20"	9"	3-3/4"	-	2"	12-11/16"	9"	7	16000	17
24"	12"	4"	-	3"	14-5/8"	12"	10	24000	34
30"	13"	4-1/4"	-	3"	17-3/4"	12"	10	24000	31
36***	18"	4-1/4"	-	4"	19-7/8"	12"	10	24000	48

* BASED ON USING 2" WIDE PTFE SLIDE PLATE AT 70°F TEMPERATURE

** DENOTES USE OF STIFFENERS

TRIPAC

475 KLUIG CIRCLE • CORONA, CA 92880-6406
(951) 280-4488 • FAX: (951) 272-4445

82

A DIVISION OF TRIPAC MARKETING, INC.

WWW.TRIPACONLINE.COM

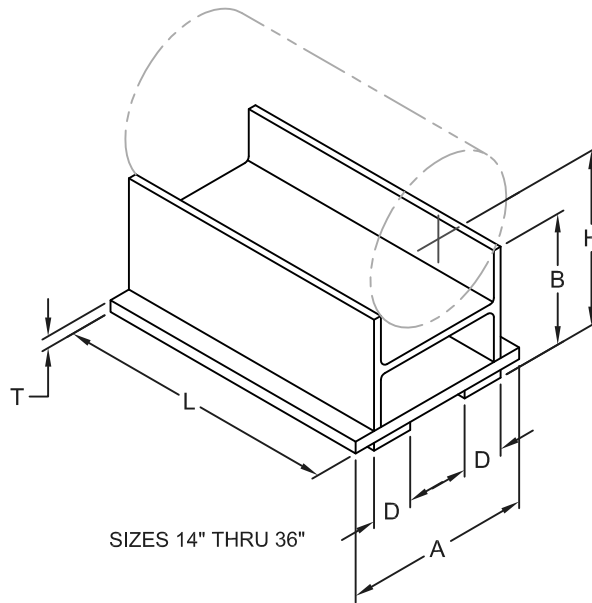
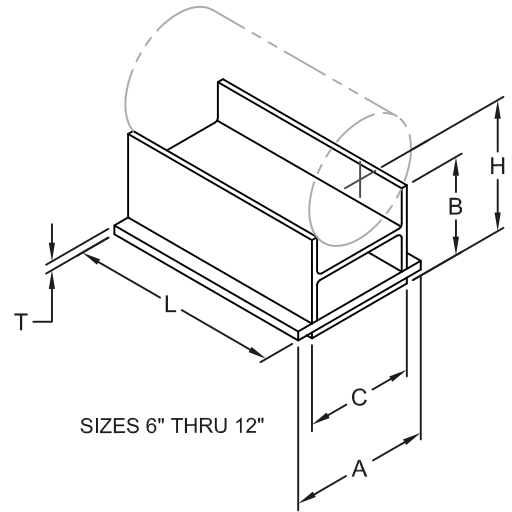
TRIPAC FIG. TP-428 H-PIPE SLIDE PTFE

SIZE RANGE-6" THRU 36" PIPE

SERVICE-DESIGNED FOR HEAVY DUTY PIPE SLIDE SUPPORT FOR LARGER PIPES WITH HEAVY LOADS AT MAXIMUM SPANS AND WHERE MOVEMENT IS LATERAL AS WELL AS AXIAL. ALSO RECOMMENDED FOR USE AS A TANK SUPPORT. MUST BE USED WITH SLIDE PLATE.

MATERIAL-CARBON STEEL AND PTFE

FINISHES-PLAIN, ELECTRO-GALVANIZED, HDG, OR STAINLESS STEEL MATERIALS



DIMENSIONS & WEIGHTS

PIPE SIZE	A	B	C	D	H	L	T	MAX. TRAVEL	MAX * LOAD #	APPROX. WT./100
6"	6"	4-1/2"	3"	-	7-5/16"	9"	1/4"	7	12000	1500
8"	6"	4-1/2"	3"	-	8-7/16"	9"	1/4"	7	12000	1500
10"	8"	4-1/2"	4"	-	9-1/8"	9"	1/4"	7	16000	1300
12"	8"	4-1/2"	4"	-	10-1/4"	9"	1/4"	7	16000	1300
14"	10"	4-1/2"	-	2"	10-7/16"	9"	1/4"	7	16000	1500
16"	10"	4-1/2"	-	2"	11-9/16"	9"	1/4"	7	16000	1500
18"	12"	4-5/8"	-	2"	12-1/4"	9"	3/8"	7	16000	2200
20"	12"	4-5/8"	-	2"	13-7/16"	9"	3/8"	7	16000	2200
24"	14"	4-3/4"	-	3"	15-5/16"	12"	1/2"	10	24000	4100
30"	16"	5-3/4"	-	3"	19-1/4"	12"	1/2"	10	24000	5200
36"	18"	6-1/4"	-	3"	22-5/8"	12"	1/2"	10	24000	5900

* BASED ON USING 2" WIDE PTFE SLIDE PLATE AT 70°F TEMPERATURE

TRIPAC

475 KLUG CIRCLE • CORONA, CA 92880-6406
(951) 280-4488 • FAX: (951) 272-4445

83

A DIVISION OF TRIPAC MARKETING, INC.

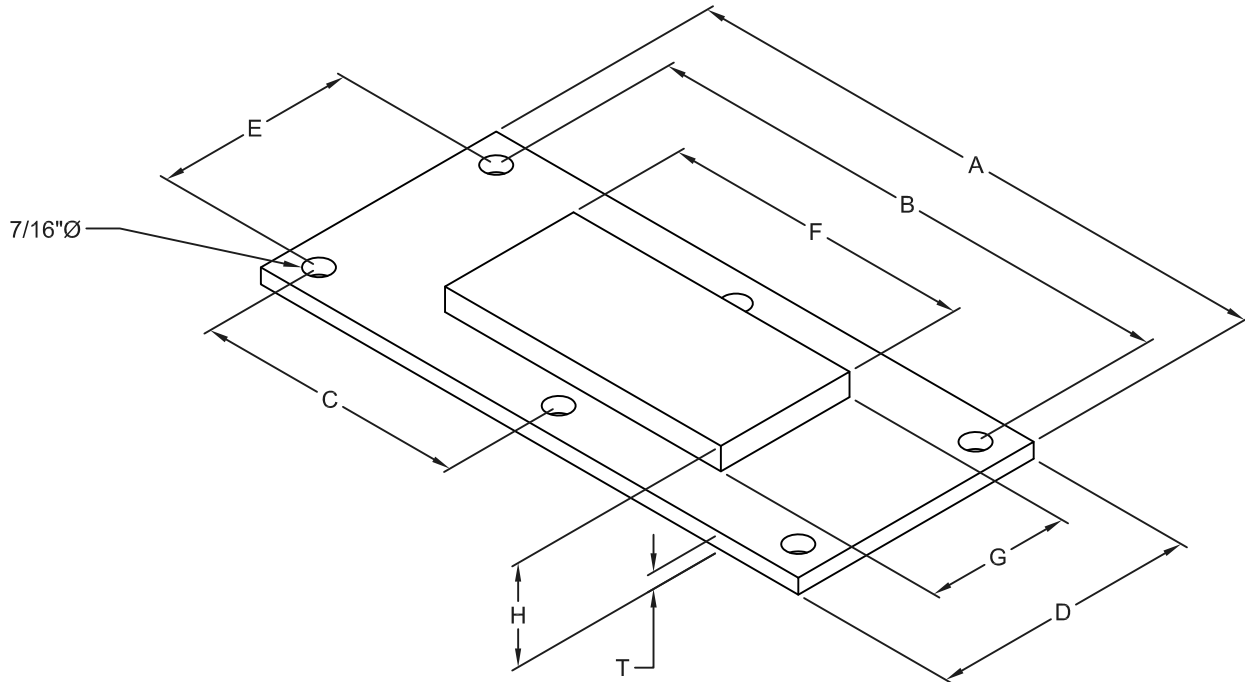
WWW.TRIPACONLINE.COM

TRIPAC FIG. TP-429 SLIDE PLATE PTFE

SERVICE-DESIGNED AS BASE SUPPORT FOR PIPE SLIDES. WIDER AND LONGER PADS CAN BE FURNISHED FOR HEAVIER LOAD AND GREATER MOVEMENTS. SLIDE PLATES MUST BE ATTACHED TO SUPPORTING BEAM OR STRUCTURE BY BOLTING OR TACK WELDING. THEY ARE NOT STRUCTURAL MEMBERS IN THEMSELVES. USE ONLY WITH PTFE PIPE SLIDES.

MATERIAL-CARBON STEEL AND PTFE

FINISHES-PLAIN, ELECTRO-GALVANIZED, HDG, OR STAINLESS STEEL MATERIALS



DIMENSIONS & WEIGHTS

SIZE	A	B	C	D	E	F	G	H	T	APPROX. WT./EACH
1	6-1/2"	5"	-	3"	2"	4"	2"	3/8"	1/8"	1
2	10-1/2"	9"	-	3"	2"	8"	2"	3/8"	1/8"	2
3	14-1/2"	13"	-	3"	2"	12"	2"	3/8"	1/8"	2
4	18-1/2"	17"	9-1/4"	4"	3"	16"	2"	7/16"	3/16"	5
5	22-1/2"	21"	11-1/4"	4"	3"	20"	2"	7/16"	3/16"	6
6	26-1/2"	25"	13-1/4"	4"	3"	24"	2"	7/16"	3/16"	7
7	7"	5-1/2"	-	6"	4-1/2"	4"	3"	3/8"	1/8"	2
8	11"	9-1/2"	-	6"	4-1/2"	8"	3"	3/8"	1/8"	3
9	15"	13-1/2"	-	6"	4-1/2"	12"	3"	7/16"	3/16"	6
10	21"	19-1/2"	10-1/2"	6"	4-1/2"	18"	3"	7/16"	3/16"	9
11	27"	25-1/2"	13-1/2"	6"	4-1/2"	24"	3"	7/16"	3/16"	11
12	40"	38"	20"	6"	4-1/2"	36"	3"	7/16"	3/16"	17

TRIPAC

475 KLUG CIRCLE • CORONA, CA 92880-6406
(951) 280-4488 • FAX: (951) 272-4445

84

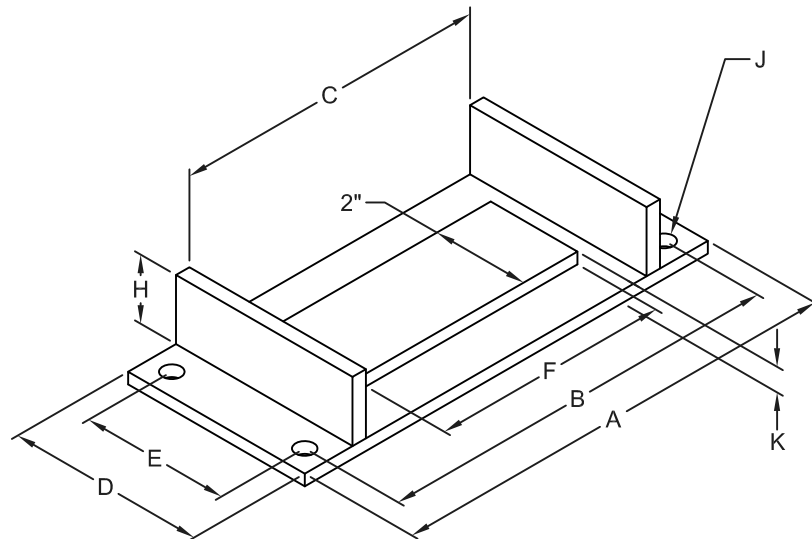
A DIVISION OF TRIPAC MARKETING, INC.
WWW.TRIPACONLINE.COM

TRIPAC FIG. TP-430 PTFE GUIDED SLIDE PLATE

SERVICE-SUPPORTS PIPE SLIDE WHERE ONLY AXIAL MOVEMENT IS ALLOWED. ACTS AS HORIZONTAL RESTRAINT IN ONE DIRECTION. SLIDE PLATE MUST BE ATTACHED TO SUPPORTING BEAM OR STRUCTURE BY BOLTING OR TACK WELDING. THEY ARE NOT STRUCTURAL MEMBERS. USE ONLY WITH PTFE SLIDES.

MATERIAL-CARBON STEEL AND PTFE

FINISHES-PLAIN, ELECTRO-GALVANIZED, HDG, OR STAINLESS STEEL MATERIALS



DIMENSIONS & WEIGHTS

SIZE	SLIDE WIDTH	A	B	C	D	E	F	H	HOLE SIZE J	K	APPROX. WT./EACH
A	2-3/4"	5"	4-1/4"	2-7/8"	3"	2-1/4"	2"	1-3/16"	5/16"	7/16"	1
B	3"	5"	4-1/4"	3-1/8"	3"	2-1/4"	2"	1-3/16"	5/16"	7/16"	1
C	4"	7"	6"	4-1/8"	4"	3"	3"	1-3/4"	7/16"	1/2"	3
D	6"	10"	8-1/2"	6-1/4"	6"	4-1/2"	6"	1-7/8"	9/16"	5/8"	9
E	6-1/2"	10"	8-1/2"	6-3/4"	6"	4-1/2"	6-1/2"	1-7/8"	9/16"	5/8"	9
F	7"	12"	10-1/2"	7-1/4"	6"	4-1/2"	7"	1-7/8"	9/16"	5/8"	10
G	8"	12"	10-1/2"	8-1/4"	6"	4-1/2"	8"	1-7/8"	9/16"	5/8"	10
H	9"	14"	12-1/2"	9-1/4"	6"	4-1/2"	9"	1-7/8"	9/16"	5/8"	11
J	10"	14"	12-1/2"	10-1/4"	6"	4-1/2"	10"	1-7/8"	9/16"	5/8"	12
K	12"	15"	14"	12-1/4"	6"	4-1/2"	10"	1-7/8"	9/16"	5/8"	12
L	13"	16"	15"	13-1/4"	6"	4-1/2"	10"	2-1/8"	9/16"	5/8"	13
M	14"	17"	16"	14-1/4"	6"	4-1/2"	10"	2-1/8"	11/16"	5/8"	14
N	16"	21"	19"	16-1/4"	8"	6"	12"	2-1/4"	11/16"	3/4"	28
P	18"	23"	21"	18-1/4"	8"	6"	14"	2-1/4"	11/16"	3/4"	31

TRIPAC

475 KLUG CIRCLE • CORONA, CA 92880-6406
(951) 280-4488 • FAX: (951) 272-4445

85

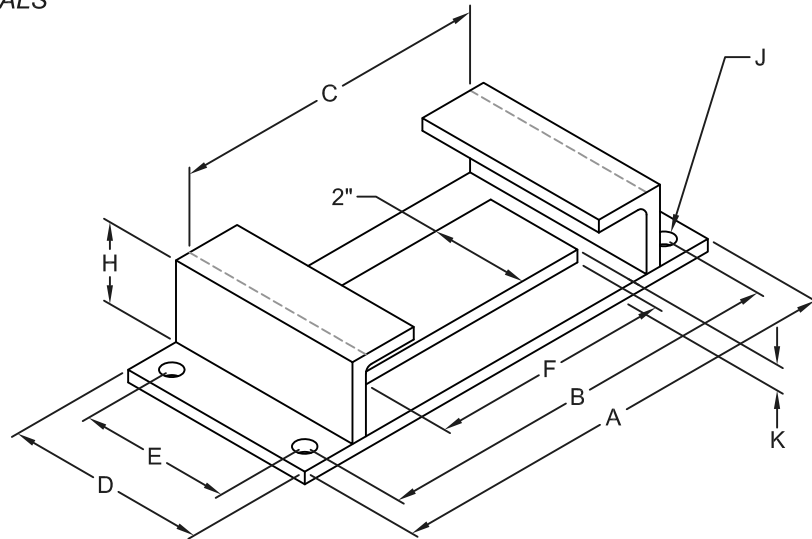
A DIVISION OF TRIPAC MARKETING, INC.
WWW.TRIPACONLINE.COM

TRIPAC FIG. TP-431 PTFE HOLD DOWN SLIDE PLATE

SERVICE-SUPPORTS PIPE SLIDE WHERE HORIZONTAL MOVEMENT IN ONE PLANE IS DESIRED AND PIPE MAY HAVE A TENDENCY TO BUCKLE OR ROTATE. SLIDE PLATES MUST BE ATTACHED TO SUPPORTING BEAM OR STRUCTURE BY BOLTING OR TACK WELDING. THEY ARE NOT STRUCTURAL MEMBERS. USE ONLY WITH PTFE SLIDES.

MATERIAL-CARBON STEEL AND PTFE

FINISHES-PLAIN, ELECTRO-GALVANIZED, HDG, OR STAINLESS STEEL MATERIALS



DIMENSIONS & WEIGHTS

SIZE	SLIDE WIDTH	A	B	C	D	E	F	H	HOLE SIZE J	K	APPROX. WT./EACH
A	2-1/2"	5"	4-1/4"	2-7/8"	3"	2-1/4"	2"	1-7/16"	5/16"	7/16"	2
B	3"	5"	4-1/4"	3-1/8"	3"	2-1/4"	2"	1-7/16"	5/16"	7/16"	3
C	4"	7"	6"	4-1/8"	4"	3"	3"	1-1/2"	7/16"	1/2"	3
D	6"	10"	8-1/2"	6-1/4"	6"	4-1/2"	6"	1-5/8"	9/16"	5/8"	6
E	6-1/2"	10"	8-1/2"	6-3/4"	6"	4-1/2"	6-1/2"	1-7/8"	9/16"	5/8"	12
F	8"	12"	10-1/2"	8-1/4"	6"	4-1/2"	7"	1-7/8"	9/16"	5/8"	13
G	10"	14"	12-1/2"	10-1/4"	6"	4-1/2"	10"	1-7/8"	9/16"	5/8"	14
H	12"	15"	14"	12-1/4"	6"	4-1/2"	10"	1-7/8"	9/16"	5/8"	16
J	14"	17"	16"	14-1/4"	6"	4-1/2"	10"	2-1/8"	9/16"	5/8"	18
K	16"	21"	19"	16-1/4"	8"	4-1/2"	12"	2-1/4"	11/16"	3/4"	21
L	18"	23"	21"	18-1/4"	8"	4-1/2"	14"	2-1/4"	11/16"	3/4"	36

TRIPAC

475 KLUIG CIRCLE • CORONA, CA 92880-6406
(951) 280-4488 • FAX: (951) 272-4445

86

A DIVISION OF TRIPAC MARKETING, INC.

WWW.TRIPACONLINE.COM

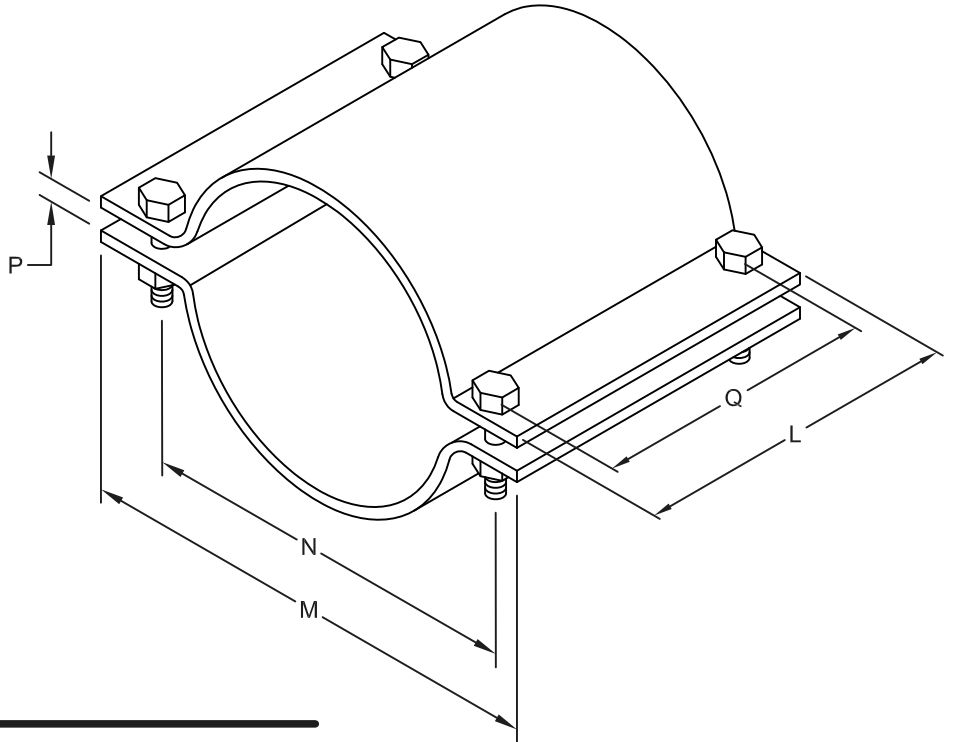
TRIPAC FIG. TP-433 COPPER TUBE CLAMP

SIZE RANGE-2" THRU 12" COPPER TUBE

SERVICE-DESIGNED TO BE USED WITH AND WHERE PIPE SLIDES CANNOT BE WELDED DIRECTLY TO THE COPPER TUBE. RECOMMENDED FOR GALVANIZED, STAINLESS AND COATED PIPE. WHEN USED WITH PLASTIC OR ALUMINUM PIPE, A THIN PROTECTIVE LINER SHOULD BE INSERTED BETWEEN THE PIPE AND THE CLAMP.

MATERIAL-CARBON STEEL, T-304 AND T-316

FINISHES-PLAIN, ELECTRO-GALVANIZED, HDG



DIMENSIONS & WEIGHTS

PIPE SIZE	L	M	N	P	Q	APPROX. WT./100
2"	6"	4-1/2"	3-5/8"	1/4"	4-1/2"	200
2-1/2"	6"	5"	4-1/8"	1/4"	4-1/2"	300
3"	6"	5-1/2"	4-5/8"	1/4"	4-1/2"	300
3-1/2"	6"	6"	5-1/8"	1/4"	4-1/2"	300
4"	6"	6-1/2"	5-5/8"	1/4"	4-1/2"	400
5"	6"	7-1/2"	6-5/8"	1/4"	4-1/2"	400
6"	9"	9"	7-7/8"	1/2"	6"	1100
8"	9"	11"	9-7/8"	1/2"	6"	1400
10"	9"	13"	11-7/8"	1/2"	6"	1700
12"	9"	15"	13-7/8"	1/2"	6"	2000

TRIPAC

475 KLUG CIRCLE • CORONA, CA 92880-6406
(951) 280-4488 • FAX: (951) 272-4445

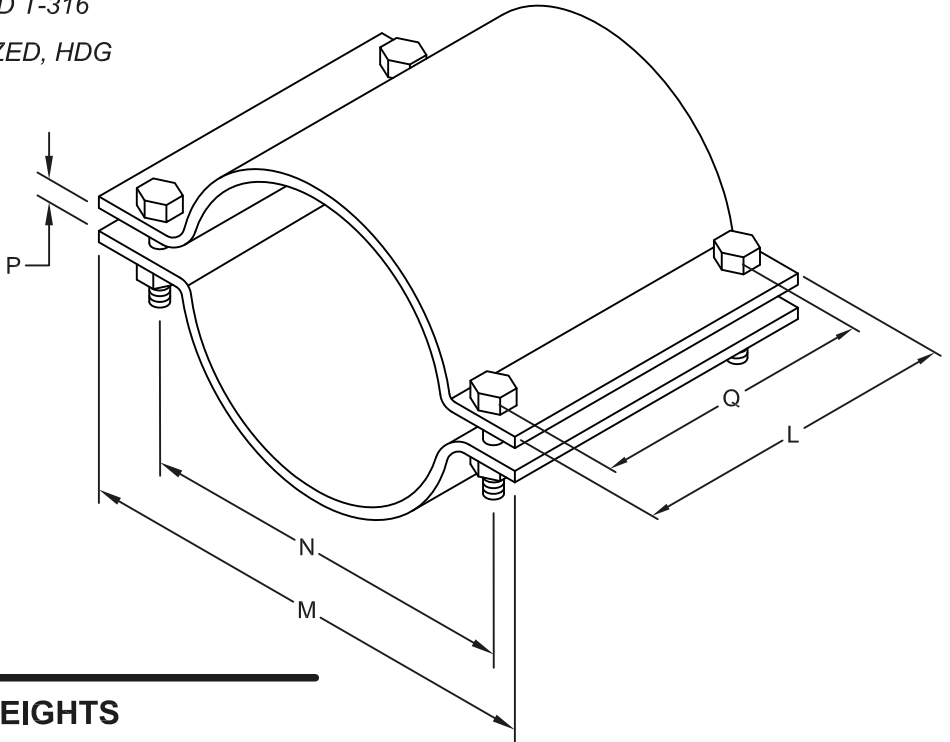
TRIPAC FIG. TP-434 IPS CLAMP

SIZE RANGE-2" THRU 24" PIPE

SERVICE-DESIGNED TO BE USED WITH AND WHERE PIPE SLIDES CANNOT BE WELDED DIRECTLY TO THE PIPE. RECOMMENDED FOR GALVANIZED, STAINLESS AND COATED PIPE. WHEN USED WITH PLASTIC OR ALUMINUM PIPE, A THIN PROTECTIVE LINER SHOULD BE INSERTED BETWEEN THE PIPE AND THE CLAMP.

MATERIAL-CARBON STEEL, T-304 AND T-316

FINISHES-PLAIN, ELECTRO-GALVANIZED, HDG



DIMENSIONS & WEIGHTS

PIPE SIZE	L	M	N	P	Q	APPROX. WT./100
2"	6"	4-3/4"	3-7/8"	1/4"	4-1/2"	200
2-1/2"	6"	5"	4-3/8"	1/4"	4-1/2"	300
3"	6"	5-7/8"	5"	1/4"	4-1/2"	300
3-1/2"	6"	6-3/8"	5-1/2"	1/4"	4-1/2"	400
4"	6"	6-15/16"	6-1/16"	1/4"	4-1/2"	400
5"	6"	8"	7-1/8"	1/4"	4-1/2"	500
6"	9"	9-1/2"	8-3/8"	1/2"	6"	1200
8"	9"	11-1/2"	10-3/8"	1/2"	6"	1500
10"	9"	13-5/8"	12-1/2"	1/2"	6"	1800
12"	9"	15-11/16"	14-9/16"	1/2"	6"	2100
14"	12"	17-7/16"	15-13/16"	5/8"	8"	4100
16"	12"	19-7/16"	17-13/16"	5/8"	8"	4600
18"	12"	21-7/16"	19-13/16"	5/8"	8"	5200
20"	12"	23-7/16"	21-13/16"	5/8"	8"	5700
24"	12"	27-1/2"	25-7/8"	5/8"	8"	6700

TRIPAC

475 KLUG CIRCLE • CORONA, CA 92880-6406
(951) 280-4488 • FAX: (951) 272-4445

TRIPAC FIG. TP-811 PIPE SADDLE WITH STRAP

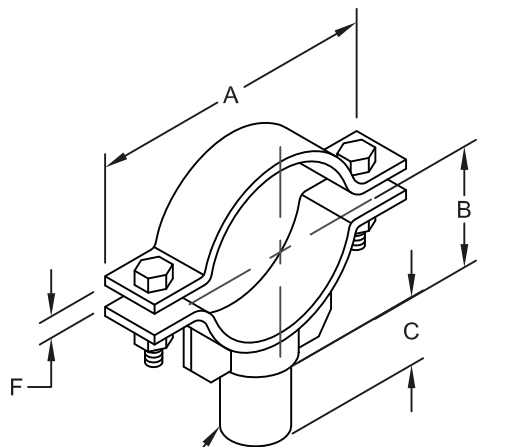
SIZE RANGE-4" THRU 36" PIPE

SERVICE-DESIGNED FOR SUPPORTING PIPE FROM FLOOR STANCHION. TOP CLAMP HOLDS PIPE SECURELY IN PLACE.

MATERIAL-CARBON STEEL, T-304 AND T-316

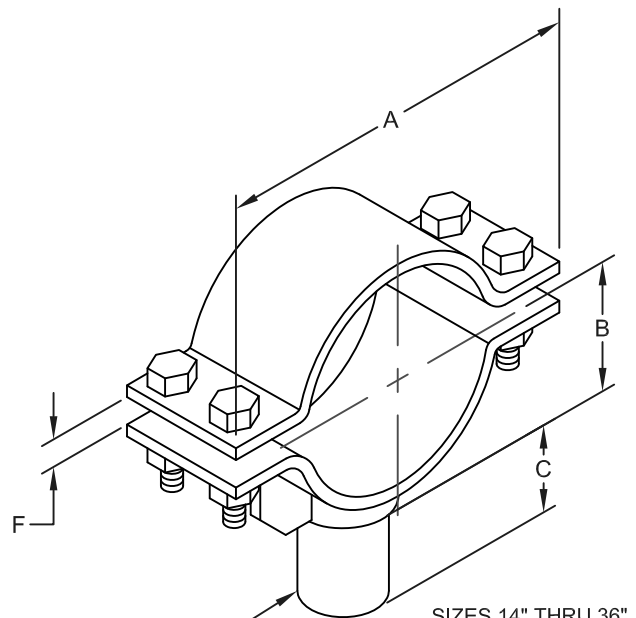
FINISHES-PLAIN, ELECTRO-GALVANIZED, HDG

8" AND LARGER WILL HAVE GUSSETS



D-SHANK WILL FIT INTO E SIZE SCH. 40 PIPE

SIZES 4" THRU 12"



D-SHANK WILL FIT INTO E SIZE SCH. 40 PIPE

SIZES 14" THRU 36"

DIMENSIONS

PIPE SIZE	A	B	C	D	E	F	BOLT SIZE
4"	7"	3-13/16"	2"	2-3/8"	2-1/2"	3/4"	1/2"
5"	8-5/8"	4-3/16"	2"	2-3/8"	2-1/2"	3/4"	1/2"
6"	11"	4-7/8"	2"	2-3/8"	2-1/2"	7/8"	5/8"
8"	13-7/8"	6-15/16"	2"	2-3/8"	2-1/2"	1"	5/8"
10"	16"	7-15/16"	2"	2-3/8"	2-1/2"	1"	3/4"
12"	18-1/4"	9-1/8"	3"	2-3/8"	2-1/2"	1"	3/4"
14"	19-3/4"	10-1/2"	3"	2-7/8"	3"	1-1/8"	3/4"
16"	22-3/4"	11-1/2"	3"	2-7/8"	3"	1-1/8"	3/4"
18"	25-1/16"	13-1/2"	4"	3-3/4"	4"	1-1/4"	3/4"
20"	27-3/4"	14-1/2"	4"	3-3/4"	4"	1-3/8"	3/4"
22"	29-3/4"	15-1/2"	4"	3-3/4"	4"	1-3/8"	3/4"
24"	32-3/8"	17-1/2"	4"	3-3/4"	4"	1-5/8"	7/8"
26"	35"	18-1/2"	4"	3-3/4"	4"	2"	7/8"
30"	39-3/8"	20-5/8"	4"	3-3/4"	4"	2"	7/8"
32"	41-3/8"	21-5/8"	4"	3-3/4"	4"	2"	7/8"
36"	45-3/8"	23-5/8"	4"	3-3/4"	4"	2"	7/8"

TRIPAC

475 KLUG CIRCLE • CORONA, CA 92880-6406
(951) 280-4488 • FAX: (951) 272-4445

TRIPAC FIG. TP-814 FLANGE SUPPORT

SIZE RANGE-4" THRU 36" PIPE

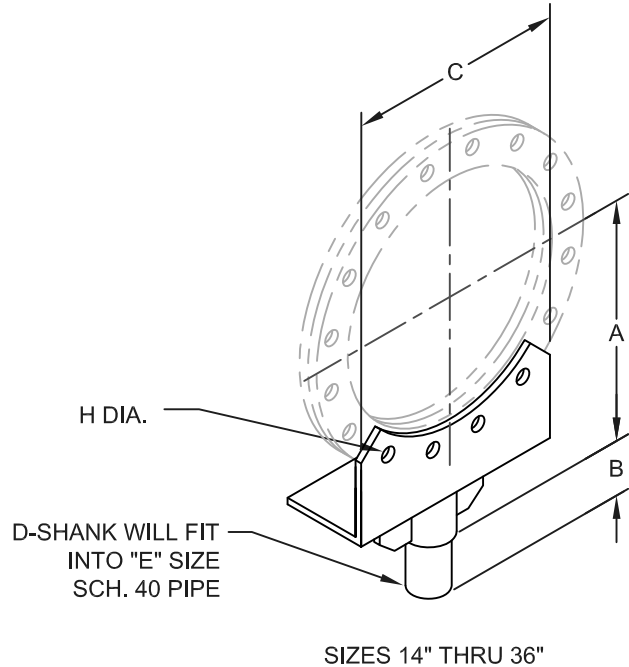
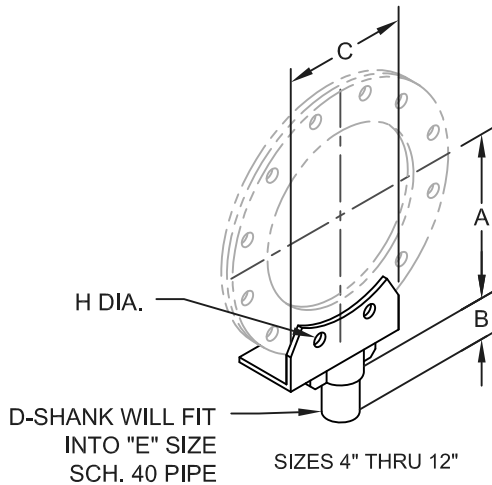
SERVICE-DESIGNED FOR SUPPORTING PIPE AT THE FLANGE CONNECTION FROM FLOOR STANCHION.

MATERIAL-CARBON STEEL, T-304 AND T-316

FINISHES-PLAIN, ELECTRO-GALVANIZED, HDG

COMPLIES WITH FEDERAL SPECIFICATION WW-H-171-E (TYPE #38 AND MANUFACTURERS STANDARDIZATION SOCIETY MSS SP-69 (TYPE #37)

8" AND LARGER WILL HAVE GUSSETS



DIMENSIONS

PIPE SIZE	A	B	C	D	E	H
4"	6-7/8"	2"	6-3/8"	2-3/8"	2-1/2"	3/4"
5"	7-3/8"	2"	7-1/16"	2-3/8"	2-1/2"	7/8"
6"	7-7/8"	2"	7-3/4"	2-3/8"	2-1/2"	7/8"
8"	10-1/8"	2"	9-9/16"	2-3/8"	2-1/2"	7/8"
10"	11-3/8"	2"	8"	2-3/8"	2-1/2"	1"
12"	12-7/8"	3"	9-1/2"	2-3/8"	2-1/2"	1"
14"	15"	3"	18-3/16"	2-7/8"	3"	1-1/8"
16"	16-1/4"	3"	16-5/8"	2-7/8"	3"	1-1/8"
18"	18"	4"	17-11/16"	3-3/4"	4"	1-1/4"
20"	19-1/4"	4"	15-3/4"	3-3/4"	4"	1-1/4"
22"	20-1/4"	4"	16-5/16"	3-3/4"	4"	1-3/8"
24"	22-1/2"	4"	18-3/8"	3-3/4"	4"	1-3/8"
26"	23-5/8"	4"	17-1/8"	3-3/4"	4"	1-3/8"
30"	25-7/8"	4"	16-3/8"	3-3/4"	4"	1-3/8"
32"	27-3/8"	4"	17-5/8"	3-3/4"	4"	1-5/8"
36"	29-1/2"	4"	17-1/2"	3-3/4"	4"	1-5/8"

TRIPAC

475 KLUK CIRCLE • CORONA, CA 92880-6406
(951) 280-4488 • FAX: (951) 272-4445

90

A DIVISION OF TRIPAC MARKETING, INC.

WWW.TRIPACONLINE.COM

TRIPAC FIG. TP-816 PIPE STAND TRIPAC FIG. TP-816T THREADED PIPE STAND

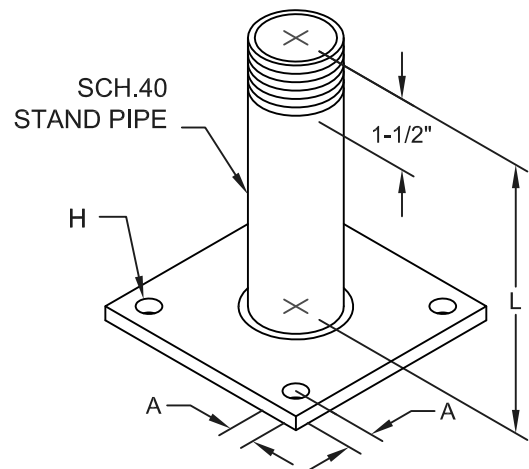
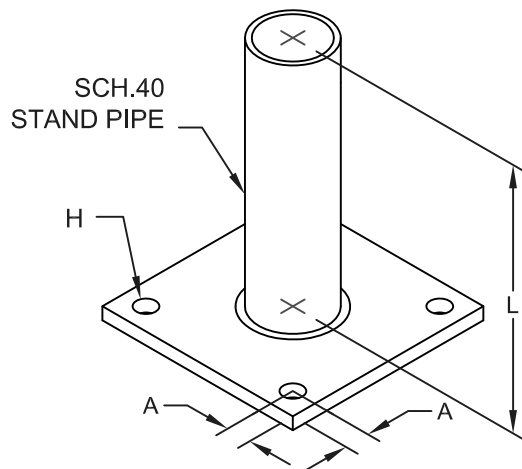
SIZE RANGE-1" THRU 8" PIPE

SERVICE-DESIGNED TO PROVIDE A SUPPORT BASE FOR FLOOR STANCHION SUPPORT. USE WITH SADDLES TP-811, TP-814, TP-817, TP-818 AND WHEN VERTICAL ADJUSTMENT IS NEEDED USE TP-819 PIPE ADJUSTER.

MATERIAL-CARBON STEEL, T-304 AND T-316

FINISHES-PLAIN, ELECTRO-GALVANIZED, HDG

"L" DIMENSION FROM TOP OF PIPE TO TOP OF PLATE



DIMENSIONS & WEIGHTS

STAND PIPE SIZE	A	H	PLATE SIZE	APPROX. WT./100
1"	1"	1/2"	6" SQ.	423
1-1/4"	1"	1/2"	6" SQ.	482
1-1/2"	1"	1/2"	6" SQ.	525
2"	1"	1/2"	6" SQ.	748
2-1/2"	1-1/8"	5/8"	8" SQ.	1377
3"	1-1/8"	5/8"	9" SQ.	1555
4"	1-1/4"	3/4"	11" SQ.	2514
6"	1-1/2"	7/8"	14" SQ.	4469
8"	1-1/2"	1"	16" SQ.	10120

* WEIGHT IS BASED ON "L" DIMENSION OF 1'-0"

TRIPAC

475 KLUIG CIRCLE • CORONA, CA 92880-6406
(951) 280-4488 • FAX: (951) 272-4445

TRIPAC FIG. TP-817 PIPE SADDLE

SIZE RANGE-1 1/2" THRU 36" PIPE

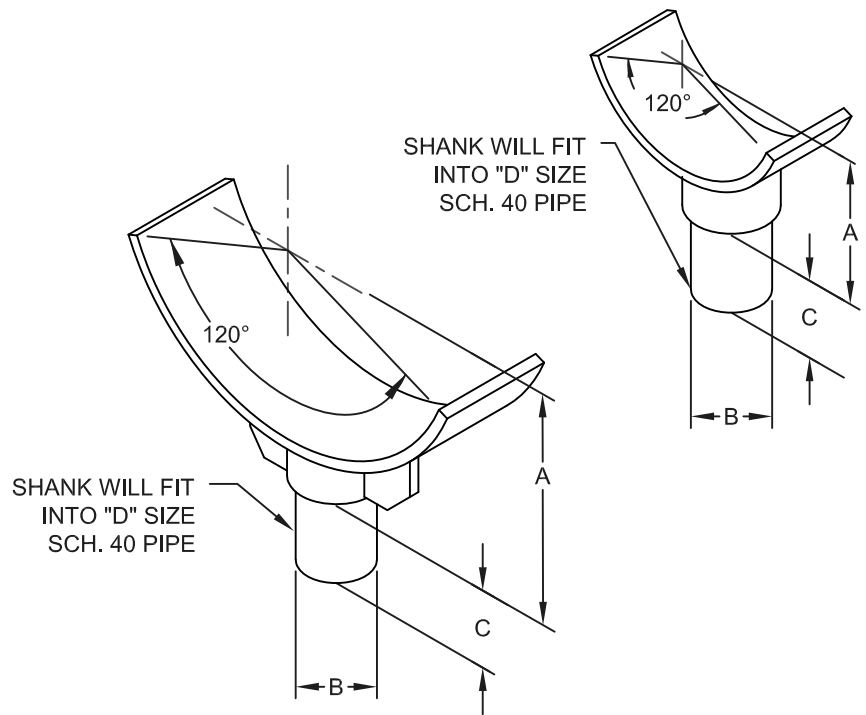
SERVICE-DESIGNED TO SUPPORT HORIZONTAL PIPE FROM FLOOR STANCHION.

MATERIAL-CARBON STEEL, T-304 AND T-316

FINISHES-PLAIN, ELECTRO-GALVANIZED, HDG

COMPLIES WITH FEDERAL SPECIFICATION WW-H-171-E (TYPE #37) AND MANUFACTURERS STANDARDIZATION SOCIETY MSS AND SP-69 (TYPE #36)

8" AND LARGER WILL HAVE GUSSETS



DIMENSIONS & WEIGHTS

PIPE SIZE	MAX O.D. SIZE	A	B	C	D	APPROX. WT./100
1-1/2"	2"	2-1/4"	*1-1/2"	2"	1-1/2"	127
2"	2-3/8"	2-7/16"	*1-1/2"	2"	1-1/2"	131
2-1/2"	2-7/8"	2-11/16"	*1-1/2"	2"	1-1/2"	149
3"	3-1/2"	3"	*1-1/2"	2"	1-1/2"	162
3-1/2"	4"	3-1/4"	*1-1/2"	2"	1-1/2"	178
4"	4-7/8"	3-13/16"	2-3/8"	3"	2-1/2"	455
5"	5-5/8"	4-3/16"	2-3/8"	3"	2-1/2"	489
6"	7"	4-7/8"	2-3/8"	3"	2-1/2"	550
8"	9-1/8"	6-15/16"	2-3/8"	4"	2-1/2"	790
10"	11-1/8"	7-15/16"	2-3/8"	4"	2-1/2"	872
12"	13-1/2"	9-1/8"	2-3/8"	4"	2-1/2"	1007
14"	14"	10-1/2"	2-7/8"	4"	3"	1541
16"	16"	11-1/2"	2-7/8"	4"	3"	1680
18"	18"	13-1/2"	3-3/4"	4"	4"	2220
20"	20"	14-1/2"	3-3/4"	4"	4"	2415
22"	22"	15-1/2"	3-3/4"	4"	4"	2600
24"	24"	17-1/2"	3-3/4"	4"	4"	2970
26"	26"	18-1/2"	3-3/4"	4"	4"	3172
30"	30"	20-5/8"	3-3/4"	4"	4"	4047
32"	32"	21-5/8"	3-3/4"	4"	4"	4230
36"	36"	23-5/8"	3-3/4"	4"	4"	4608

* FOR PIPE SIZES 1-1/2" THRU 3-1/2", A ROD SHANK IS USED.

TRIPAC

475 KLUG CIRCLE • CORONA, CA 92880-6406
(951) 280-4488 • FAX: (951) 272-4445

92

A DIVISION OF TRIPAC MARKETING, INC.

WWW.TRIPACONLINE.COM

TRIPAC FIG. TP-818 PIPE SADDLE WITH U-BOLT

SIZE RANGE-4" THRU 36" PIPE

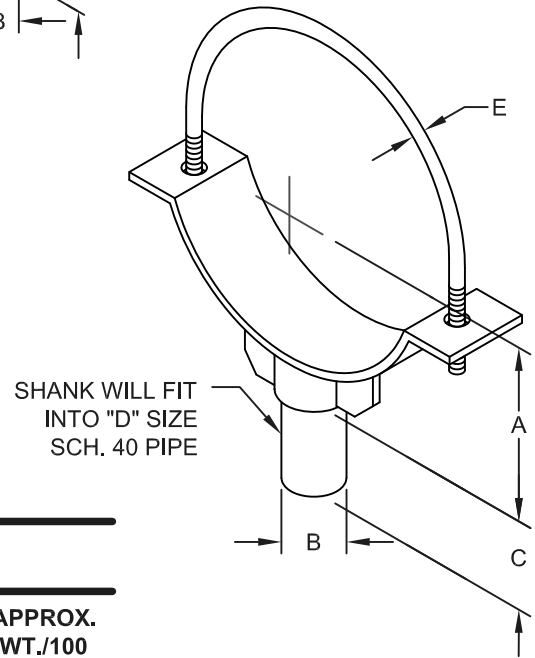
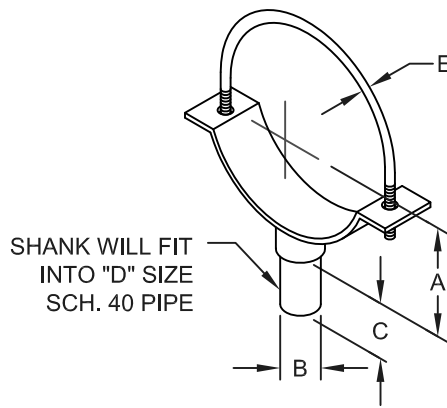
SERVICE-DESIGNED TO SUPPORT HORIZONTAL PIPE FROM FLOOR STANCHION. U-BOLT AND HEX NUTS ARE PROVIDED TO HOLD PIPE SECURELY TO SADDLE.

MATERIAL-CARBON STEEL, T-304 AND T-316

FINISHES-PLAIN, ELECTRO-GALVANIZED, HDG

COMPLIES WITH FEDERAL SPECIFICATION WW-H-171-E (TYPE #38) AND MANUFACTURERS STANDARDIZATION SOCIETY MSS AND SP-69 (TYPE #37)

8" AND LARGER WILL HAVE GUSSETS



DIMENSIONS & WEIGHTS

PIPE SIZE	MAX O.D. SIZE	A	B	C	D	E	APPROX. WT./100
4"	4-7/8"	3-13/16"	2-3/8"	3"	2-1/2"	1/2"	620
5"	5-5/8"	4-3/16"	2-3/8"	3"	2-1/2"	1/2"	660
6"	7"	4-7/8"	2-3/8"	3"	2-1/2"	5/8"	835
8"	9-1/8"	6-15/16"	2-3/8"	3"	2-1/2"	5/8"	1120
10"	11-1/8"	7-15/16"	2-3/8"	3"	2-1/2"	3/4"	1400
12"	13-1/2"	9-1/8"	2-3/8"	3"	2-1/2"	7/8"	1800
14"	14"	10-1/2"	2-7/8"	3"	3"	7/8"	2930
16"	16"	11-1/2"	2-7/8"	3"	3"	7/8"	3225
18"	18"	13-1/2"	3-3/4"	4"	4"	1"	3960
20"	20"	14-1/2"	3-3/4"	4"	4"	1"	4309
22"	22"	15-1/2"	3-3/4"	4"	4"	1"	4660
24"	24"	17-1/2"	3-3/4"	4"	4"	1"	5188
26"	26"	18-1/2"	3-3/4"	4"	4"	1"	5520
30"	30"	20-5/8"	3-3/4"	4"	4"	1"	6948
32"	32"	21-5/8"	3-3/4"	4"	4"	1"	7327
36"	36"	23-5/8"	3-3/4"	4"	4"	1"	8046

TRIPAC

475 KLUG CIRCLE • CORONA, CA 92880-6406
(951) 280-4488 • FAX: (951) 272-4445

TRIPAC FIG. TP-819 THREADED PIPE ADJUSTER

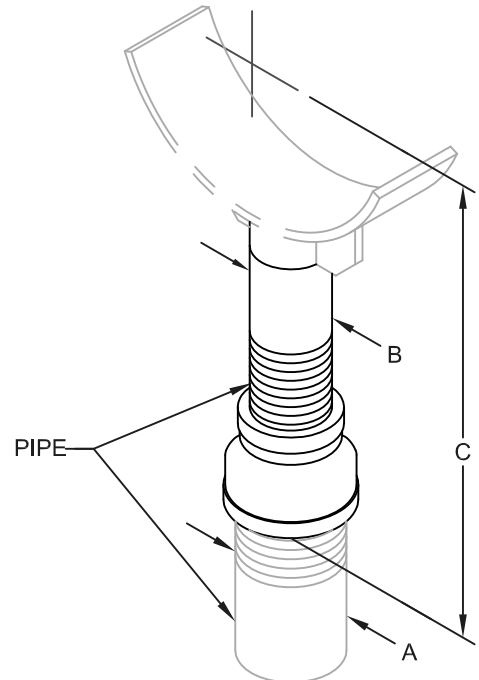
SIZE RANGE-FOR USE WITH 2-1/2" THRU 36" PIPE

SERVICE-DESIGNED TO PROVIDE UP TO 4-1/2" OF VERTICAL ADJUSTMENT AFTER INSTALLATION. TYPICALLY USED IN CONJUNCTION WITH TP-816T PIPE STAND AND TP-811, TP-814, TP-817 & TP-818 PIPE SADDLES.

MATERIAL-CARBON STEEL, T-304 AND T-316

FINISHES-PLAIN, ELECTRO-GALVANIZED, HDG

COMPLIES WITH FEDERAL SPECIFICATION WW-H-171-E (TYPE #39 2-1/2" THRU 36") AND MANUFACTURERS STANDARDIZATION SOCIETY MSS AND SP-69 (TYPE #38), WHEN USED WITH PIPE STAND AND PIPE SADDLE.



DIMENSIONS & WEIGHTS

ADJUSTER SIZE	PIPE SIZE	MAX. O.D. OF PIPE	A PIPE SIZE	B PIPE SIZE	C MIN.	C MAX.	APPROX. WT./100
1-1/2" x 2-1/2"	2-1/2"	2-7/8"	2-1/2"	1-1/2"	7"	11-1/2"	304
1-1/2" x 2-1/2"	3"	3-1/2"	2-1/2"	1-1/2"	7-5/16"	11-13/16"	304
1-1/2" x 2-1/2"	3-1/2"	4"	2-1/2"	1-1/2"	7-9/16"	12-1/16"	304
2-1/2 x 3"	4"	4-7/8"	3"	2-1/2"	10-1/4"	14-3/4"	793
2-1/2 x 3"	5"	5-5/8"	3"	2-1/2"	11-1/16"	15-9/16"	793
2-1/2 x 3"	6"	7"	3"	2-1/2"	11-9/16"	16-1/16"	793
2-1/2 x 3"	8"	9-1/8"	3"	2-1/2"	13-9/16"	18-1/16"	793
2-1/2 x 3"	10"	11-1/8"	3"	2-1/2"	14-5/8"	19-1/8"	793
2-1/2 x 3"	12"	13-1/2"	3"	2-1/2"	15-5/8"	20-1/8"	793
3" x 4"	14"	14"	4"	3"	18-7/8"	23-3/8"	1220
3" x 4"	16"	16"	4"	3"	19-7/8"	24-3/8"	1220
4" x 6"	18"	18"	6"	4"	22-1/4"	26-3/4"	2248
4" x 6"	20"	20"	6"	4"	23-1/4"	27-3/4"	2248
4" x 6"	22"	22"	6"	4"	24-1/4"	28-3/4"	2248
4" x 6"	24"	24"	6"	4"	26-1/2"	31"	2248
4" x 6"	26"	26"	6"	4"	27-1/2"	32"	2248
4" x 6"	30"	30"	6"	4"	29-5/8"	24-1/8"	2248
4" x 6"	32"	32"	6"	4"	30-5/8"	35-1/8"	2248
4" x 6"	36"	36"	6"	4"	32-5/8"	37-1/8"	2248

TRIPAC

475 KLUG CIRCLE • CORONA, CA 92880-6406
(951) 280-4488 • FAX: (951) 272-4445

94

A DIVISION OF TRIPAC MARKETING, INC.

WWW.TRIPACONLINE.COM

TRIPAC FIG. TP-900 PIPE SUPPORT

SIZE RANGE-4" THRU 36" PIPE

SERVICE-DESIGNED FOR SUPPORTING PIPE FROM FLOOR STANCHION WITH CENTERLINE FLEXIBILITY. DESIGNED TO BE USED WITH ANY SADDLE STYLE FIG TP-811, TP-814, TP-817, TP-818.

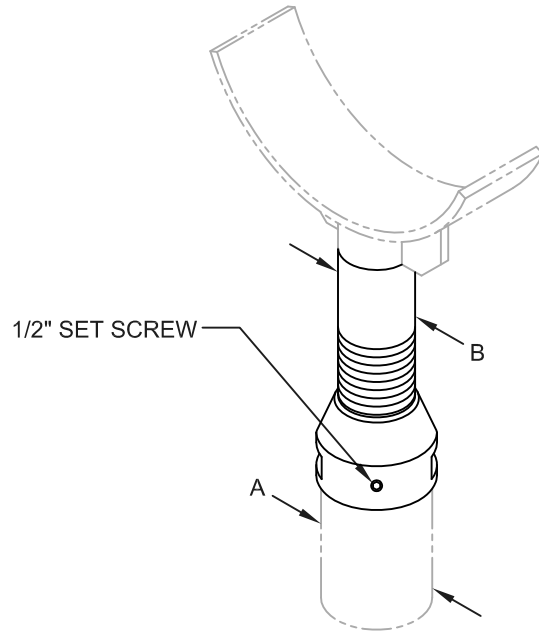
PIPE STAND MATERIAL-CARBON STEEL, T-304 AND T-316

FINISHES-PLAIN, ELECTRO-GALVANIZED, HDG, POWDER COAT GREY

SLIP FIT ADJUSTER MATERIAL-STEEL, T-304, T-316

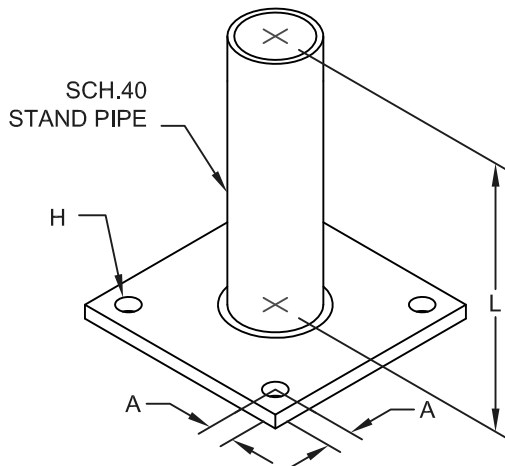
SLIP FIT ADJUSTER FINISH-ELECTRO-GALVANIZED

PIPE STANDS ARE STOCK 30" TALL AND ARE DESIGNED TO BE FIELD CUT TO DESIRED CENTERLINE HEIGHT.



DIMENSIONS & WEIGHTS

ADJUSTER SIZE	A PIPE SIZE	B PIPE SIZE	APPROX. WT./100
2-1/2 x 3"	3"	2-1/2"	793



DIMENSIONS & WEIGHTS

STAND PIPE SIZE	A	H	L	PLATE SIZE	WT.
3"	1-1/8"	5/8"	30"	9" SQ.	1555

TRIPAC

475 KLUG CIRCLE • CORONA, CA 92880-6406
(951) 280-4488 • FAX: (951) 272-4445

TOLCO FIG. 980 UNIVERSAL SWIVEL SWAY BRACE ATTACHMENT 3/8"-16 TO 3/4"-10 RODS

SIZE RANGE-ONE SIZE FITS BRACING PIPE 1" THRU 2", TRIPAC 12 GAUGE CHANNEL, AND ALL STRUCTURAL STEEL UP TO 1/4" THICK.

SERVICE-DESIGNED FOR MULTI-FUNCTIONAL ATTACHMENT TO STRUCTURE OR BRACED PIPE FITTING.

FEATURES-THIS PRODUCT'S DESIGN INCORPORATES A CONCENTRIC ATTACHMENT OPENING WHICH IS CRITICAL TO THE PERFORMANCE OF STRUCTURAL SEISMIC CONNECTIONS. MOUNTS TO ANY SURFACE ANGLE. BREAK OFF BOLT HEAD ASSURES VERIFICATION OF PROPER INSTALLATION.

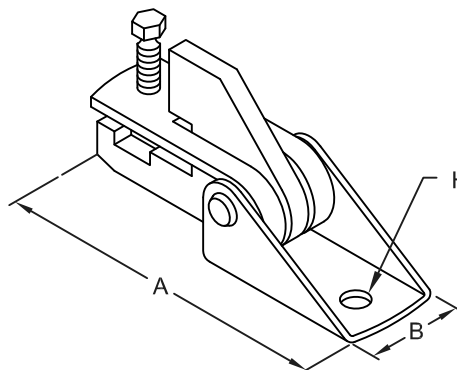
INSTALLATION-THE FIG. 980 IS THE STRUCTURAL OR TRANSITIONAL ATTACHMENT COMPONENT OF A LONGITUDINAL OR LATERAL SWAY BRACE ASSEMBLY.

TO INSTALL-PLACE THE FIG. 980 ONTO THE "BRACING PIPE". TIGHTEN THE SET BOLT UNTIL SET BOLT HEAD BREAKS OFF. ATTACHMENT CAN PIVOT FOR ADJUSTMENT TO PROPER BRACE ANGLE.

MATERIAL-CARBON STEEL

FINISHES-PLAIN, ELECTRO-GALVANIZED FINISH

*MANUFACTURED BY TOLCO



DIMENSIONS & WEIGHTS

A	B	H*	MAX. DESIGN LOAD LBS.	APPROX. WT./100
5-1/4"	1-7/8"	17/32"	2800	132

* AVAILABLE WITH HOLE SIZES TO ACCOMMODATE UP TO 3/4" FASTENER. CONSULT FACTORY.

TRIPAC

475 KLUG CIRCLE • CORONA, CA 92880-6406
(951) 280-4488 • FAX: (951) 272-4445

96

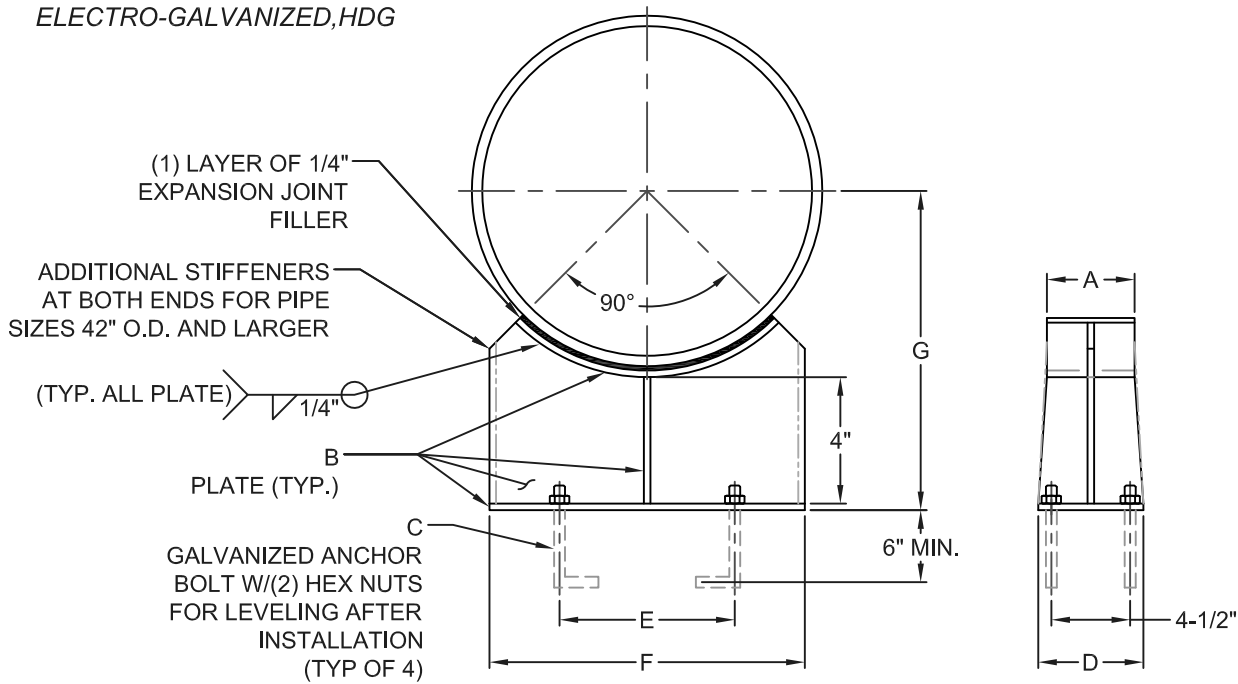
A DIVISION OF TRIPAC MARKETING, INC.
WWW.TRIPACONLINE.COM

TRIPAC FIG. TP-K WELDED K-SUPPORT

SIZE RANGE-6" THRU 84" PIPE

**MATERIAL-CARBON STEEL,
STAINLESS STEEL**

**FINISHES-PLAIN,
ELECTRO-GALVANIZED,HDG**



DIMENSIONS

PIPE SIZE	SUPPORTING									
	A	B	C	D	PIPE			FLANGE		
					E	F	G	E	F	G
6"	4"	3/8"	5/8"	6"	4-1/2"	8"	8-5/16"	6-1/2"	11"	10-1/2"
8"	4"	3/8"	5/8"	6"	5"	9-1/2"	9-5/16"	7-1/2"	13"	11-3/4"
10"	4"	3/8"	5/8"	6"	6"	11"	10-3/8"	9"	15"	13"
12"	4"	3/8"	5/8"	6"	7"	13"	11-3/8"	10"	17"	14-1/2"
14"	4"	3/8"	5/8"	6"	8"	13"	12"	11"	18"	15-1/2"
16"	4"	3/8"	5/8"	6"	9"	15"	13"	12"	20"	16-3/4"
18"	4"	3/8"	5/8"	6"	10"	16"	14"	13"	21"	17-1/2"
20"	5"	3/8"	5/8"	6"	10"	18"	15"	15"	23"	18-3/4"
22"	5"	3/8"	5/8"	6"	12"	19"	16"	16"	25"	19-3/4"
24"	5"	3/8"	5/8"	6"	13"	21"	17"	16"	26"	21"
26"	5"	3/8"	3/4"	7"	14"	22"	18"	18"	28"	22-1/8"
30"	5"	3/8"	3/4"	7"	16"	25"	20"	20"	31"	24-3/8"
34"	5"	3/8"	3/4"	7"	18"	28"	22"	22"	35"	26-7/8"
36"	6"	3/8"	3/4"	7"	19"	29"	23"	24"	36"	28"
42"	6"	1/2"	1"	8"	21"	33"	26-1/4"	27"	41"	31-3/4"
48"	6"	1/2"	1"	8"	24"	38"	29-1/4"	30"	46"	35"
54"	6"	1/2"	1"	8"	28"	42"	32-1/4"	34"	50"	38-3/8"
60"	6"	1/2"	1-1/8"	8"	32"	46"	35-1/4"	36"	56"	41-3/4"
66"	6"	1/2"	1-1/8"	8"	33"	51"	38-1/4"	40"	61"	45-1/4"
72"	6"	1/2"	1-1/8"	8"	36"	55"	41-1/4"	44"	65"	48-1/2"
84"	10"	3/4"	1-1/2"	12"	48"	74"	47-3/4"	44"	63"	55-5/8"

TRIPAC

475 KLUK CIRCLE • CORONA, CA 92880-6406
(951) 280-4488 • FAX: (951) 272-4445

97

A DIVISION OF TRIPAC MARKETING, INC.

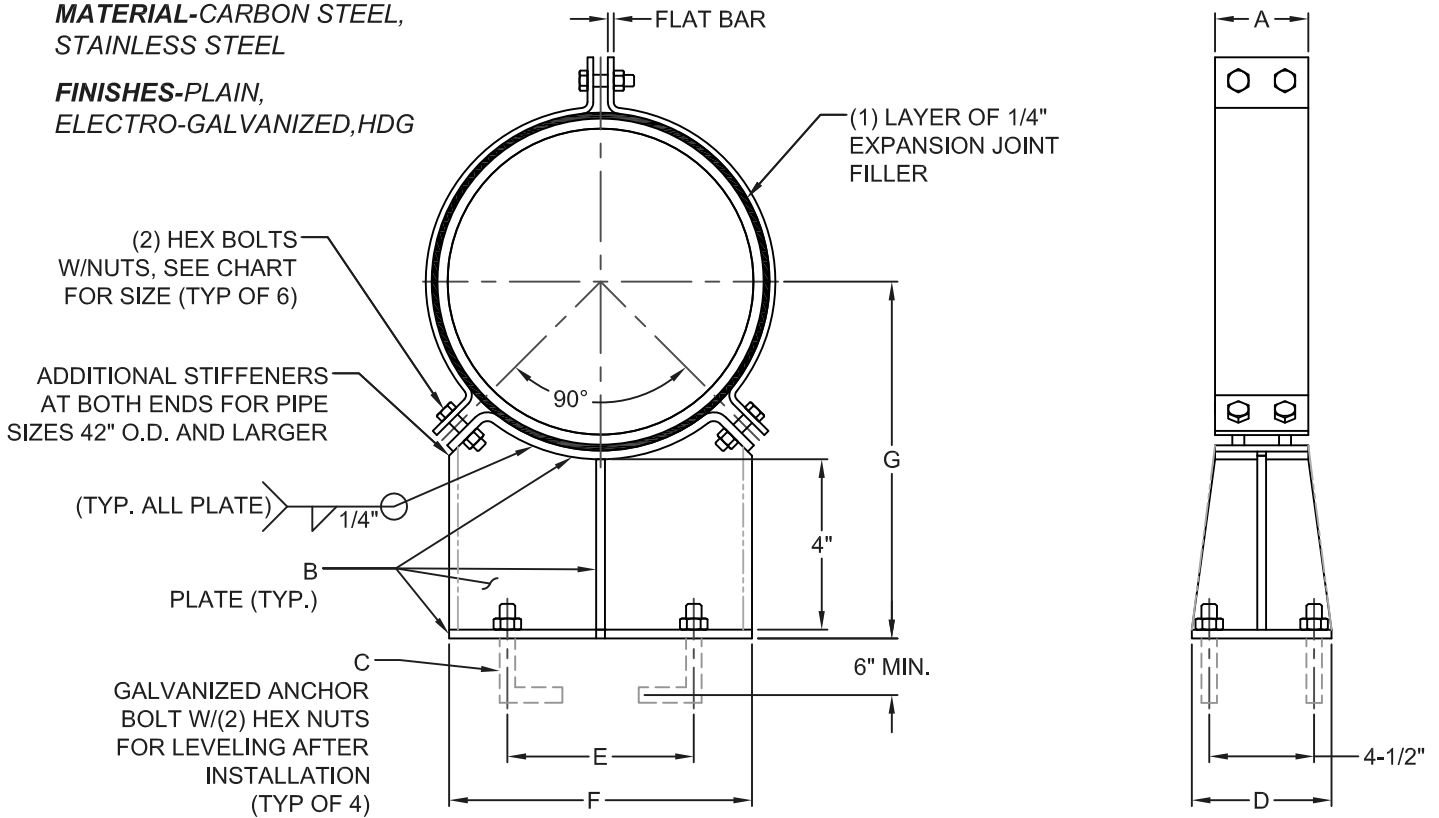
WWW.TRIPACONLINE.COM

TRIPAC FIG. TP-KS WELDED K-SUPPORT WITH STRAPS

SIZE RANGE-6" THRU 84" PIPE

**MATERIAL-CARBON STEEL,
STAINLESS STEEL**

**FINISHES-PLAIN,
ELECTRO-GALVANIZED, HDG**



DIMENSIONS

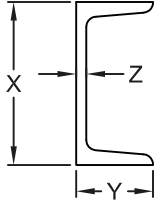
PIPE SIZE	SUPPORTING									STRAP		
	A	B	C	D	PIPE			FLANGE			FLAT BAR	BOLT SIZE
					E	F	G	E	F	G		
6"	4"	3/8"	5/8"	6"	4-1/2"	8"	8-5/16"	6-1/2"	11"	10-1/2"	1/4"	1/2"
8"	4"	3/8"	5/8"	6"	5"	9-1/2"	9-5/16"	7-1/2"	13"	11-3/4"	1/4"	1/2"
10"	4"	3/8"	5/8"	6"	6"	11"	10-3/8"	9"	15"	13"	1/4"	1/2"
12"	4"	3/8"	5/8"	6"	7"	13"	11-3/8"	10"	17"	14-1/2"	1/4"	1/2"
14"	4"	3/8"	5/8"	6"	8"	13"	12"	11"	18"	15-1/2"	1/4"	1/2"
16"	4"	3/8"	5/8"	6"	9"	15"	13"	12"	20"	16-3/4"	1/4"	1/2"
18"	4"	3/8"	5/8"	6"	10"	16"	14"	13"	21"	17-1/2"	1/4"	1/2"
20"	5"	3/8"	5/8"	6"	10"	18"	15"	15"	23"	18-3/4"	3/8"	5/8"
22"	5"	3/8"	5/8"	6"	12"	19"	16"	16"	25"	19-3/4"	3/8"	5/8"
24"	5"	3/8"	5/8"	6"	13"	21"	17"	16"	26"	21"	3/8"	5/8"
26"	5"	3/8"	3/4"	7"	14"	22"	18"	18"	28"	22-1/8"	3/8"	5/8"
30"	5"	3/8"	3/4"	7"	16"	25"	20"	20"	31"	24-3/8"	3/8"	5/8"
34"	5"	3/8"	3/4"	7"	18"	28"	22"	22"	35"	26-7/8"	3/8"	5/8"
36"	6"	3/8"	3/4"	7"	19"	29"	23"	24"	36"	28"	3/8"	3/4"
42"	6"	1/2"	1"	8"	21"	33"	26-1/4"	27"	41"	31-3/4"	3/8"	3/4"
48"	6"	1/2"	1"	8"	24"	38"	29-1/4"	30"	46"	35"	3/8"	3/4"
54"	6"	1/2"	1"	8"	28"	42"	32-1/4"	34"	50"	38-3/8"	3/8"	3/4"
60"	6"	1/2"	1-1/8"	8"	32"	46"	35-1/4"	36"	56"	41-3/4"	3/8"	3/4"
66"	6"	1/2"	1-1/8"	8"	33"	51"	38-1/4"	40"	61"	45-1/4"	3/8"	3/4"
72"	6"	1/2"	1-1/8"	8"	36"	55"	41-1/4"	44"	65"	48-1/2"	3/8"	3/4"
84"	10"	3/4"	1-1/2"	12"	48"	74"	47-3/4"	44"	63"	55-5/8"	3/8"	3/4"

TRIPAC

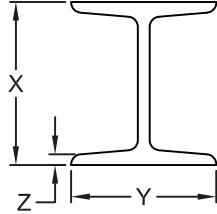
475 KLUK CIRCLE • CORONA, CA 92880-6406
(951) 280-4488 • FAX: (951) 272-4445

BEAM DIMENSIONS

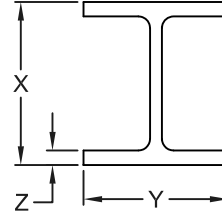
AMERICAN STANDARD CHANNELS-C SHAPES



AMERICAN STANDARD I BEAM-S SHAPES



AMERICAN STANDARD WIDE FLANGE-W SHAPES



DESIGNATION DEPTH & WT. "X" LBS	FLANGE WIDTH "Y"	AVE. THICKNESS "Z"
C3 X 4.1	1-3/8"	.250"
C3 X 5.0	1-1/2"	
C3 X 6.0	1-5/8"	
C4 X 5.4	1-5/8"	.313"
C4 X 7.25	1-3/4"	
C5 X 6.7	1-3/4"	.313"
C5 X 9.0	1-7/8"	
C6 X 8.2	1-7/8"	.375"
C6 X 10.5	2"	
C6 X 13.0	2-1/8"	
C7 X 9.8	2-1/8"	.375"
C7 X 12.25	2-1/4"	
C7 X 14.75	2-1/4"	
C8 X 11.5	2-1/4"	.375"
C8 X 13.75	2-3/8"	
C8 X 18.75	2-1/2"	
C9 X 13.4	2-1/2"	.438"
C9 X 15.0	2-1/2"	
C9 X 20.0	2-5/8"	
C10 X 15.3	2-5/8"	.438"
C10 X 20.0	2-3/4"	
C10 X 25.0	2-7/8"	
C10 X 30.0	3"	
C12 X 20.7	3"	.500"
C12 X 25.0	3"	
C12 X 30.0	3-1/8"	
C15 X 33.9	3-3/8"	.625"
C15 X 40.0	3-1/2"	
C15 X 50.0	3-3/4"	
C18 X 42.7	4"	.625"
C18 X 45.8	4"	
C18 X 51.9	4-1/8"	
C18 X 58.0	4-1/4"	

DESIGNATION DEPTH & WT. "X" LBS	FLANGE WIDTH "Y"	AVE. THICKNESS "Z"
S3 X 5.7	2-3/8"	.250"
S3 X 7.5	2-1/2"	
S4 X 7.7	2-5/8"	.313"
S4 X 9.5	2-3/4"	
S5 X 10.0	3"	.313"
S5 X 14.75	3-1/4"	
S6 X 12.5	3-3/8"	.375"
S6 X 17.25	3-5/8"	
S7 X 15.3	3-5/8"	.375"
S7 X 20.0	3-7/8"	
S8 X 18.4	4"	.438"
S8 X 23.0	4-1/8"	
S10 X 25.4	4-5/8"	.500"
S10 X 35.0	5"	
S12 X 31.8	5"	.563"
S12 X 35.0	5-1/8"	
S12 X 40.8	5-1/4"	.688"
S12 X 50.0	5-1/2"	
S15 X 42.9	5-1/2"	.625"
S15 X 50.0	5-5/8"	
S18 X 54.7	6"	.688"
S18 X 70.0	6-1/4"	
S20 X 66.0	6-1/4"	.813"
S20 X 75.0	6-3/8"	
S20.3 X 86.0	7"	.938"
S20.3 X 96.0	7-1/4"	
S24 X 80.0	7"	.875"
S24 X 90.0	7-1/8"	
S24 X 100.0	7-1/4"	

DESIGNATION DEPTH & WT. "X" LBS	FLANGE WIDTH "Y"	AVE. THICKNESS "Z"
W4 X 13	4"	.375"
W5 X 19	5"	.430"
W6 X 25	5-1/8"	.455"
W8 X 18	5-1/4"	.330"
W8 X 21	5-1/4"	.400"
W8 X 24	6-1/2"	.400"
W8 X 28	6-1/2"	.465"
W8 X 31	8"	.435"
W8 X 35	8"	.495"
W8 X 40	8-1/8"	.560"
W8 X 48	8-1/8"	.685"
W8 X 58	8-1/4"	.810"
W8 X 67	8-1/4"	.935"
W10 X 22	5-3/4"	.360"
W10 X 26	5-3/4"	.440"
W10 X 33	8"	.435"
W10 X 39	8"	.530"
W10 X 45	8"	.620"
W10 X 49	10"	.560"
W10 X 54	10"	.615"
W10 X 60	10-1/8"	.680"
W10 X 68	10-1/8"	.770"
W10 X 77	10-1/4"	.870"
W10 X 88	10-1/4"	.990"
W12 X 26	6-1/2"	.380"
W12 X 30	6-1/2"	.440"
W12 X 35	6-1/2"	.520"
W12 X 40	8"	.515"
W12 X 45	8"	.575"
W12 X 50	8-1/8"	.640"
W12 X 53	10"	.575"
W12 X 58	10"	.640"
W12 X 65	12"	.605"
W12 X 72	12"	.670"
W12 X 79	12-1/8"	.735"
W12 X 87	12-1/8"	.810"
W12 X 96	12-1/8"	.900"
W12 X 106	12-1/4"	.990"
W14 X 30	6-3/4"	.385"
W14 X 34	6-3/4"	.455"
W14 X 38	6-3/4"	.515"
W14 X 43	8"	.530"
W14 X 48	8"	.595"
W14 X 53	8"	.660"
W14 X 61	10"	.645"
W14 X 68	10"	.720"
W14 X 74	10-1/8"	.785"
W14 X 82	10-1/8"	.855"
W14 X 90	14-1/2"	.710"

DESIGNATION DEPTH & WT. "X" LBS	FLANGE WIDTH "Y"	AVE. THICKNESS "Z"
W14 X 99	14-5/8"	.780"
W14 X 109	14-5/8"	.860"
W14 X 120	14-5/8"	.940"
W14 X 132	14-3/4"	1.030"
W16 X 36	7"	.630"
W16 X 40	7"	.505"
W16 X 45	7"	.565"
W16 X 50	7-1/8"	.630"
W16 X 57	7-1/8"	.715"
W16 X 67	10-1/4"	.665"
W16 X 77	10-1/4"	.760"
W16 X 89	10-3/8"	.875"
W16 X 100	10-3/8"	.985"
W18 X 50	7-1/2"	.570"
W18 X 55	7-1/2"	.630"
W18 X 60	7-1/2"	.695"
W18 X 65	7-5/8"	.750"
W18 X 71	7-5/8"	.810"
W18 X 76	11"	.680"
W18 X 86	11-1/8"	.770"
W18 X 97	11-1/8"	.870"
W18 X 106	11-1/4"	.940"
W21 X 62	8-1/4"	.615"
W21 X 68	8-1/4"	.685"
W21 X 73	8-1/4"	.740"
W21 X 83	8-3/8"	.835"
W21 X 93	8-3/8"	.930"
W21 X 101	12-1/4"	.800"
W21 X 111	12-3/8"	.875"
W21 X 122	12-3/8"	.960"
W24 X 76	9"	.680"
W24 X 84	9"	.770"
W24 X 94	9-1/8"	.875"
W24 X 104	12-3/4"	.750"
W24 X 117	12-3/4"	.850"
W24 X 131	12-7/8"	.960"
W27 X 94	10"	.745"
W27 X 102	10"	.830"
W27 X 114	10-1/8"	.930"
W27 X 146	14"	.975"
W30 X 108	10-1/2"	.760"
W30 X 116	10-1/2"	.850"
W30 X 134	10-1/2"	.930"
W30 X 132	10-1/2"	1.000"
W33 X 118	11-1/2"	.740"
W33 X 130	11-1/2"	.855"
W33 X 141	11-1/2"	.960"
W36 X 135	12"	.790"
W36 X 150	12"	.940"



DECIMALS OF AN INCH

FRACTION	DECIMAL
1/32"	.0312"
1/16"	.0625"
3/32"	.0937"
1/8"	.1250"
5/32"	.1562"
3/16"	.1875"
7/32"	.2187"
1/4"	.2500"
9/32"	.2812"
5/16"	.3125"
11/32"	.3437"
3/8"	.3750"
13/32"	.4062"
7/16"	.4375"
15/32"	.4687"
1/2"	.5000"

FRACTION	DECIMAL
17/32"	.5312"
9/16"	.5625"
19/32"	.5937"
5/8"	.6250"
21/32"	.6562"
11/16"	.6875"
23/32"	.7187"
3/4"	.7500"
25/32"	.7812"
13/16"	.8125"
27/32"	.8437"
7/8"	.8750"
29/32"	.9062"
15/16"	.9375"
31/32"	.9687"
1"	1.0000"

DECIMALS OF A FOOT

INCH	0"	1"	2"	3"	4"	5"	6"	7"	8"	9"	10"	11"
0"	0'	.0833'	.1667'	.2500'	.3330'	.4167'	.5000'	.5833'	.6667'	.7500'	.8333'	.9167'
1/16"	.0052'	.0885'	.1719'	.2552'	.3385'	.4219'	.5052'	.5885'	.6719'	.7552'	.8385'	.9219'
1/8"	.0104'	.0938'	.1771'	.2604'	.3438'	.4271'	.5104'	.5938'	.6771'	.7604'	.8438'	.9271'
3/16"	.0156'	.0990'	.1823'	.2656'	.3490'	.4323'	.5156'	.5990'	.6823'	.7656'	.8490'	.9323'
1/4"	.0208'	.1042'	.1875'	.2708'	.3542'	.4375'	.5208'	.6042'	.6875'	.7708'	.8542'	.9375'
5/16"	.0260'	.1094'	.1927'	.2760'	.3594'	.4427'	.5260'	.6094'	.6927'	.7760'	.8594'	.9427'
3/8"	.0313'	.1146'	.1979'	.2812'	.3646'	.4479'	.5313'	.6146'	.6979'	.7813'	.8646'	.9479'
7/16"	.0365'	.1198'	.2031'	.2891'	.3724'	.4557'	.5391'	.6224'	.7057'	.7891'	.8724'	.9557'
1/2"	.0417'	.1250'	.2083'	.2917'	.3750'	.4583'	.5417'	.6250'	.7083'	.7917'	.8750'	.9583'
9/16"	.0469'	.1302'	.2135'	.2969'	.3802'	.4635'	.5469'	.6302'	.7135'	.7969'	.8802'	.9635'
5/8"	.0521'	.1354'	.2188'	.3021'	.3854'	.4688'	.5521'	.6354'	.7188'	.8021'	.8854'	.9688'
11/16"	.0573'	.1406'	.2240'	.3073'	.3906'	.4740'	.5573'	.6406'	.7240'	.8073'	.8906'	.9740'
3/4"	.0625'	.1458'	.2292'	.3125'	.3958'	.4792'	.5625'	.6458'	.7292'	.8125'	.8958'	.9792'
13/16"	.0677'	.1510'	.2344'	.3177'	.4010'	.4844'	.5677'	.6510'	.7344'	.8177'	.9010'	.9844'
7/8"	.0729'	.1563'	.2396'	.3229'	.4063'	.4896'	.5729'	.6563'	.7396'	.8229'	.9063'	.9896'
15/16"	.0781'	.1615'	.2448'	.3281'	.4118'	.4948'	.5781'	.6615'	.7448'	.8281'	.9115'	.9948'



PIPE DATA

CAST IRON PIPE DATA AMERICAN WATER WORKS ASSN. (AWWA)

MECHANICAL JOINT PIPE CLASS 150, APPROXIMATELY SAME WEIGHT FOR BELL & SPIGOT. FLANGE CAST IRON PIPE ADD WEIGHT OF FLANGES.

PIPE SIZE	O.D. C.I. PIPE	WALL THICK.	WT. PER FOOT	WT. OF WATER PER FT. / LBS.
3"	3.96"	.32"	12.2	3.73
4"	4.80"	.35"	16.4	5.72
6"	6.90"	.38"	25.7	12.80
8"	9.05"	.41"	36.7	23.10
10"	11.10"	.44"	48.7	35.50
12"	13.20"	.48"	62.9	51.00
14"	15.30"	.51"	78.8	69.30
16"	17.40"	.54"	95.0	90.30
18"	19.50"	.58"	114.7	114.00
20"	21.60"	.62"	135.9	141.50
24"	25.80"	.73"	190.4	201.00
30"	32.00"	.85"	277.3	312.00
36"	38.30"	.94"	368.9	449.00
42"	44.50"	1.05"	479.1	612.00
48"	50.80"	1.14"	595.2	803.00

STANDARD NO HUB "SOIL PIPE"

PIPE SIZE	O.D.	I.D.
2"	2.25"	1.89"
3"	3.25"	2.89"
4"	4.25"	3.89"
5"	5.25"	4.87"
6"	6.25"	5.85"
8"	8.38"	7.94"
10"	10.50"	9.98"

EXTRA HEAVY "SOIL PIPE"

PIPE SIZE	O.D.	I.D.
2"	2.38"	2.00"
3"	3.50"	3.00"
4"	4.50"	4.00"
5"	5.50"	5.00"
6"	6.50"	6.00"
8"	8.62"	8.00"
10"	10.75"	10.00"

SDR-35 GRAVITY SEWER PIPE

PIPE SIZE (NOM.)	ACTUAL O.D. (INCHES)
4"	4.22"
6"	6.28"
8"	8.40"
10"	10.50"
12"	12.50"
15"	15.30"
18"	18.70"
21"	22.05"
24"	24.80"
27"	27.95"
30"	32.00"



STEEL PIPE DATA

SCHEDULE 40 & 80

PIPE SIZE	SCHED. NO.	O.D.	WALL THICKNESS	WT. PER FOOT	WATER WEIGHT PER FT. / LBS	PIPE SIZE	SCHED. NO.	O.D.	WALL THICKNESS	WT. PER FOOT	WATER WEIGHT PER FT. / LBS
3/8"	40	.675"	.091"	.567	.083	5"	40	5.563"	.258"	14.620	8.660
	80		.126"	.738	.061		80		.375"	20.780	7.870
1/2"	40	.840"	.109"	.850	.132	6"	40	6.625"	.280"	18.970	12.510
	80		.147"	1.087	.101		80		.432"	28.570	11.290
3/4"	40	1.050"	.113"	1.130	.230	8"	40	8.625"	.322"	28.550	21.600
	80		.154"	1.473	.186		80		.500"	43.390	19.800
1"	40	1.315"	.133"	1.678	.374	10"	40	10.750"	.365"	40.480	34.100
	80		.179"	2.171	.311		80		.593"	64.400	31.100
1-1/4"	40	1.660"	.140"	2.272	.647	12"	40	12.750"	.406"	53.600	48.500
	80		.191"	2.996	.555		80		.687"	88.600	44.000
1-1/2"	40	1.900"	.145"	2.717	.882	14"	40	14.000"	.437"	63.000	58.500
	80		.200"	3.631	.765		80		.750"	107.000	51.200
2"	40	2.375"	.154"	3.652	1.452	16"	40	16.000"	.500"	83.000	76.500
	80		.218"	5.022	1.279		80		.843"	137.000	69.700
2-1/2"	40	2.875"	.203"	5.790	2.072	18"	40	18.000"	.563"	105.000	97.200
	80		.276"	7.660	1.834		80		.937"	171.000	88.500
3"	40	3.500"	.216"	7.570	3.200	20"	40	20.000"	.593"	123.000	120.400
	80		.300"	10.250	2.860		80		1.031"	209.000	109.400
3-1/2"	40	4.000"	.226"	9.110	4.280	24"	40	24.000"	.687"	171.000	174.200
	80		.318"	12.510	3.850		80		1.218"	297.000	158.200
4"	40	4.500"	.237"	10.790	5.510	30"	20	30.000"	.500"	158.000	286.000
	80		.337"	14.980	4.980	36"	API	36.000"	.500"	190.000	417.000

COPPER TUBE DATA

TYPE L

NOM. TUBE SIZE	O.D. TUBING	O.D.	WALL THICKNESS	WT. PER FOOT	WATER WEIGHT PER FT. / LBS
1/4"	3/8"	.375"	.030"	.126	.034
3/8"	1/2"	.500"	.035"	.198	.062
1/2"	5/8"	.625"	.040"	.285	.100
5/8"	3/4"	.750"	.042"	.362	.151
3/4"	7/8"	.875"	.045"	.455	.209
1"	1-1/8"	1.125"	.050"	.655	.357
1-1/4"	1-3/8"	1.375"	.055"	.884	.546
1-1/2"	1-5/8"	1.625"	.060"	1.140	.767
2"	2-1/8"	2.125"	.070"	1.750	1.341
2-1/2"	2-5/8"	2.625"	.080"	2.480	2.064
3"	3-1/8"	3.125"	.090"	3.330	2.949
3-1/2"	3-5/8"	3.625"	.100"	4.290	3.989
4"	4-1/8"	4.125"	.110"	5.380	5.188
5"	5-1/8"	5.125"	.125"	7.610	8.081
6"	6-1/8"	6.125"	.140"	10.200	11.616

TYPE K

NOM. TUBE SIZE	O.D. TUBING	O.D.	WALL THICKNESS	WT. PER FOOT	WATER WEIGHT PER FT. / LBS
1/4"	3/8"	.375"	.035"	.145	.032
3/8"	1/2"	.500"	.049"	.269	.055
1/2"	5/8"	.625"	.049"	.344	.094
5/8"	3/4"	.750"	.049"	.418	.144
3/4"	7/8"	.875"	.065"	.641	.188
1"	1-1/8"	1.125"	.065"	.839	.337
1-1/4"	1-3/8"	1.375"	.065"	1.040	.527
1-1/2"	1-5/8"	1.625"	.072"	1.360	.743
2"	2-1/8"	2.125"	.083"	2.050	1.310
2-1/2"	2-5/8"	2.625"	.095"	2.920	2.000
3"	3-1/8"	3.125"	.109"	4.000	2.960
3-1/2"	3-5/8"	3.625"	.120"	5.120	3.900
4"	4-1/8"	4.125"	.134"	6.510	5.060
5"	5-1/8"	5.125"	.160"	9.670	8.000
6"	6-1/8"	6.125"	.192"	13.870	11.200



TRIPAC SUPPORT CROSS REFERENCE CHART

TRIPAC	GRINNELL & ANVIL	B-LINE	ERICO	PHD	SUPER STRUT	CARPENTER & PATERSON	EMPIRE INDUSTRIES
TP-1	260	B3100	400	450	C710	100	11
TP-1A	300	B3108	415	430	CX710	100EL	11X
TP-1C.I.	590	B3102	405	420	CI1710	100C.I.	11CI
TP-1F	-	B3100F	400FL	450F	C710F	-	-
TP-1LD	65	B3104	410	440	CL710	200	110
TP-1LDF	-	B3104F	410FL	440F	-	-	-
TP-1PVC	-	B3100C	420	453	C710P	100PVC	110PC
TP-1LDPVC	-	B3104C	-	-	-	-	-
TP-1V	-	B3106	-	450V	-	200VT	11V
TP-1VT	-	-	-	-	-	-	-
TP-2	-	B3170	100	151	C727	800	31
TP-2WON	-	B3172	105	180	C727	-	-
TP-4	212	B3140	450	520	C725	175	212
TP-4A	212FP	-	-	-	-	-	-
TP-4B	-	-	-	-	-	-	-
TP-4C.I.	-	-	-	-	-	-	-
TP-4H	216	B3142	451	522	-	298	216
TP-5	295	B3144	452	525	C726	304	189
TP-5H	-	-	-	-	-	-	-
TP-6	261	B3373	510	550	C720	126	50
TP-7	103	B3148	700	535	C720L	179	95
TP-8	100	B3149	705	545	CX725	267	97
TP-9	600	B3132	517	580	C724	159	97
TP-9X	599	B3132W	516	585	W724	258	599
TP-14	595	B3134	-	590	-	158DB	595
TP-14X	594	B3134W	-	595	-	260	75
TP-20	262	B3180	-	825	164	114	231
TP-20S	-	B3256	-	830	-	-	180
TP-30	194	B3068	348	-	C736	69	820
TP-30L	-	-	351	850	-	-	-
TP-30M	195	B3066	352	855	C739M	84	801
TP-30H	199	B3067	353	860	C739H	139	802
TP-31 M	-	-	-	-	-	-	-
TP-31 O	-	-	-	-	-	-	-
TP-32	-	B3147	712	840	RCS	127	-
TP-33	47	B3084	373	-	-	-	-
TP-34	49	B3086	374	904	-	-	67
TP-35	52	B3085	374A	903	-	-	68
TP-42	-	-	319	910	-	152	53
TP-50	202	B3060	325	-	540	303	202
TP-51	206	-	-	-	AB201	-	-
TP-52	-	B3070	326	925	542	-	-
TP-62	133-134	B3050	361	610, 620	C755T-C757T	15	218
TP-64	95	B351L	200	250	C775L	238	21L
TP-65	92	-	300	350	C777	192	62
TP-66	93	B3033	310	-	C778	-	61
TP-68	93	B3033	-	360	M778	-	-
TP-69	89, 87	B3367	255C	359	U568	18	22R
TP-100	-	-	-	-	-	-	-
TP-101	278	B3211	40W	55	E157	93	26W
TP-101L	278X	B3211X	-	-	-	341	-
TP-102	248	B3210	40	50	E156	22	26
TP-102L	248X	B3210X	-	-	-	306	-
TP-107	-	-	-	70	-	177	77
TP-107F	-	-	-	-	-	-	-
TP-110	137	B3188	150	90	H115	283	137
TP-111	120	B3501	-	95, 110	HL115	222	-
TP-116	-	B3234	-	135	-	706	72
TP-118	60	B3248	340	960	C781	102	75



TRIPAC SUPPORT CROSS REFERENCE CHART

TRIPAC	GRINNELL & ANVIL	B-LINE	ERICO	PHD	SUPER STRUT	CARPENTER & PATERSON	EMPIRE INDUSTRIES
TP-150	-	-	-	-	-	-	-
TP-200	-	-	-	-	-	-	-
TP-220	167	B3151	125	170	C790	265P	167
TP-260 1	160	B3160	630	651	C789	351	1900
TP-261 1-1/2	161	B3161	631	653	C789A	352	1901
TP-262 2	162	B3162	632	654	C789B	353	1902
TP-263 2-1/2	163	B3163	633	655	C789C	354	1903
TP-264 3	164	B3164	634	656	C789D	355	1904
TP-265 4	165	B3165	635	658	C789E	356	1905
TP-271	-	B3121	621	-	C729-2 1/2	110	271
TP-272	181	B3110	610	470	C729-2	140	272
TP-273	177	B3122	620	480	RC729	109	274
TP-275	175	B3120	615	460	CR729A	39	275
TP-277	171	B3114R	605	490	-	-	277
TP-279	271	B3117SL	617	486	C730C	-	279S
TP-280	274	B3118SL	619	487	C730D	53	280S
TP-304	66	B3083WO	320L	900-1	C789W/O	-	-
TP-305	66	B3083WO	320W	900	C780W/HW	-	-
TP-309	181	B3014	282	950	-	-	-
TP-309N	-	B3014N	282N	950N	-	650-266-75	-
TP-310	282	B2500	355	-	452	-	-
TP-310N	285N	N2500	35N	-	AB102	-	-
TP-330	290	B3200	35	35	E120A	-	131
TP-331	230	B3202	30	960	F112	132	320
TP-332	299	B3201	31	38	F111	276	909
TP-335	217	B3045	369	-	C769	92	156
TP-336	14	B3040	363	635	-	14	155
TP-337	-	B3082	321	-	C747	-	-
TP-343	55	B3080	371	936	-	220	69
TP-405	-	B3256	-	-	-	-	-
TP-406	-	B3257	-	-	-	-	-
TP-420	-	-	650	-	-	-	-
TP-421	256	B3281	651	670-678	PG794	-	-
TP-422	255	-	-	-	-	-	-
TP-422C	-	-	-	-	-	-	-
TP-426	257	B3891	640	690	-	-	4000 SERIES
TP-426G	-	-	-	-	-	-	-
TP-426C	-	-	-	-	-	-	-
TP-426A	-	-	-	-	-	-	-
TP-426AG	-	-	-	-	-	-	-
TP-426AC	-	-	-	-	-	-	-
TP-427	436	-	-	-	-	-	-
TP-428	437	-	-	-	-	-	-
TP-429	438-1	B3891	640-1	690-1	-	-	4100 SERIES
TP-430	438-2	B3892	640-2	690-2	-	-	-
TP-431	438-3	B3893	640-3	690-3	-	-	-
TP-433	-	-	-	-	-	-	-
TP-434	-	-	-	-	-	-	-
TP-811	-	-	-	-	-	-	-
TP-814	-	-	-	-	-	-	-
TP-816	-	B3088	-	-	-	-	-
TP-816T	-	B3088T	-	871	-	-	-
TP-817	-	B3095	720	880	-	-	420
TP-818	259	B3090	721	882	C785	125	427
TP-819	-	-	-	-	-	-	-
TP-900	-	-	-	-	-	-	-
TP-980	-	-	-	-	-	-	-
TP-K	-	-	-	-	-	-	-
TP-KS	-	-	-	-	-	-	-



ANVIL / GRINNELL TO TRIPAC CROSS REFERENCE CHART

ANVIL / GRINNELL	TRIPAC	ANVIL / GRINNELL	TRIPAC
14	TP-336	438-2	TP-430
47	TP-33	438-3	TP-431
49	TP-34	590	TP-1C.I.
52	TP-35	594	TP-14X
55	TP-343	595	TP-14
60	TP-118	599	TP-9X
65	TP-1LD	600	TP-9
66	TP-305	-	TP-1F
89, 87	TP-69	-	TP-1LDF
92	TP-65	-	TP-1PVC
93	TP-66	-	TP-1LDPVC
95	TP-64	-	TP-1V
100	TP-8	-	TP-1VT
103	TP-7	-	TP-2
120	TP-111	-	TP-2WON
133-134	TP-62	-	TP-4B
137	TP-110	-	TP-4C.I.
160	TP-260 1	-	TP-5H
161	TP-261 1 1/2	-	TP-20S
162	TP-262 2	-	TP-30L
163	TP-263 2 1/2	-	TP-31M
164	TP-264 3	-	TP-31O
165	TP-265 4	-	TP-32
167	TP-220	-	TP-42
171	TP-277	-	TP-52
175	TP-275	-	TP-68
177	TP-273	-	TP-100
181	TP-272	-	TP-107
194	TP-30	-	TP-107F
195	TP-30M	-	TP-116
199	TP-30H	-	TP-150
202	TP-50	-	TP-200
206	TP-51	-	TP-271
212	TP-4	-	TP-304
212FP	TP-4A	-	TP-310
216	TP-4H	-	TP-337
217	TP-335	-	TP-405
230	TP-331	-	TP-406
248	TP-102	-	TP-420
248X	TP-102L	-	TP-422C
255	TP-422	-	TP-426G
256	TP-421	-	TP-426C
257	TP-426	-	TP-426A
259	TP-818	-	TP-426AG
260	TP-1	-	TP-426AC
261	TP-6	-	TP-433
262	TP-20	-	TP-434
271	TP-279	-	TP-811
274	TP-280	-	TP-814
278	TP-101	-	TP-816
278X	TP-101L	-	TP-816T
282	TP-309, TP-309N	-	TP-817
285N	TP-310N	-	TP-819
290	TP-330	-	TP-816T
295	TP-5	-	TP-817
299	TP-332	-	TP-819
300	TP-1A	-	TP-900
436	TP-427	-	TP-980
437	TP-428	-	TP-K
438-1	TP-429	-	TP-KS



B-LINE TO TRIPAC CROSS REFERENCE CHART

B-LINE	TRIPAC	B-LINE	TRIPAC
B2500	TP-310	B3180	TP-20
N2500	TP-310N	B3188	TP-110
B3014	TP-309	B3200	TP-330
B3014N	TP-309N	B3201	TP-332
B3033	TP-66, TP-68	B3202	TP-331
B3040	TP-336	B3210	TP-102
B3045	TP-335	B3210X	TP-102L
B3050	TP-62	B3211	TP-101
B3060	TP-50	B3211X	TP-101L
B3066	TP-30M	B3234	TP-116
B3067	TP-30H	B3248	TP-118
B3068	TP-30	B3256	TP-405
B3070	TP-52	B3257	TP-406
B3080	TP-343	B3281	TP-421
B3082	TP-337	B3367	TP-69
B3083WO	TP-304	B3373	TP-6
B3083	TP-305	B3501	TP-111
B3084	TP-33	B351L	TP-64
B3085	TP-35	B3891	TP-426, TP-429
B3086	TP-34	B3892	TP-430
B3088	TP-816	B3893	TP-431
B3088T	TP-816T	-	TP-1VT
B3090	TP-818	-	TP-4A
B3095	TP-817	-	TP-4B
B3100	TP-1	-	TP-4C.I.
B3100C	TP-1PVC	-	TP-5H
B3100F	TP-1F	-	TP-20S
B3102	TP-1C.I.	-	TP-30L
B3104	TP-1LD	-	TP-31M
B3104C	TP-1LDPVC	-	TP-31O
B3104F	TP-1LDF	-	TP-42
B3106	TP-1V	-	TP-51
B3108	TP-1A	-	TP-65
B3110	TP-272	-	TP-66
B3114	TP-277	-	TP-100
B3117SL	TP-279	-	TP-107
B3118SL	TP-280	-	TP-107F
B3120	TP-275	-	TP-150
B3121	TP-271	-	TP-200
B3122	TP-273	-	TP-420
B3132	TP-9	-	TP-422
B3132W	TP-9X	-	TP-422C
B3134	TP-14	-	TP-426G
B3134W	TP-14X	-	TP-426C
B3140	TP-4	-	TP-426A
B3142	TP-4H	-	TP-426AG
B3144	TP-5	-	TP-426AC
B3147	TP-32	-	TP-427
B3148	TP-7	-	TP-428
B3149	TP-8	-	TP-429
B3151	TP-220	-	TP-433
B3160	TP-260 1	-	TP-434
B3161	TP-261 1 1/2	-	TP-811
B3162	TP-262 2	-	TP-814
B3163	TP-263 2 1/2	-	TP-819
B3164	TP-264 3	-	TP-900
B3165	TP-265 4	-	TP-980
B3170	TP-2	-	TP-K
B3172	TP-2WON	-	TP-KS



ERICO TO TRIPAC CROSS REFERENCE CHART

ERICO	TRIPAC	ERICO	TRIPAC
30	TP-331	633	TP-263 2 1/2
31	TP-332	634	TP-264 3
35	TP-330	635	TP-265 4
40	TP-102	640	TP-426
40W	TP-101	640-1	TP-429
100	TP-2	640-2	TP-430
105	TP-2WON	640-3	TP-431
125	TP-220	650	TP-420
150	TP-110	651	TP-421
200	TP-64	700	TP-7
255C	TP-69	705	TP-8
282	TP-309	712	TP-32
282N	TP-309N	720	TP-817
300	TP-65	721	TP-818
310	TP-66	-	TP-1LDPVC
319	TP-20	-	TP-1V
320L	TP-304	-	TP-1VT
320W	TP-305	-	TP-4A
321	TP-337	-	TP-4B
325	TP-50	-	TP-4C.I.
326	TP-52	-	TP-5H
340	TP-118	-	TP-14
348	TP-30	-	TP-14X
351	TP-30L	-	TP-20S
352	TP-30M	-	TP-31M
353	TP-30H	-	TP-31O
355	TP-310	-	TP-51
355N	TP-310N	-	TP-68
361	TP-62	-	TP-100
363	TP-336	-	TP-101L
367	TP-335	-	TP-102L
371	TP-343	-	TP-107
373	TP-33	-	TP-107F
374	TP-34	-	TP-111
374A	TP-35	-	TP-116
400	TP-1	-	TP-150
400FL	TP-1F	-	TP-200
405	TP-1C.I.	-	TP-405
410	TP-1LD	-	TP-406
410FL	TP-1LDF	-	TP-422
415	TP-1A	-	TP-422C
420	TP-1PVC	-	TP-426G
450	TP-4	-	TP-426C
451	TP-4H	-	TP-426A
452	TP-5	-	TP-426AG
470	TP-20	-	TP-426AC
510	TP-6	-	TP-427
516	TP-9X	-	TP-428
517	TP-9	-	TP-433
605	TP-277	-	TP-434
610	TP-272	-	TP-811
615	TP-275	-	TP-814
617	TP-279	-	TP-816
619	TP-280	-	TP-816T
620	TP-273	-	TP-819
621	TP-271	-	TP-900
630	TP-260 1	-	TP-980
631	TP-261 1 1/2	-	TP-K
632	TP-262 2	-	TP-KS



PHD TO TRIPAC CROSS REFERENCE CHART

PHD	TRIPAC	PHD	TRIPAC
35	TP-330	882	TP-818
38	TP-332	900	TP-305
50	TP-102	900-1	TP-304
55	TP-101	903	TP-35
70	TP-107	904	TP-34
90	TP-110	910	TP-42
95, 110	TP-111	925	TP-52
135	TP-116	930	TP-118
151	TP-2	936	TP-343
170	TP-220	950	TP-309
180	TP-2WON	950N	TP-309N
250	TP-64	960	TP-331
350	TP-65	-	TP-1LDPVC
359	TP-69	-	TP-1VT
360	TP-68	-	TP-4A
420	TP-1C.I.	-	TP-4B
430	TP-1A	-	TP-4C.I.
440	TP-1LD	-	TP-5H
440F	TP-1LDF	-	TP-30
450	TP-1	-	TP-31M
450F	TP-1F	-	TP-31O
450V	TP-1V	-	TP-33
453	TP-1PVC	-	TP-50
460	TP-275	-	TP-51
470	TP-272	-	TP-66
480	TP-273	-	TP-100
486	TP-279	-	TP-101L
487	TP-280	-	TP-102L
490	TP-277	-	TP-107F
520	TP-4	-	TP-150
522	TP-4H	-	TP-200
525	TP-5	-	TP-271
535	TP-7	-	TP-310
545	TP-8	-	TP-310N
550	TP-6	-	TP-335
580	TP-9	-	TP-337
585	TP-9X	-	TP-405
590	TP-14	-	TP-406
595	TP-14X	-	TP-420
610, 620	TP-62	-	TP-422
635	TP-336	-	TP-422C
651	TP-260 1	-	TP-426G
653	TP-261 1 1/2	-	TP-426C
654	TP-262 2	-	TP-426A
655	TP-263 2 1/2	-	TP-426SG
656	TP-264 3	-	TP-426AC
658	TP-265 4	-	TP-427
690	TP-426	-	TP-428
690-1	TP-429	-	TP-433
690-2	TP-430	-	TP-434
690-3	TP-431	-	TP-811
825	TP-20	-	TP-814
830	TP-20S	-	TP-816
840	TP-32	-	TP-819
850	TP-30L	-	TP-900
855	TP-30M	-	TP-980
860	TP-30H	-	TP-K
871	TP-816T	-	TP-KS
880	TP-817	-	-



SUPER STRUT TO TRIPAC CROSS REFERENCE CHART

SUPER STRUT	TRIPAC	SUPER STRUT	TRIPAC
AB102	TP-310N	-	TP-1V
F111	TP-332	-	TP-1VT
F112	TP-331	-	TP-4A
H115	TP-110	-	TP-4B
HL115	TP-111	-	TP-4C.I.
E120A	TP-330	-	TP-4H
E156	TP-102	-	TP-5H
E157	TP-101	-	TP-14
164	TP-20	-	TP-14X
AB201	TP-51	-	TP-20S
452	TP-310	-	TP-30L
540	TP-50	-	TP-31M
542	TP-52	-	TP-31O
U568	TP-69	-	TP-33
C710	TP-1	-	TP-34
C710F	TP-1F	-	TP-35
C710P	TP-1PVC	-	TP-42
CI710	TP-1C.I.	-	TP-100
CL710	TP-1LD	-	TP-101L
CX710	TP-1A	-	TP-102L
C720	TP-6	-	TP-107
C720L	TP-7	-	TP-107F
C724	TP-9	-	TP-116
W724	TP-9X	-	TP-150
C725	TP-4	-	TP-200
CX725	TP-8	-	TP-277
C726	TP-5	-	TP-309
C727	TP-2, TP-2WON	-	TP-309N
C729-2	TP-272	-	TP-336
C729-2 1/2	TP-271	-	TP-343
CR729A	TP-275	-	TP-405
RC729	TP-273	-	TP-406
C730C	TP-279	-	TP-420
C730D	TP-280	-	TP-422
C736	TP-30	-	TP-422C
C739H	TP-30H	-	TP-426
C739M	TP-30M	-	TP-426G
C747	TP-337	-	TP-426C
C755T-C757T	TP-62	-	TP-426A
C777	TP-65	-	TP-426AG
C769	TP-335	-	TP-426AC
C775L	TP-64	-	TP-427
C778	TP-66	-	TP-428
M778	TP-68	-	TP-429
C780W/HW	TP-305	-	TP-430
C780W/O	TP-304	-	TP-431
C781	TP-118	-	TP-433
C785	TP-818	-	TP-434
C789	TP-260 1	-	TP-811
C789A	TP-260 1 1/2	-	TP-814
C789B	TP-262 2	-	TP-816
C789C	TP-263 2 1/2	-	TP-816T
C789D	TP-264 3	-	TP-817
C789E	TP-265 4	-	TP-819
C790	TP-220	-	TP-900
PG794	TP-421	-	TP-980
RCS	TP-32	-	TP-K
-	TP-1LDF	-	TP-KS
-	TP-1LDPVC	-	-



CARPENTER & PATERSON TO TRIPAC CROSS REFERENCE CHART

CARPENTER & PATERSON	TRIPAC	CARPENTER & PATERSON	TRIPAC
14	TP-336	-	TP-1VT
15	TP-62	-	TP-2WON
18	TP-69	-	TP-4A
33	TP-102	-	TP-4B
39	TP-275	-	TP-4C.I.
53	TP-280	-	TP-5H
69	TP-30	-	TP-20S
84	TP-30M	-	TP-30L
92	TP-335	-	TP-31M
93	TP-101	-	TP-31O
100	TP-1	-	TP-33
100C.I.	TP-1C.I.	-	TP-34
100EL	TP-1A	-	TP-35
100PVC	TP-1PVC	-	TP-51
102	TP-118	-	TP-52
109	TP-273	-	TP-66
110	TP-271	-	TP-68
114	TP-20	-	TP-100
125	TP-818	-	TP-107F
126	TP-6	-	TP-150
127	TP-32	-	TP-200
132	TP-331	-	TP-277
139	TP-30H	-	TP-279
140	TP-272	-	TP-304
152	TP-42	-	TP-305
158	TP-9	-	TP-309
158DB	TP-14	-	TP-310
175	TP-4	-	TP-310N
177	TP-107	-	TP-330
179	TP-7	-	TP-337
192	TP-65	-	TP-405
200	TP-1LD	-	TP-406
200VT	TP-1V	-	TP-420
220	TP-343	-	TP-421
222	TP-111	-	TP-422
238	TP-64	-	TP-422C
258	TP-9X	-	TP-426
260	TP-14X	-	TP-426G
265P	TP-220	-	TP-426C
267	TP-8	-	TP-426A
276	TP-332	-	TP-426AG
283	TP-110	-	TP-426AC
298	TP-4H	-	TP-427
303	TP-50	-	TP-428
304	TP-5	-	TP-429
306	TP-102L	-	TP-430
341	TP-101L	-	TP-431
351	TP-260 1	-	TP-433
352	TP-260 1 1/2	-	TP-434
353	TP-260 2	-	TP-811
354	TP-263 2 1/2	-	TP-814
355	TP-264 3	-	TP-816
356	TP-265 4	-	TP-816T
706	TP-116	-	TP-817
650-266-75	TP-309N	-	TP-819
800	TP-2	-	TP-900
-	TP-1F	-	TP-980
-	TP-1LDF	-	TP-K
-	TP-1LDPVC	-	TP-KS



EMPIRE INDUSTRIES TO TRIPAC CROSS REFERENCE CHART

EMPIRE INDUSTRIES	TRIPAC	EMPIRE INDUSTRIES	TRIPAC
11	TP-1	1900	TP-260 1
11CI	TP-1C.I.	1901	TP-260 1 1/2
11V	TP-1V	1902	TP-262 2
11X	TP-1A	1903	TP-263 2 1/2
12	TP-1VT	1904	TP-264 3
21L	TP-64	1905	TP-265 4
22R	TP-69	4000 SERIES	TP-426
26	TP-102	4100 SERIES	TP-429
26W	TP-101	-	TP-1F
31	TP-2	-	TP-1LDF
37	TP-111	-	TP-1LDPVC
41H	TP-302	-	TP-2WON
50	TP-6	-	TP-4A
53	TP-42	-	TP-4B
61	TP-66	-	TP-4C.I.
62	TP-65	-	TP-30L
66	TP-304	-	TP-31M
66	TP-305	-	TP-31O
67	TP-34	-	TP-32
68	TP-35	-	TP-33
69	TP-343	-	TP-51
72	TP-116	-	TP-52
77	TP-107	-	TP-68
81N	TP-309N	-	TP-100
95	TP-7	-	TP-101L
97	TP-8	-	TP-102L
110	TP-1LD	-	TP-107F
110PC	TP-1PVC	-	TP-118
131	TP-330	-	TP-150
137	TP-110	-	TP-200
150	TP-62	-	TP-309
156	TP-335	-	TP-310
159	TP-336	-	TP-310N
167	TP-220	-	TP-337
180	TP-20S	-	TP-405
189	TP-5	-	TP-406
189H	TP-5H	-	TP-420
202	TP-50	-	TP-422
212	TP-4	-	TP-422C
216	TP-4H	-	TP-426G
218	TP-62	-	TP-426C
231	TP-20	-	TP-426A
256	TP-421	-	TP-426AG
271	TP-271	-	TP-426AC
272	TP-272	-	TP-427
273	TP-273	-	TP-428
275	TP-275	-	TP-430
277	TP-277	-	TP-431
279	TP-279	-	TP-433
280	TP-280	-	TP-434
320	TP-331	-	TP-811
426	TP-817	-	TP-814
427	TP-818	-	TP-816
595	TP-14	-	TP-816T
599	TP-9X, TP-14X	-	TP-819
600	TP-9	-	TP-900
801	TP-30M	-	TP-980
802	TP-30H	-	TP-K
820	TP-30	-	TP-KS
909	TP-332	-	-



TRIPAC TO MSS AND FEDERAL SPECIFICATION CROSS REFERENCE

TRIPAC	MSS-SP-69	FEDERAL SPEC. Ww-H-171E
TP-1	TYPE 1	TYPE 1
TP-1A	TYPE 1	TYPE 1
TP-1LD	-	TYPE 12
TP-4	TYPE 4	TYPE 4
TP-4CI	TYPE 4	TYPE 4
TP-4H	TYPE 4	TYPE 4
TP-5	TYPE 3	TYPE 3
TP-6	TYPE 8	TYPE 8
TP-20	TYPE 26	TYPE 26
TP-20S	TYPE 26	TYPE 26
TP-30L	TYPE 31	TYPE 32
TP-30M	TYPE 32	TYPE 33
TP-30H	TYPE 33	TYPE 34
TP-62	TYPE 21	TYPE 21
TP-64	TYPE 23	TYPE 23
TP-65	TYPE 19	TYPE 23
TP-66	TYPE 19	TYPE 23
TP-68	TYPE 19	TYPE 23
TP-110	TYPE 24	TYPE 24
TP-220	TYPE 40	TYPE 41
TP-260 1	TYPE 39	TYPE 40A & 40B
TP-261 1 1/2	TYPE 39	TYPE 40A & 40B

TRIPAC	MSS-SP-69	FEDERAL SPEC. Ww-H-171E
TP-261 2	TYPE 39	TYPE 40A & 40B
TP-263 2 1/2	TYPE 39	TYPE 40A & 40B
TP-264 3	TYPE 39	TYPE 40A & 40B
TP-265 4	TYPE 39	TYPE 40A & 40B
TP-272	TYPE 43	TYPE 44
TP-277	TYPE 41	TYPE 42
TP-279	TYPE 44	TYPE 45
TP-280	TYPE 46	TYPE 47
TP-304	TYPE 22	TYPE 22
TP-305	TYPE 22	TYPE 22
TP-309	TYPE 18	TYPE 18
TP-310	TYPE 18	TYPE 19
TP-329	TYPE 30	TYPE 30
TP-330	TYPE 17	TYPE 17
TP-331	TYPE 13	TYPE 13
TP-332	TYPE 14	TYPE 14
TP-335	TYPE 25	TYPE 53
TP-336	TYPE 27	TYPE 54
TP-343	TYPE 57	-
TP-817	TYPE 36	TYPE 37
TP-818	TYPE 37	TYPE 38



GENERAL CONSTRUCTION FASTENERS

- Hex, Heavy Hex Bolts & Nuts
- T-Head Bolts
- Track Bolts
- Hydrant Break-Off Bolts
- Foundation (Anchor Bolts)
- Wedge (Concrete Expansion) Anchors
- All Thread Rod
- Studs (Single & Double Ended, Full Thread)
- Washers
- Screws (Self Drilling, Self Tapping, Machine)

STEEL GRADES

- A307 GR, A&B, ASTM A193, B-7, GR. 5, GR. 8, A325

STAINLESS STEEL GRADES

- ASTM F 593, 18-8, T-304, T-316, ASTM A193, B8, B8M
- Silicon Bronze, Brass

PLATING

- Zinc, Electro Galvanized, HDG (Hot Dipped) Galvanizing, TRIPAC 2000 Blue

PACKAGED FLANGE NUTS & BOLTS SETS

- Standard 150 Lb., 250 Lb., and 300 Lb. Sets
- Butterfly, Wafer & Other Valve Sets
- Hydrant Sets
- Lugged BFV Sets
- Wafer Valve Sets

GASKETS

- Non Asbestos
- TRIPAC 5000
- Cloth Inserted Rubber
- Solid Rubber (Neoprene, Viton, EPDM, Red, Black)
- TRIPAC 2000

FLANGE INSULATION KITS

- Plain Phenolic, Neoprene Faced Phenolic NEMA G-10
- Mylar, Polyethylene and NEMA G-10 Sleeves
- Phenolic, Steel and Stainless Steel Washers

STRUT AND PIPE SUPPORTS ACCESSORIES

- Roll-Formed Strut, Nuts & Hundreds of Fittings Including Pipe Clamps, Beam Clamps, Angular Fittings and Brackets
- Pre Engineered System Which Enables the User/Designer to Create a Variety of Support Elements and Structural Configurations.
- Custom Fabricated Supports, Plates, Anchor Bolts
- Adjustable Pipe Supports
- Engineered Calculations Available Upon Request

PSI

- Link Seal
- Ranger Casing Spacers and End Seals
- Line Backer/Sealing-Isolating Gaskets
- Line Backer/NSF 61
- Flange Isolation Kits

DENSO PETROLATUM WAX TAPE SYSTEM COPPER HEAD TRACER WIRE

TRIPAC
475 KLUG CIRCLE CORONA, CA 92880

PHONE: (951) 280-4488

FAX: (951) 272-4445

www.TRIPACONLINE.COM

"SPECIALIZING IN THE WATER AND WASTE WATER INDUSTRIES."