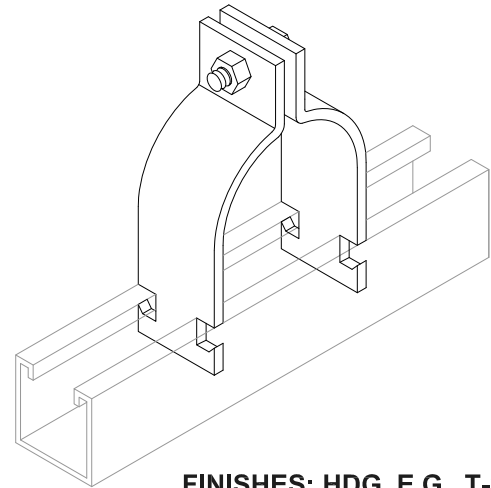


STRUT PIPE CLAMPS

PIPE CLAMPS FOR RIGID CONDUIT

| RIGID SIZE | O.D. SIZE | WEIGHT lbs./100 | METAL GAUGE | DESIGN LOAD AT SAFETY FACTOR OF 5 |
|--------------|-----------|-----------------|-------------|-----------------------------------|
| RIGID-1/2" | .840 | 11 | 16 | 400 |
| RIGID-3/4" | 1.050 | 15 | 14 | 600 |
| RIGID-1" | 1.315 | 17 | 14 | 600 |
| RIGID-1 1/4" | 1.660 | 19 | 14 | 600 |
| RIGID-1 1/2" | 1.900 | 29 | 12 | 800 |
| RIGID-2" | 2.375 | 34 | 12 | 800 |
| RIGID-2 1/2" | 2.875 | 40 | 12 | 800 |
| RIGID-3" | 3.500 | 47 | 12 | 800 |
| RIGID-3 1/2" | 4.000 | 62 | 11 | 1000 |
| RIGID-4" | 4.500 | 67 | 11 | 1000 |
| RIGID-5" | 5.563 | 80 | 11 | 1000 |
| RIGID-6" | 6.625 | 102 | 10 | 1000 |
| RIGID-8" | 8.625 | 123 | 10 | 1000 |
| RIGID-10" | 10.750 | 143 | 10 | 1000 |
| RIGID-12" | 12.750 | 198 | 10 | 1000 |



FINISHES: HDG, E.G., T-316

PIPE CLAMPS FOR COPPER TUBING

| NOMINAL TUBING SIZE | O.D. SIZE | WEIGHT lbs./100 | METAL GAUGE | DESIGN LOAD AT SAFETY FACTOR OF 5 |
|---------------------|-----------|-----------------|-------------|-----------------------------------|
| O.D. CP-1/4" | .375 | 8 | 16 | 400 |
| O.D. CP-3/8" | .500 | 8 | 16 | 400 |
| O.D. CP-1/2" | .625 | 9 | 16 | 400 |
| O.D. CP-5/8" | .750 | 9 | 16 | 400 |
| O.D. CP-3/4" | .875 | 10 | 16 | 400 |
| O.D. CP-1" | 1.125 | 14 | 14 | 600 |
| O.D. CP-1 1/4" | 1.375 | 15 | 14 | 600 |
| O.D. CP-1 1/2" | 1.625 | 17 | 14 | 600 |
| O.D. CP-2" | 2.125 | 30 | 12 | 800 |
| O.D. CP-2 1/2" | 2.625 | 35 | 12 | 800 |
| O.D. CP-3" | 3.125 | 39 | 12 | 800 |
| O.D. CP-3 1/2" | 3.625 | 48 | 12 | 1000 |
| O.D. CP-4" | 4.125 | 54 | 11 | 1000 |
| O.D. CP-5" | 5.125 | 75 | 11 | 1000 |
| O.D. CP-6" | 6.125 | 96 | 10 | 1000 |

TRIPAC

475 KLUG CIRCLE • CORONA, CA 92880-6406
(951) 280-4488 • FAX: (951) 272-4445

A DIVISION OF TRIPAC MARKETING, INC.

WWW.TRIPACONLINE.COM

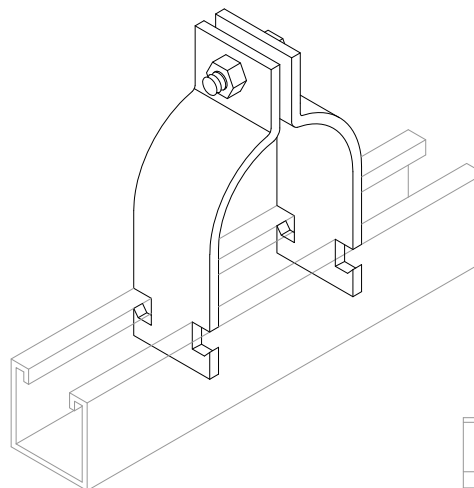
O.D. PIPE CLAMPS

O.D. TUBING CLAMPS

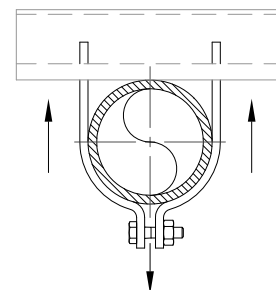
| O.D. SIZE | WEIGHT LBS./100 | GAUGE | DESIGN LOAD AT SAFETY FACTOR OF 5 |
|-----------------------|-----------------|-------|-----------------------------------|
| 1/4" | 8 | 16 | 400 |
| 3/8" | 8 | 16 | 400 |
| 1/2" | 9 | 16 | 400 |
| 5/8" | 9 | 16 | 400 |
| 3/4" | 11 | 16 | 400 |
| 7/8" (RIGID 1/2") | 15 | 16 | 400 |
| 1" (RIGID 3/4") | 16 | 14 | 600 |
| 1-1/8" | 18 | 14 | 600 |
| 1-1/4" | 16 | 14 | 600 |
| 1-3/8" (RIGID 1") | 17 | 14 | 600 |
| 1-1/2" | 18 | 14 | 600 |
| 1-5/8" (RIGID 1-1/4") | 19 | 14 | 600 |
| 1-3/4" | 28 | 12 | 800 |
| 1-7/8" (RIGID 1-1/2") | 28 | 12 | 800 |
| 2" | 31 | 12 | 800 |
| 2-1/8" | 31 | 12 | 800 |
| 2-1/4" | 33 | 12 | 800 |
| 2-3/8" (RIGID 2") | 34 | 12 | 800 |
| 2-1/2" | 35 | 12 | 800 |
| 2-5/8" | 35 | 12 | 800 |
| 2-3/4" | 38 | 12 | 800 |
| 2-7/8" (RIGID 2-1/2") | 40 | 12 | 800 |
| 3" | 39 | 12 | 800 |
| 3-1/8" | 39 | 12 | 800 |
| 3-1/4" | 45 | 12 | 800 |
| 3-3/8" | 46 | 12 | 800 |
| 3-1/2" (RIGID 3") | 47 | 12 | 1000 |
| 3-5/8" | 54 | 11 | 1000 |
| 3-3/4" | 54 | 11 | 1000 |
| 3-7/8" | 60 | 11 | 1000 |
| 4" (RIGID 3-1/2") | 62 | 11 | 1000 |
| 4-1/8" | 64 | 11 | 1000 |
| 4-1/4" | 64 | 11 | 1000 |
| 4-3/8" | 65 | 11 | 1000 |
| 4-1/2" (RIGID 4") | 66 | 11 | 1000 |
| 4-5/8" | 64 | 11 | 1000 |
| 4-3/4" | 72 | 11 | 1000 |
| 4-7/8" (DIP) | 73 | 11 | 1000 |
| 5" | 68 | 11 | 1000 |
| 5-1/8" | 68 | 11 | 1000 |
| 5-1/4" | 77 | 11 | 1000 |
| 5-3/8" | 79 | 11 | 1000 |
| 5-1/2" | 79 | 10 | 1000 |
| 5-5/8" (RIGID 5") | 88 | 10 | 1000 |
| 5-3/4" | 90 | 10 | 1000 |
| 5-7/8" | 92 | 10 | 1000 |
| 6" | 87 | 10 | 1000 |
| 6-1/8" | 96 | 10 | 1000 |
| 6-1/4" | 98 | 10 | 1000 |
| 6-3/8" | 96 | 10 | 1000 |

O.D. TUBING CLAMPS

| O.D. SIZE | WEIGHT LBS./100 | GAUGE | DESIGN LOAD AT SAFETY FACTOR OF 5 |
|---------------------|-----------------|-------|-----------------------------------|
| 6-1/2" | 100 | 10 | 1000 |
| 6-5/8" (RIGID 6") | 102 | 10 | 1000 |
| 6-3/4" | 96 | 10 | 1000 |
| 6-7/8" (DIP) | 100 | 10 | 1000 |
| 7" | 108 | 10 | 1000 |
| 7-1/8" | 110 | 10 | 1000 |
| 7-1/4" | 111 | 10 | 1000 |
| 7-3/8" | 113 | 10 | 1000 |
| 7-1/2" | 104 | 10 | 1000 |
| 7-5/8" | 110 | 10 | 1000 |
| 7-3/4" | 111 | 10 | 1000 |
| 7-7/8" | 120 | 10 | 1000 |
| 8" | 122 | 10 | 1000 |
| 8-1/8" | 124 | 10 | 1000 |
| 8-1/4" | 125 | 10 | 1000 |
| 8-3/8" | 114 | 10 | 1000 |
| 8-1/2" | 128 | 10 | 1000 |
| 8-5/8" (RIGID 8") | 123 | 10 | 1000 |
| 8-3/4" | 122 | 10 | 1000 |
| 8-7/8" | 119 | 10 | 1000 |
| 9" (DIP) | 118 | 10 | 1000 |
| 9-1/2" | 126 | 10 | 1000 |
| 9-5/8" | 129 | 10 | 1000 |
| 10" | 135 | 10 | 1000 |
| 10-3/4" (RIGID 10") | 140 | 10 | 1000 |
| 11" | 145 | 10 | 1000 |
| 11-5/8" | 151 | 10 | 1000 |
| 12" | 156 | 10 | 1000 |
| 12-3/4" (RIGID 12") | 153 | 10 | 1000 |



FINISHES: HDG, E.G., T-316



TRIPAC

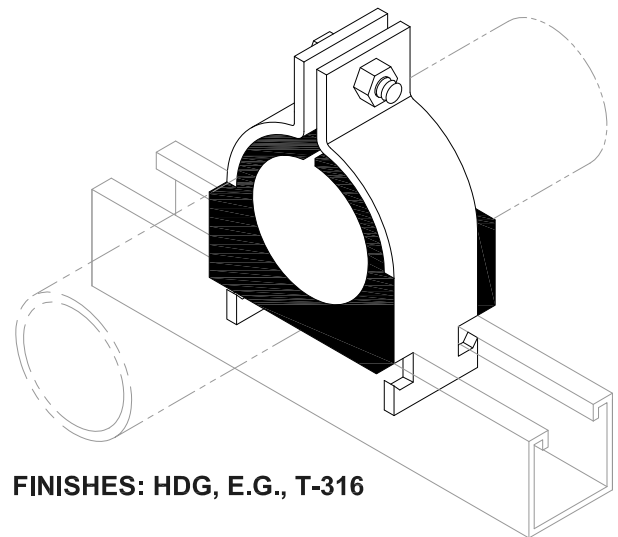
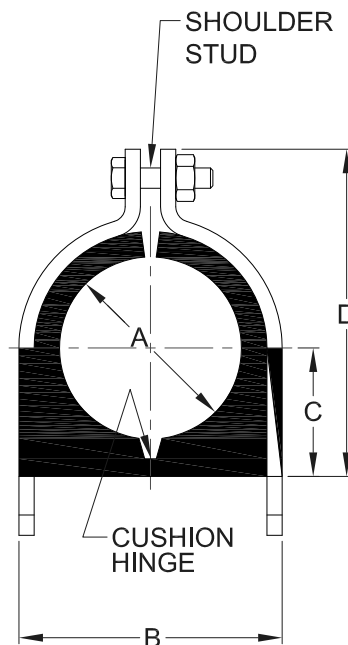
475 KLUG CIRCLE • CORONA, CA 92880-6406
 (951) 280-4488 • FAX: (951) 272-4445

A DIVISION OF TRIPAC MARKETING, INC.

WWW.TRIPACONLINE.COM

CUSHION CLAMPS

| NOMINAL SIZE | A O.D. | B | C | D |
|--------------|--------|-------|-------|-------|
| 1/4" | .25" | .62" | .27" | .98" |
| 3/8" | .37" | .82" | .33" | 1.13" |
| 1/2" | .50" | .94" | .40" | 1.34" |
| (IPS 1/4") | .54" | .98" | .43" | 1.34" |
| 5/8" | .62" | 1.06" | .46" | 1.54" |
| (IPS 3/8") | .67" | 1.13" | .49" | 1.54" |
| 3/4" | .75" | 1.20" | .52" | 1.68" |
| (IPS 1/2") | .84" | 1.29" | .58" | 1.82" |
| 1" | 1.00" | 1.44" | .65" | 1.95" |
| (IPS 3/4") | 1.05" | 1.57" | .70" | 2.08" |
| 1-1/8" | 1.12" | 1.57" | .70" | 2.08" |
| 1-1/4" | 1.25" | 1.70" | .77" | 2.21" |
| (IPS 1") | 1.31" | 1.76" | .81" | 2.34" |
| 1-3/8" | 1.37" | 1.82" | .83" | 2.34" |
| 1-1/2" | 1.50" | 1.95" | .90" | 2.47" |
| 1-5/8" | 1.62" | 2.07" | .96" | 2.60" |
| (IPS 1-1/4") | 1.66" | 2.17" | .99" | 2.73" |
| 1-3/4" | 1.75" | 2.20" | 1.02" | 2.73" |
| (IPS 1-1/2") | 1.87" | 2.32" | 1.09" | 2.86" |
| 2" | 2.00" | 2.45" | 1.15" | 3.04" |
| 2-1/8" | 2.12" | 2.57" | 1.27" | 3.23" |
| (IPS 2") | 2.37" | 2.82" | 1.41" | 3.67" |
| 2-1/2" | 2.50" | 2.94" | 1.46" | 3.79" |
| 2-5/8" | 2.62" | 3.07" | 1.53" | 3.92" |
| (IPS 2-1/2") | 2.87" | 3.32" | 1.66" | 4.17" |
| 3" | 3.00" | 3.57" | 1.78" | 4.42" |
| 3-1/8" | 3.12" | 3.57" | 1.78" | 4.42" |
| 3-5/16" | 3.31" | 3.96" | 1.90" | 4.75" |
| (IPS 3") | 3.50" | 3.95" | 1.97" | 4.79" |
| 3-5/8" | 3.62" | 4.20" | 2.03" | 4.11" |
| (IPS 3-1/2") | 4.00" | 4.45" | 2.28" | 5.42" |
| 4-1/8" | 4.12" | 4.57" | 2.34" | 5.54" |
| 4-5/16" | 4.34" | 4.96" | 2.40" | 5.84" |
| (IPS 4") | 4.50" | 5.95" | 2.53" | 5.92" |
| 5-1/8" | 5.12" | 5.57" | 2.84" | 6.54" |
| (IPS 5") | 5.56" | 6.01" | 3.06" | 6.92" |
| 6-1/8" | 6.12" | 6.57" | 3.34" | 7.54" |
| (IPS 6") | 6.62" | 7.07" | 3.59" | 8.23" |



- **MATERIAL-CLAMP: CARBON STEEL (ALSO AVAILABLE IN STAINLESS STEEL), CUSHION: THERMOPLASTIC ELASTOMER.**
- **AVAILABLE IN TUBE SIZES FROM 1/4" TO 6-1/8", PIPE SIZE FROM 1/4" TO 6".**
- **STRUT MOUNTED CLAMP ASSEMBLY ABSORBS SHOCK AND VIBRATION.**
- **REDUCES UNWANTED NOISE AND PREVENTS GALVANIC CORROSION.**
- **CUSHION WITHSTANDS THE EFFECT OF MOST OILS, CHEMICALS AND INDUSTRIAL CLEANING COMPOUNDS IN TEMPERATURES -50° F THRU 275° F.**
- **A SHOULDER STUD FASTENED TO ONE CLAMP HALF ELIMINATES ROTATION AND OVER TIGHTENING WHILE A NYLON INSERT NUT ASSURES A POSITIVE LOCK. SHOULDER STUD IS FURNISHED ON ALL SIZES FROM 1/4" O.D. THRU 1-3/8" O.D.**

TRIPAC

475 KLUG CIRCLE • CORONA, CA 92880-6406
(951) 280-4488 • FAX: (951) 272-4445

A DIVISION OF TRIPAC MARKETING, INC.

WWW.TRIPACONLINE.COM

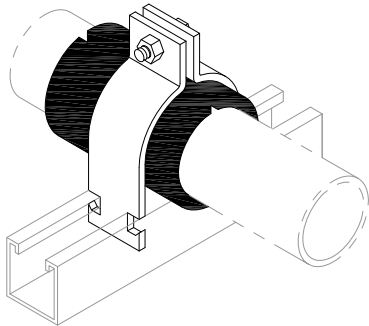
16

PIPE CLAMPS

CUSHION STRIPS & NEOPRENE ISOLATORS

- MATERIAL-CUSHION STRIP IS MANUFACTURED FROM A THERMOPLASTIC ELASTOMER, CUSHION STRIP IS DESIGNED FOR USE FROM -50° F THRU 275° F. NEOPRENE ISOLATOR MANUFACTURED FROM NEOPRENE, NITRILE AND SBR RUBBERS. NEOPRENE ISOLATOR IS DESIGNED FOR USE FROM -20° F THRU 190° F.
- FEATURES-BOTH CUSHION STRIP AND NEOPRENE ISOLATORS REDUCE UNWANTED NOISE AND PREVENT GALVANIC CORROSION
- EASY STOCKING-CUSHION STRIP AND NEOPRENE ISOLATORS ARE PACKAGED IN 10 FOOT ROLLS FOR CONVENIENCE IN HANDLING AND STORAGE.
- NO-SLIP SECURITY-LOCK LIP EDGES INSURE THAT CUSHION STRIP WILL REMAIN IN PLACE WITH BALANCE GRIP.
- CLAMPS-AVAILABLE, ELECTRO-GALVANIZED, GOLD ELECTRO-DICHROMATE, HOT DIP GALVANIZED AND STAINLESS STEEL.

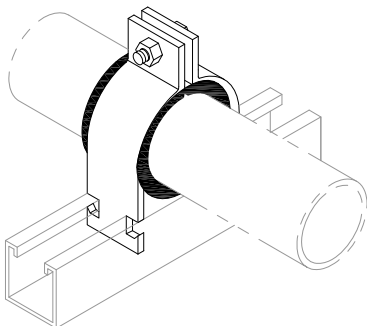
NEOPRENE ISOLATOR
(IN STOCK)



NEOPRENE PAD

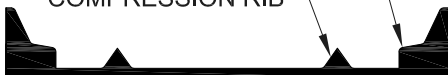


CUSHION STRIP
(SPECIAL ORDER)



LOCK LIP EDGE

COMPRESSION RIB



RIGID PIPE CLAMPS

| TUBING O.D. | PIPE IPS | CUTTING SCHEDULE FOR CUSHION STRIP | CUTTING SCHEDULE FOR NEOPRENE ISOLATOR | CLAMP SIZE |
|-------------|----------|------------------------------------|--|------------|
| 1/4" | - | 7/8" | 3/4" | 1/2" |
| 3/8" | - | 1-1/8" | 1-1/8" | 5/8" |
| 1/2" | 1/4" | 1-1/2" | 1-5/8" | 3/4" |
| 5/8" | 3/8" | 2" | 2" | 7/8" |
| 3/4" | - | 2-1/4" | 2-3/8" | 1" |
| 7/8" | 1/2" | 3" | 2-3/4" | 1-1/8" |
| 1" | 3/4" | 3-1/4" | 3-1/8" | 1-1/4" |
| 1-1/8" | - | 3-5/8" | 3-1/2" | 1-3/8" |
| 1-3/16" | - | 3-7/8" | 3-3/4" | 1-1/2" |
| 1-1/4" | 1" | 4" | 3-7/8" | 1-1/2" |
| 1-3/8" | - | 4-1/2" | 4-3/8" | 1-5/8" |
| 1-1/2" | - | 4-7/8" | 4-3/4" | 1-3/4" |
| 1-5/8" | 1-1/4" | 5-1/4" | 5-1/8" | 1-7/8" |
| 1-3/4" | - | 5-1/2" | 5-1/2" | 2" |
| 1-7/8" | 1-1/2" | 6" | 5-7/8" | 2-1/8" |
| 2" | - | 6-3/8" | 6-1/4" | 2-1/4" |
| 2-1/8" | - | 6-3/4" | 6-5/8" | 2-3/8" |
| 2-1/4" | - | 7-1/4" | 7-1/8" | 2-1/2" |
| 2-3/8" | 2" | 7-1/2" | 7-1/2" | 2-5/8" |
| 2-1/2" | - | 8" | 7-7/8" | 2-3/4" |
| 2-3/4" | - | 8-3/4" | 8-5/8" | 3" |
| 2-7/8" | 2-1/2" | 9-1/4" | 9" | 3-1/8" |
| 3" | - | 9-1/2" | 9-3/8" | 3-1/4" |
| 3-1/2" | 3" | 11" | 11" | 3-3/4" |
| 4" | 3-1/2" | 12-1/4" | 12-5/8" | 4-1/4" |
| 4-1/2" | 4" | 14" | 14-1/8" | 4-3/4" |
| 5-1/8" | - | - | 16-1/8" | 5-3/8" |
| 5-1/2" | 5" | 15-1/2" | 17-1/4" | 5-3/4" |
| 6-1/8" | - | - | 19-1/4" | 6-3/8" |
| 6-1/2" | 6" | 18-1/2" | 20-3/8" | 6-3/4" |

TRIPAC

475 KLUG CIRCLE • CORONA, CA 92880-6406
(951) 280-4488 • FAX: (951) 272-4445

A DIVISION OF TRIPAC MARKETING, INC.

WWW.TRIPACONLINE.COM