

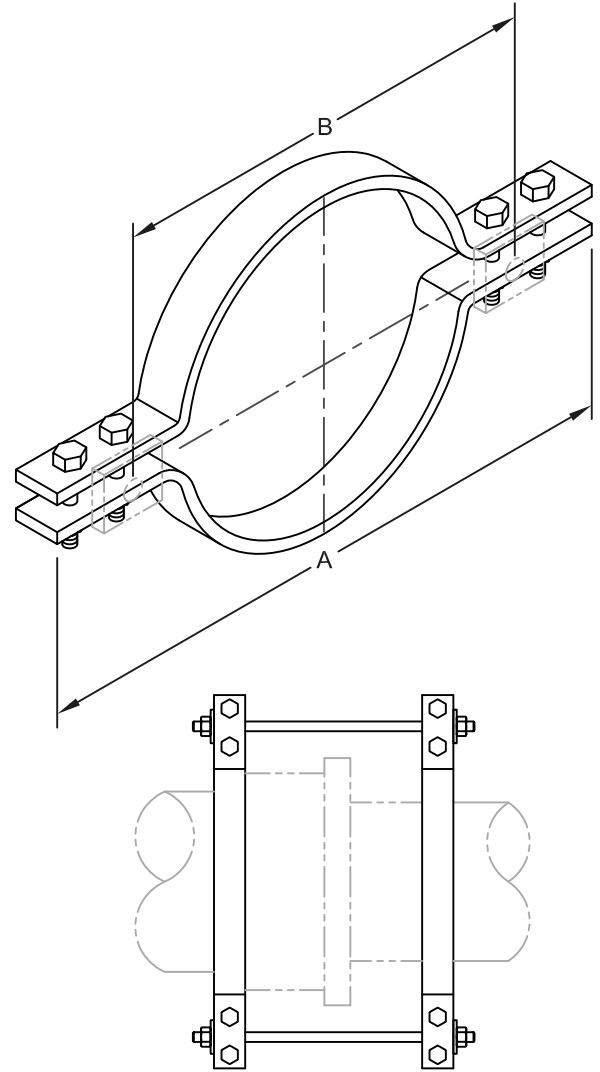
TRIPAC FIG. TP-14 DOUBLE BOLT-UNDERGROUND SOCKET CLAMP

SIZE RANGE-4" THRU 24" PIPE

SERVICE-DESIGNED TO KEEP AWWA CAST IRON AND DUCTILE IRON PIPE FROM SEPARATING.

MATERIAL-CARBON STEEL, T-304 AND T-316

FINISHES-PLAIN, ELECTRO-GALVANIZED, HDG



DIMENSIONS & WEIGHTS

PIPE SIZE	PIPE O.D.	A	B	BOLT SIZE	TP-14X WASHER SIZE	APPROX. WT./100
4"	4.80"	14-1/16"	9-5/16"	5/8"	3/4"	1275
6"	6.90"	16-7/16"	11-11/16"	5/8"	3/4"	1455
8"	9.05"	19-5/8"	14-7/8"	5/8"	3/4"	2350
10"	11.10"	21-13/16"	17-1/16"	3/4"	3/4"	2925
12"	13.20"	24-1/2"	19-1/4"	7/8"	1"	4030
14"	15.30"	26-15/16"	21-11/16"	7/8"	1"	5385
16"	17.40"	30-3/4"	24-3/4"	1"	1-1/8"	7645
18"	19.50"	34-5/16"	27-5/16"	1-1/4"	1-1/4"	9425
20"	21.60"	36-5/8"	29-5/8"	1-1/4"	1-1/2"	10975
24"	25.80"	42-1/8"	34-3/8"	1-1/2"	1-1/2"	14865

TRIPAC FIG. TP-14X PLATE WASHER

SIZE RANGE-3/4" THRU 1-1/2" ROD

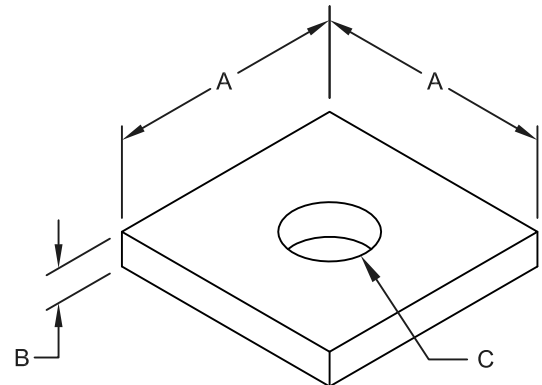
SERVICE-USED IN CONJUNCTION WITH THE TP-14 TO SECURE TIE RODS.

MATERIAL-CARBON STEEL, T-304 AND T-316

FINISHES-PLAIN, ELECTRO-GALVANIZED

DIMENSIONS & WEIGHTS

TIE ROD SIZE	A	B	HOLE SIZE C	APPROX. WT./100
3/4"	3"	1/2"	7/8"	120
1"	3-1/2"	1/2"	1-1/8"	157
1-1/8"	3-1/2"	5/8"	1-1/4"	194
1-1/4"	3-1/2"	3/4"	1-3/8"	230
1-1/2"	3-1/2"	3/4"	1-5/8"	240



TRIPAC

475 KLUG CIRCLE • CORONA, CA 92880-6406
(951) 280-4488 • FAX: (951) 272-4445

A DIVISION OF TRIPAC MARKETING, INC.

WWW.TRIPACONLINE.COM