

TRIPAC FIG. TP-1F FELT LINED STANDARD CLEVIS HANGER TRIPAC FIG. TP-1PVC PVC COATED STANDARD CLEVIS HANGER

SIZE RANGE-1/2" THRU 8" PIPE

SERVICE- TP-1F IS DESIGNED FOR SUSPENSION OF COPPER TUBE SO AS TO PREVENT ELECTROLYSIS BETWEEN TUBE AND HANGER. TP-1PVC IS DESIGNED FOR STEEL OR OTHER PIPE TYPES OF SAME O.D. BOTH TP-1F AND TP-1PVC ACT TO REDUCE NOISE AND VIBRATION IN PIPE OR TUBE SYSTEM.

MATERIAL-CARBON STEEL, T-304 AND T-316

FINISHES-PLAIN, ELECTRO-GALVANIZED, HDG

MAXIMUM TEMPERATURE RATING-650°F / 343°C

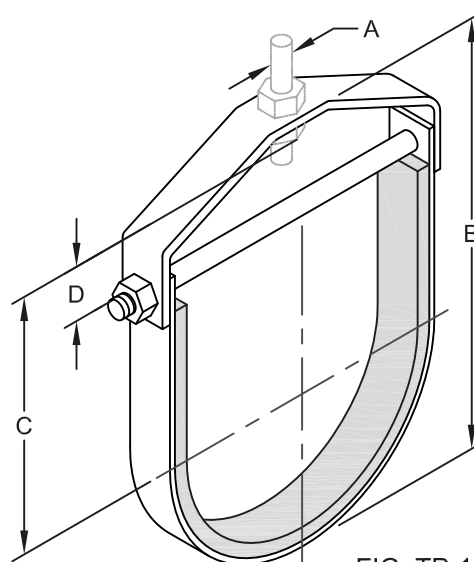


FIG. TP-1F

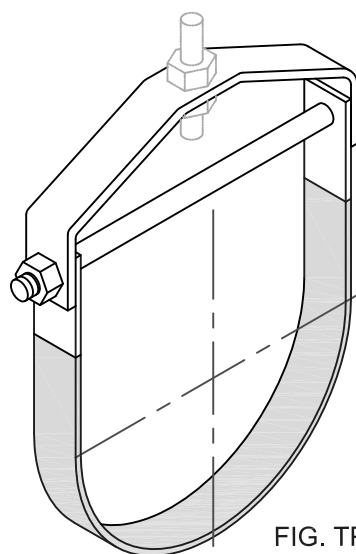


FIG. TP-1PVC

DIMENSIONS & WEIGHTS

PIPE SIZE	ROD SIZE A		B	C	D	MAX. REC. LOAD LBS	APPROX. WT./100
	STD	NFPA					
1/2"	3/8"	3/8"	2-7/8"	1"	1"	610	36
3/4"	3/8"	3/8"	3-1/16"	1-11/16"	1"	610	38
1"	3/8"	3/8"	3-3/8"	1-7/8"	1"	610	43
1-1/4"	3/8"	3/8"	3-3/4"	2-1/16"	1"	610	47
1-1/2"	3/8"	3/8"	4-1/16"	2-3/16"	1"	610	50
2"	3/8"	3/8"	4-1/2"	2-9/16"	1"	610	56
2-1/2"	1/2"	3/8"	5-1/2"	3-1/16"	1"	1130	125
3"	1/2"	3/8"	6-1/8"	3-5/16"	1-1/4"	1130	141
3-1/2"	1/2"	3/8"	6-3/4"	3-9/16"	1-1/4"	1130	153
4"	5/8"	3/8"	7-5/8"	4-1/16"	1-1/2"	1430	191
5"	5/8"	1/2"	8-7/8"	5-1/16"	1-1/2"	1430	236
6"	3/4"	1/2"	10"	5-5/16"	1-1/2"	1940	318
8"	3/4"	1/2"	12-3/4"	6-15/16"	2"	2000	429

TRIPAC

475 KLUG CIRCLE • CORONA, CA 92880-6406
(951) 280-4488 • FAX: (951) 272-4445

A DIVISION OF TRIPAC MARKETING, INC.

WWW.TRIPACONLINE.COM