

TRIPAC FIG. TP-20 STANDARD PIPE STRAP TRIPAC FIG. TP-20S FLUSH MOUNT PIPE STRAP

DATA TABLE FOR FIG. TP-20

SIZE RANGE-1/2" THRU 8" PIPE

SERVICE-DESIGNED FOR SUPPORTING PIPE VERTICALLY OR HORIZONTALLY TO WALLS OR CEILING. TP-20S WILL MOUNT FLUSH TO SURFACE.

MATERIAL-CARBON STEEL, T-304 AND T-316

FINISHES-PLAIN, ELECTRO-GALVANIZED, HDG

COMPLIES WITH FEDERAL SPECIFICATION WW-H-171-E (TYPE #26) AND MANUFACTURERS STANDARDIZATION SOCIETY MSS SP-69 (TYPE #26)

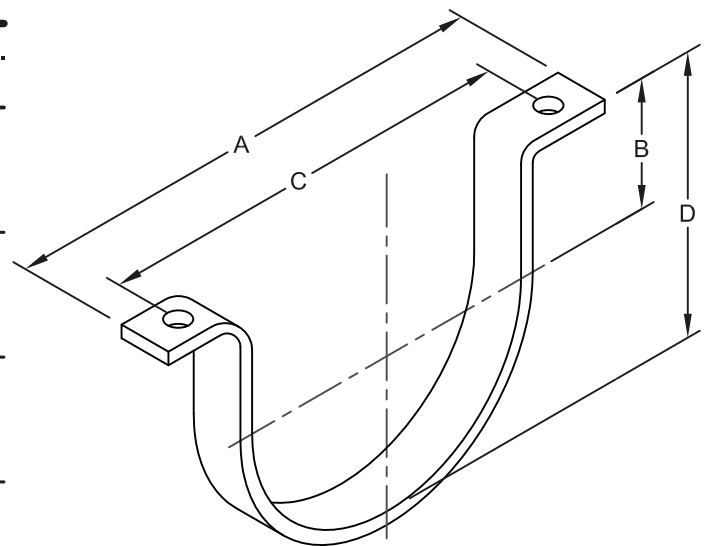
DIMENSIONS & WEIGHTS

PIPE SIZE	A	B	C	D	HOLE SIZE	MAX. REC. LOAD Lbs.	APPROX. WT./100
1/2"	3-7/8"	3/4"	3-1/16"	15/32"	7/16"	410	16
3/4"	4"	13/16"	3-1/8"	1-5/16"	7/16"	410	21
1"	4-9/16"	7/8"	3-3/8"	1-1/2"	7/16"	410	26
1-1/4"	4-15/16"	1"	3-3/4"	1-7/8"	7/16"	410	30
1-1/2"	5-3/16"	1-3/16"	4-1/4"	2-1/8"	7/16"	410	33
2"	5-3/4"	1-7/16"	4-3/4"	2-5/8"	7/16"	410	38
2-1/2"	6-1/4"	1-11/16"	5-1/4"	3-1/8"	7/16"	610	102
3"	6-7/8"	2"	5-7/8"	3-3/4"	7/16"	610	118
3-1/2"	7-3/8"	2-1/4"	6-3/8"	4-1/4"	7/16"	610	130
4"	8-3/8"	2-1/2"	7"	4-3/4"	9/16"	725	159
5"	9-7/16"	3-1/16"	7-7/8"	5-13/16"	9/16"	725	191
6"	10-1/2"	3-5/8"	8-7/8"	6-7/8"	9/16"	725	234
8"	14"	4-5/8"	11-1/2"	9"	11/16"	900	446

DATA TABLE FOR FIG. TP-20S

DIMENSIONS & WEIGHTS

PIPE SIZE	A	B	C	D	HOLE SIZE	MAX. REC. LOAD Lbs.	APPROX. WT./100
1/2"	4-1/8"	5/16"	2-7/8"	3/4"	7/16"	410	21
3/4"	4-5/16"	7/16"	3"	15/16"	7/16"	410	24
1"	4-9/16"	9/16"	3-3/8"	1-1/8"	7/16"	410	26
1-1/4"	4-15/16"	11/16"	3-3/4"	1-1/2"	7/16"	410	30
1-1/2"	5-3/16"	13/16"	4-1/4"	1-5/8"	7/16"	410	33
2"	5-3/4"	1-1/16"	4-3/4"	2-1/4"	7/16"	410	38
2-1/2"	6-1/4"	1-9/16"	5-1/4"	2-3/4"	7/16"	610	102
3"	6-7/8"	1-5/8"	5-7/8"	3-3/8"	7/16"	610	118
3-1/2"	7-3/8"	1-7/8"	6-3/8"	3-7/8"	7/16"	610	130
4"	8-3/8"	2-1/8"	7"	4-3/8"	9/16"	725	159
5"	9-7/16"	2-5/8"	7-7/8"	5-3/8"	9/16"	725	191
6"	10-1/2"	3-3/16"	8-7/8"	6-7/16"	9/16"	725	234
8"	14"	4-1/4"	11-1/2"	8-3/8"	11/16"	900	446



TRIPAC

475 KLUG CIRCLE • CORONA, CA 92880-6406
(951) 280-4488 • FAX: (951) 272-4445

A DIVISION OF TRIPAC MARKETING, INC.

WWW.TRIPACONLINE.COM