

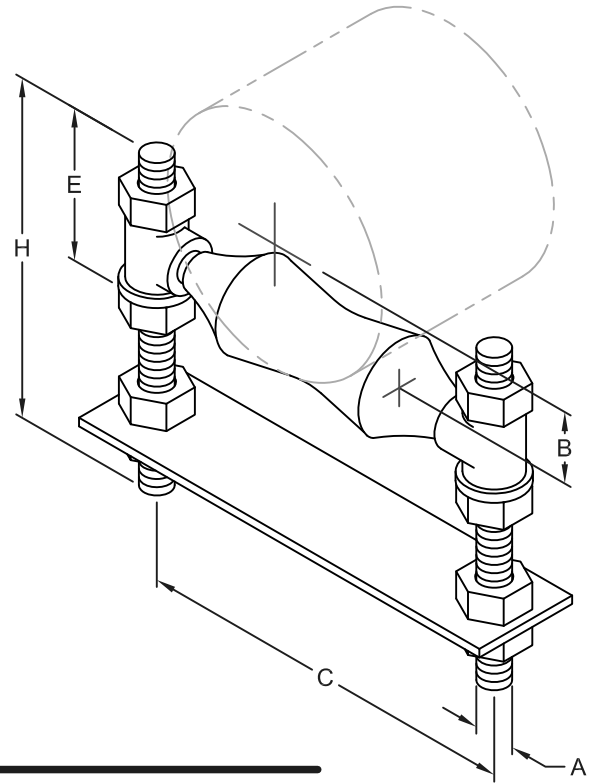
TRIPAC FIG. TP-273 ADJUSTABLE TWO-ROD ROLLER SUPPORT

SIZE RANGE-2" THRU 30" PIPE

SERVICE-DESIGNED FOR THE SUPPORT OF PIPE WHERE LONGITUDINAL MOVEMENT MAY OCCUR DUE TO EXPANSION AND CONTRACTION, AND VERTICAL ADJUSTMENT OF UP TO 6 INCHES MAY BE NECESSARY.

MATERIAL-CARBON STEEL AXLES AND RODS WITH CAST IRON ROLLERS AND SOCKETS.

FINISHES-PLAIN, ELECTRO-GALVANIZED, HDG



DIMENSIONS & WEIGHTS

PIPE SIZE	AXLE SIZE	A	B	C	E	H	MAX. REC. LOAD LBS.	WEIGHT EACH (LBS.)
2"	3/8"	3/8"	1-9/16"	4-3/8"	2-3/16"	12"	600	1.450
2-1/2"	1/2"	1/2"	1-7/8"	5-1/8"	2-5/8"	12"	600	2.535
3"	1/2"	1/2"	2-1/8"	5-5/8"	2-7/8"	12"	700	2.735
3-1/2"	1/2"	1/2"	2-1/2"	5-7/8"	3-1/4"	12"	750	2.850
4"	1/2"	5/8"	2-13/16"	7"	3-13/16"	12"	750	4.320
5"	5/8"	5/8"	3-3/8"	8-1/8"	4-3/8"	12"	750	4.780
6"	3/4"	3/4"	3-15/16"	9-3/4"	4-15/16"	12"	1070	7.705
7"	3/4"	3/4"	4-1/2"	10-1/2"	5-1/4"	12"	1070	8.410
8"	7/8"	7/8"	5-1/8"	12-1/8"	6-3/8"	12"	1350	12.205
10"	7/8"	7/8"	6-1/4"	14"	7-1/2"	12"	1730	13.950
12"	7/8"	7/8"	7-5/16"	15-3/4"	8-9/16"	12"	2400	17.930
14"	1-1/8"	1"	8-3/8"	17-3/4"	9-13/16"	18"	3130	27.545
16"	1-1/4"	1"	9-1/2"	20-9/16"	10-15/16"	18"	3970	33.340
18"	1-1/4"	1"	10-7/16"	22"	11-7/8"	18"	4200	36.000
20"	1-1/4"	1-1/4"	11-1/2"	24"	13-3/8"	18"	4550	46.600
24"	1-1/2"	1-1/2"	13-13/16"	28-3/4"	16-1/8"	24"	6160	81.220
30"	1-3/4"	1-1/2"	17-1/4"	35-5/8"	19-5/8"	24"	7290	109.220

TRIPAC

475 KLUG CIRCLE • CORONA, CA 92880-6406
(951) 280-4488 • FAX: (951) 272-4445

A DIVISION OF TRIPAC MARKETING, INC.

WWW.TRIPACONLINE.COM