

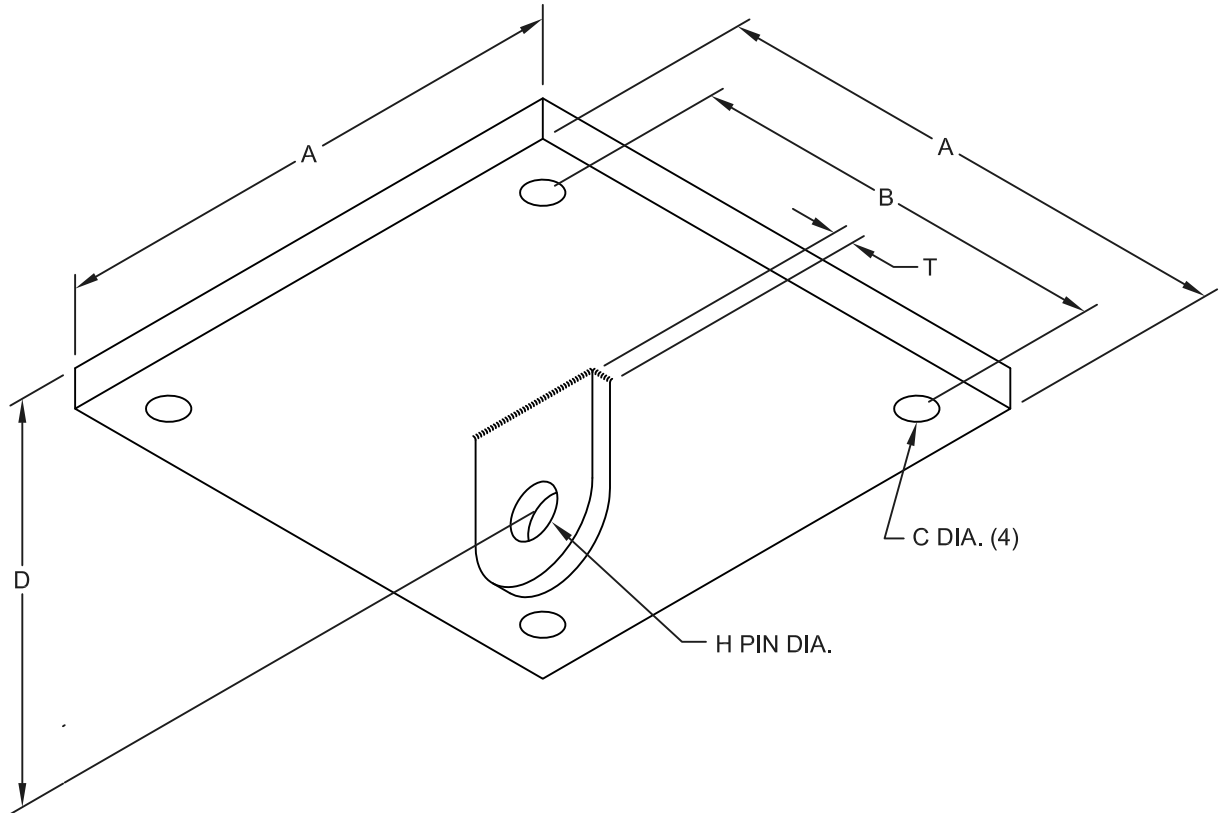
TRIPAC FIG. TP-33 CONCRETE SINGLE LUG PLATE

SIZE RANGE-1/2" THRU 2" ROD

SERVICE-DESIGNED FOR STRUCTURAL ATTACHMENT TO CEILING.

MATERIAL-CARBON STEEL, T-304 AND T-316

FINISHES-PLAIN, ELECTRO-GALVANIZED, HDG



DIMENSIONS & WEIGHTS

ROD SIZE	A	B	C	D	H	T	MAX. REC. LOAD Lbs.*	APPROX. WT./100
1/2"	10"	8"	9/16"	1-7/8"	5/8"	1/4"	1130	1115
5/8"	10"	8"	9/16"	2"	3/4"	1/4"	1810	1465
3/4"	10"	8"	11/16"	2"	7/8"	3/8"	2710	1478
7/8"	10"	8"	11/16"	2-3/4"	1"	3/8"	3770	2195
1"	12"	8"	13/16"	2-3/4"	1-1/8"	1/2"	4960	3185
1-1/4"	12"	8"	15/16"	4"	1-3/8"	5/8"	8000	4385
1-1/2"	12"	8"	1-1/8"	4"	1-5/8"	3/4"	11630	4568
1-3/4"	12"	8"	1-3/8"	4-1/4"	1-7/8"	3/4"	15700	5578
2"	12"	8"	1-3/8"	4-1/4"	2-1/4"	3/4"	20630	5820

* BASED ON ALLOWABLE STRESSES SHOWN IN THE ANSI CODE FOR PRESSURE PIPING.

TRIPAC

475 KLUG CIRCLE • CORONA, CA 92880-6406
(951) 280-4488 • FAX: (951) 272-4445

A DIVISION OF TRIPAC MARKETING, INC.

WWW.TRIPACONLINE.COM