

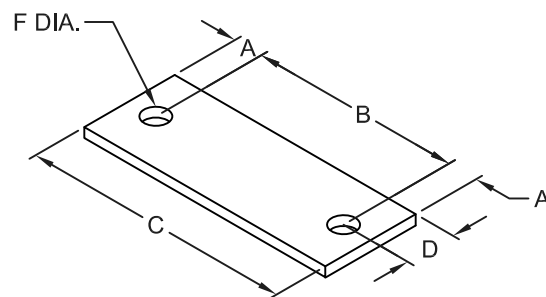
# TRIPAC FIG. TP-406 ANCHOR BASE PLATE

**SIZE RANGE**-2" THRU 30" PIPE

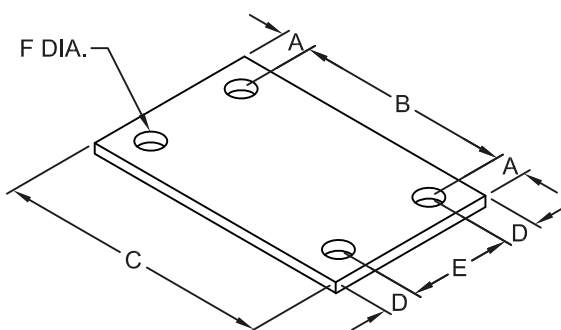
**SERVICE**-PROVIDES A SMOOTH AND EVEN BEARING SURFACE ON WHICH TO PLACE PIPE. CAN ALSO BE USED TO LOCATE AND SET ANCHOR BOLTS.

**MATERIAL**-CARBON STEEL, T-304 AND T-316

**FINISHES**-PLAIN, ELECTRO-GALVANIZED, HDG



SIZES 2" THRU 8"



SIZES 10" THRU 30"

## DIMENSIONS & WEIGHTS

PIPE SIZE	A	B	C	D	E	HOLE SIZE F	APPROX. WT./100
2"	1-1/8"	5-3/8"	7-5/8"	1-1/2"	--	7/8"	230
2-1/2"	1-1/8"	5-7/8"	8-1/8"	1-1/2"	--	7/8"	246
3"	1-1/8"	6-1/2"	8-3/4"	1-1/2"	--	7/8"	266
3-1/2"	1-1/8"	7"	9-1/4"	1-1/2"	--	7/8"	281
4"	1-1/8"	7-1/2"	9-3/4"	1-1/2"	--	7/8"	297
5"	1-1/8"	8-9/16"	10-13/16"	1-1/2"	--	7/8"	331
6"	1-1/2"	10-5/8"	13-5/8"	3"	--	1"	1131
8"	1-1/2"	12-5/8"	15-5/8"	3"	--	1"	1300
10"	1-3/4"	15-1/4"	18-3/4"	1-1/2"	5"	1-1/8"	2059
12"	1-3/4"	17-1/4"	20-3/4"	1-1/2"	5"	1-1/8"	2285
14"	1-3/4"	18-1/2"	22"	2"	6"	1-1/8"	3046
16"	1-3/4"	20-1/2"	24"	2"	6"	1-1/8"	3328
18"	1-3/4"	22-1/2"	26"	2-1/2"	7"	1-1/8"	4343
20"	1-3/4"	24-1/2"	28"	2-1/2"	7"	1-1/8"	4682
24"	1-3/4"	28-1/2"	32"	2-1/2"	7"	1-1/8"	5358
30"	1-3/4"	34-1/2"	38"	2-1/2"	7"	1-1/8"	6374