

TRIPAC FIG. TP-816 PIPE STAND TRIPAC FIG. TP-816T THREADED PIPE STAND

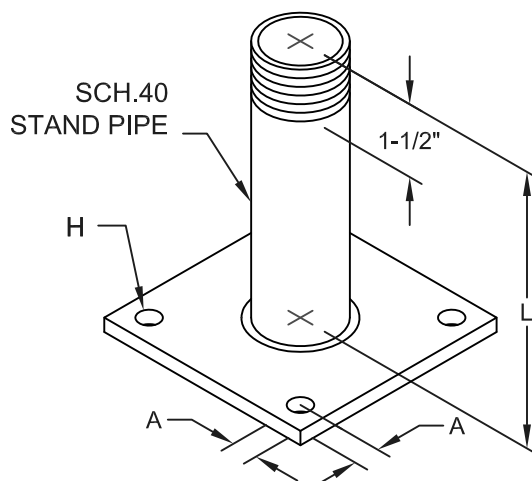
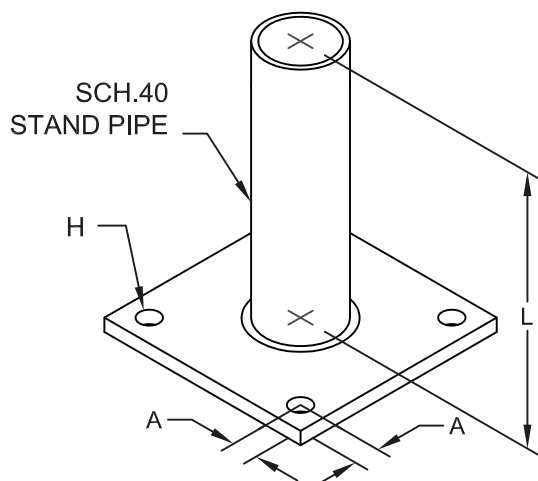
SIZE RANGE-1" THRU 8" PIPE

SERVICE-DESIGNED TO PROVIDE A SUPPORT BASE FOR FLOOR STANCHION SUPPORT. USE WITH SADDLES TP-811, TP-814, TP-817, TP-818 AND WHEN VERTICAL ADJUSTMENT IS NEEDED USE TP-819 PIPE ADJUSTER.

MATERIAL-CARBON STEEL, T-304 AND T-316

FINISHES-PLAIN, ELECTRO-GALVANIZED, HDG

"L" DIMENSION FROM TOP OF PIPE TO TOP OF PLATE TO TOP OF PLATE



DIMENSIONS & WEIGHTS

STAND PIPE SIZE	A	H	PLATE SIZE	APPROX. WT./100
1"	1"	1/2"	6" SQ.	423
1-1/4"	1"	1/2"	6" SQ.	482
1-1/2"	1"	1/2"	6" SQ.	525
2"	1"	1/2"	6" SQ.	748
2-1/2"	1-1/8"	5/8"	8" SQ.	1377
3"	1-1/8"	5/8"	9" SQ.	1555
4"	1-1/4"	3/4"	11" SQ.	2514
6"	1-1/2"	7/8"	14" SQ.	4469
8"	1-1/2"	1"	16" SQ.	10120

* WEIGHT IS BASED ON "L" DIMENSION OF 1'-0"

TRIPAC

475 KLUG CIRCLE • CORONA, CA 92880-6406
(951) 280-4488 • FAX: (951) 272-4445

A DIVISION OF TRIPAC MARKETING, INC.

WWW.TRIPACONLINE.COM