

TRIPAC FIG. TP-818 PIPE SADDLE WITH U-BOLT

SIZE RANGE-4" THRU 36" PIPE

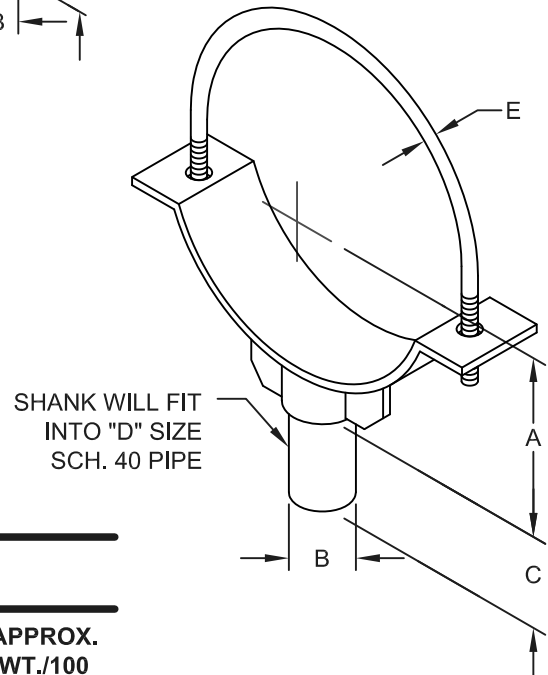
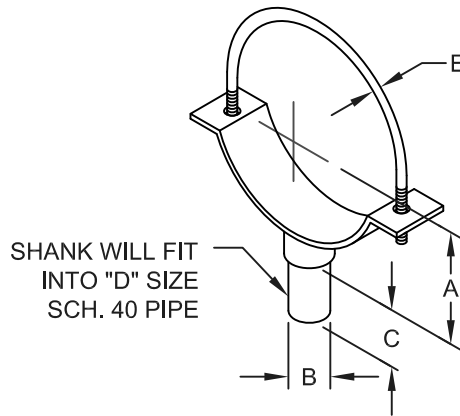
SERVICE-DESIGNED TO SUPPORT HORIZONTAL PIPE FROM FLOOR STANCHION. U-BOLT AND HEX NUTS ARE PROVIDED TO HOLD PIPE SECURELY TO SADDLE.

MATERIAL-CARBON STEEL, T-304 AND T-316

FINISHES-PLAIN, ELECTRO-GALVANIZED, HDG

COMPLIES WITH FEDERAL SPECIFICATION WW-H-171-E (TYPE #38) AND MANUFACTURERS STANDARDIZATION SOCIETY MSS AND SP-69 (TYPE #37)

8" AND LARGER WILL HAVE GUSSETS



DIMENSIONS & WEIGHTS

PIPE SIZE	MAX O.D. SIZE	A	B	C	D	E	APPROX. WT./100
4"	4-7/8"	3-13/16"	2-3/8"	3"	2-1/2"	1/2"	620
5"	5-5/8"	4-3/16"	2-3/8"	3"	2-1/2"	1/2"	660
6"	7"	4-7/8"	2-3/8"	3"	2-1/2"	5/8"	835
8"	9-1/8"	6-15/16"	2-3/8"	3"	2-1/2"	5/8"	1120
10"	11-1/8"	7-15/16"	2-3/8"	3"	2-1/2"	3/4"	1400
12"	13-1/2"	9-1/8"	2-3/8"	3"	2-1/2"	7/8"	1800
14"	14"	10-1/2"	2-7/8"	3"	3"	7/8"	2930
16"	16"	11-1/2"	2-7/8"	3"	3"	7/8"	3225
18"	18"	13-1/2"	3-3/4"	4"	4"	1"	3960
20"	20"	14-1/2"	3-3/4"	4"	4"	1"	4309
22"	22"	15-1/2"	3-3/4"	4"	4"	1"	4660
24"	24"	17-1/2"	3-3/4"	4"	4"	1"	5188
26"	26"	18-1/2"	3-3/4"	4"	4"	1"	5520
30"	30"	20-5/8"	3-3/4"	4"	4"	1"	6948
32"	32"	21-5/8"	3-3/4"	4"	4"	1"	7327
36"	36"	23-5/8"	3-3/4"	4"	4"	1"	8046

TRIPAC

475 KLUG CIRCLE • CORONA, CA 92880-6406
(951) 280-4488 • FAX: (951) 272-4445

A DIVISION OF TRIPAC MARKETING, INC.

WWW.TRIPACONLINE.COM